

SUP040R

RI9846/01-02-03-04-06-07-30
RI9847/01-02

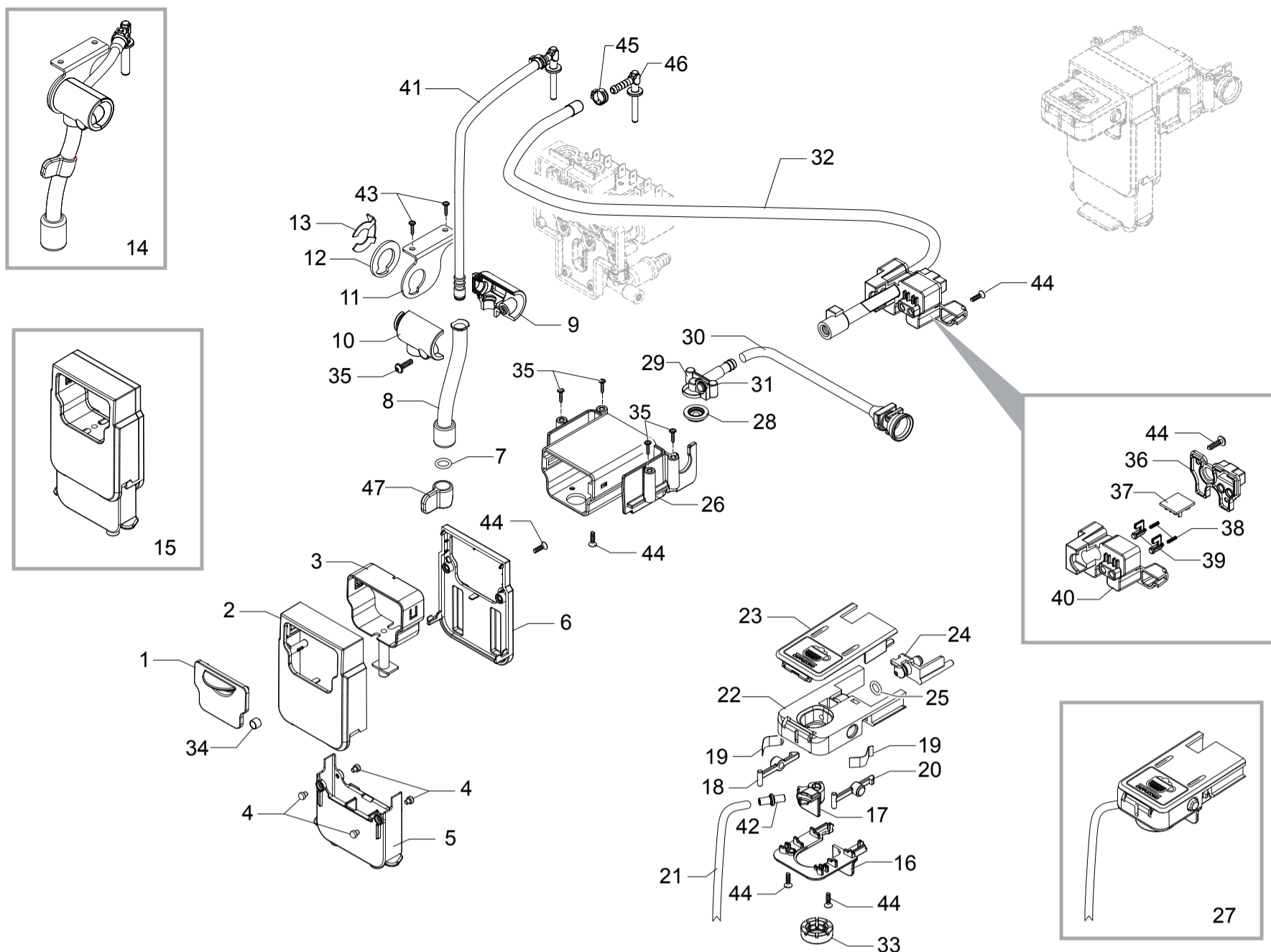


Cod.10003811-4340-73-93-76-4474-4530
Cod.10003812-4473

POS	CODE	DESCRIPTION	NOTE	POS	CODE	DESCRIPTION	NOTE
01	15002812	MANUAL SAE SUP040R RYLO GB		27	17000723	GREY DUMP BOX GUIDE RYL	
	15002813	MANUAL SAE SUP040R RYLO DE		28	11003232	AS.CPU+SW WATER LEVEL SENSOR V2	
	15002814	MANUAL SAE SUP040R RYLO FR		29	17000422	TRANSP.INFRAREDS PLATE RYL	
	15002815	MANUAL SAE SUP040R RYLO ES		30	12000450	SCREW TCBR TORX 10 3,5X12 PLAST.ZN-N	
	15003775	MANUAL SAE SUP040R RYLO BRA		31	20007081	SPARES KIT CRC CASING COVER S/SCR.RYLO	SIL
	15003907	MANUAL SAE SUP040R RYLO KOR			421940813041	SPARES KIT TXO/BLK CASING COVER RYLO/T	BLK
	15003908	MANUAL SAE SUP040R RYLO CHN		32	12001622	SCREW TCB TORX B 3,5X9,5 SCHEET NIK	
	15003922	MANUAL SAE SUP040R RYLO RI 17LANG.		33	17800442	2P.CONN.SENS.REED DUMP BOX CST UL ASSY.	
	15003906	MANUAL SAE SUP040R RYLO/T TWN		34	11025819	BLACK CASING DOOR RYL ASSY.	
02	17000736	RED KEY FOR SAFETY MICRO RYLO		35	17000240	GREY MOUNTING PLATE INSERT RYL	
03	13001328	HAVANA EXTERNAL BOX RYLO SAE		36	127390100	BRUSH FOR CLEANING	
04	17001988	STEEL CASING DOOR LOCK BRACKET RYLO		37	11028379	PSA KLUBERLUB NH1 11-222 TUBE 5GR.	
05	0301.961	STICKER FOR WATER HARDNESS TEST		38	11021769	BLK RIGID FOOT FIXING PIN MYB9	
06	17000779	BLACK STEAM TUBE PROTECTION RYL		39	11021829	BLK/TRANSP.RIGID FOOT MYB9	
07	183911050	BLACK POWER CABLE SCHUKO L=1200					
	17800019	BLACK POWER CABLE BRAZIL L=1200	220V				
	183940650	BLACK POWER CABLE AUSTRALIA L=1200					
	11004247	BLACK POWER CABLE RVV 3X1 CHINA L=1200					
	11001985	BLACK POWER CABLE KOREA L=1200					
	11004246	BLK POWER CABLE TAIWAN HVCTF L=1200					
08	17000828	BLACK CASING BOTTOM PLUG RYLO					
09	12000895	SCREW TSP TORX 10 3X10 PLAST.SS					
10	13001327	HAVANA BOX RYLO SAE AULIKA					
11	11030098	CRC FRONT CASING COVER RYL	SIL				
	421944011851	TXO/BLK FRONT CASING COVER RYL/T	BLK				
12	11025857	BLACK STEEL CASING RYLO ASSY.					
13	17002048	GREY CASING LEFT CLOSING INSERT V2 RYL	SIL				
	421941301161	BLK CASING LEFT CLOSING INSERT RYLO/T	BLK				
14	11030103	CRC FRONT PANEL RYLO					
15	421946004691	3P.CONN.DUMP BOX REED SENS.V2 RYLO ULAS					
16	13001518	PS-E LEFT INSERT FOR BOX RYLO					
17	13001517	PS-E RIGHT INSERT FOR BOX RYLO					
18	11029624	CRC DUMP BOX RYLO ASSY.	SIL				
	421944010831	TXO/BLK DUMP BOX RYLO ASSY.	BLK				
19	12001902	LOCK MERONI 337					
20	129535721	SCREW TSP TORX 10 AB 3,5X9,5 SHEET SS					
21	17000829	BLACK BEAN CONTAINER SENSOR SUPPORT RYLO					
22	0301.041.150	GREY BREW UNIT SUPPORT PLATE ROYAL					
23	0301.020	NIK/BRASS PIN FOR DOOR SUPERAUT.					
24	17001444	BLACK WATER LEVEL SENSOR SUPPORT RYLO					
25	0301.019	NIK/BRASS PIN FOR DOOR SUPERAUT.					
26	17001369	GREY CASING RIGHT CLOSING INSERT V2 RYL	SIL				
	11031307	BLK CASING RIGHT CLOSING INSERT RYL	BLK				



OCS SAECO AULIKA TOP - WATER CONNECTION



SUP040R

RI9846/01-02-03-04-06-07-30
RI9847/01-02

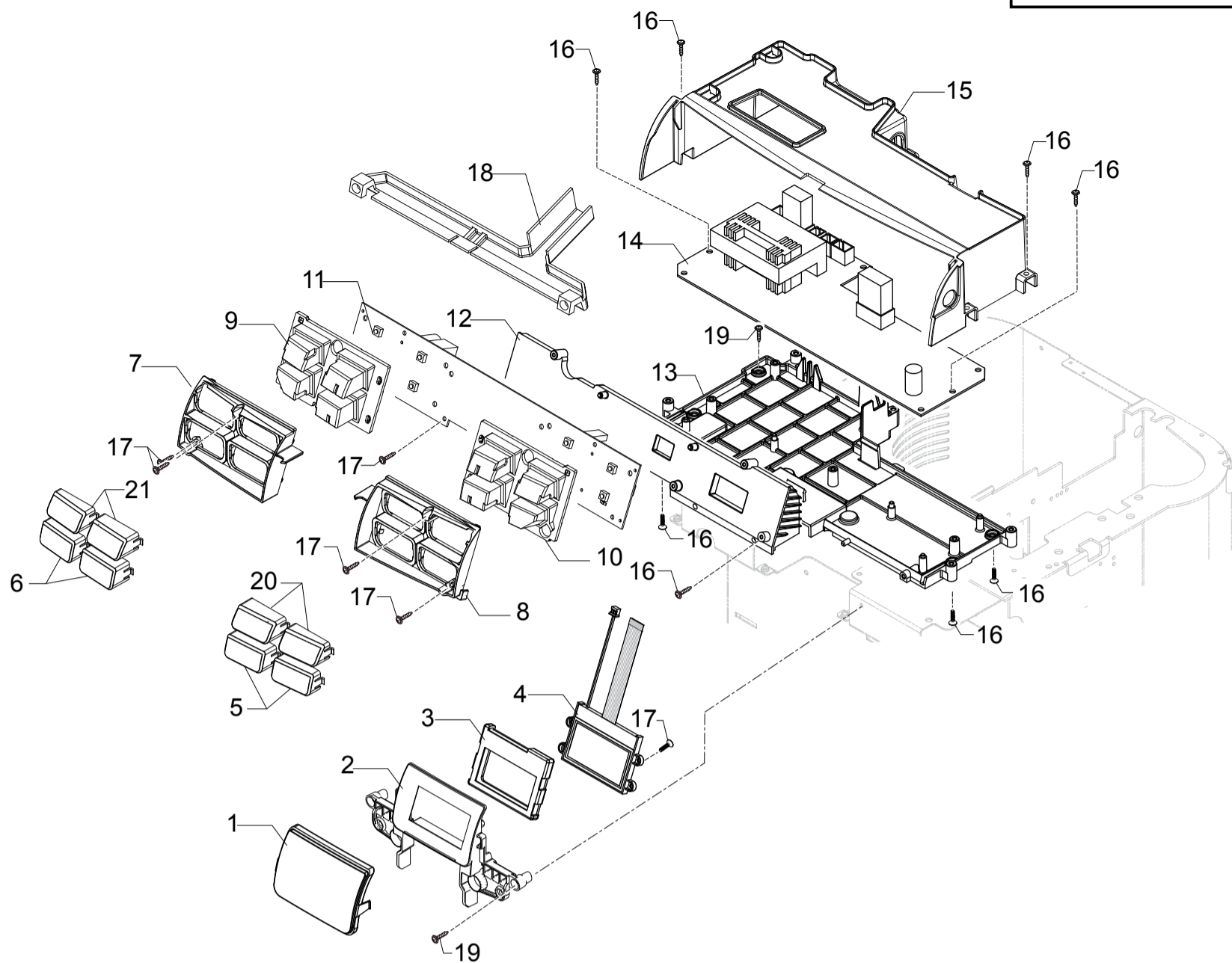


Cod.10003811-4340-73-93-76-4474-4530
Cod.10003812-4473

POS	CODE	DESCRIPTION	NOTE	POS	CODE	DESCRIPTION	NOTE
01	11030104	CRC FRONT COF.DISP.COVER RYL ASSY.		44	12000895	SCREW TSP TORX 10 3X10 PLAST.SS	
02	11025756	GLOSS/SPEC.FRONT COF.DISPENSER COVER RYL		45	NF11.052	OETIKER CLIP	
03	17000251	BLACK INNER BODY COFFEE DISPENS.RYL		46	11031165	TEA/BRASS CAPPUC/STEAM TUBE CONN.V3 RYL	
04	11013085	WHITE COFFEE DISPENSER SLIDER MYB9		47	17001574	BLACK STEAM TUBE HANDGRIP RYLO	
05	17000246	BLACK EXT.MOBILE PART COF.DISPENSER RYL					
06	17000248	BLACK REAR COVER COFFEE DISPENSER RYL					
07	140321961	OR 2031 IN TERMOIL					
08	11029670	TF/CHROM.STEAM TUBE RYLO					
09	17000672	BLACK REAR STEAM TUBE SUPPORT RYL					
10	17001437	BLACK FRONT STEAM TUBE SUPPORT RYL					
11	17000815	STEEL STEAM TUBE SUPPORT PLATE RYL					
12	11001624	BLACK STEAM TUBE WASHER P0049					
13	NF11.084	PHOSPH/STEEL FOLK SPRING					
14	11031415	TF/CHR.TEA/BRASS STEAM TUBE V2 RYLO ASSY					
15	11030101	CRC COFFEE DISPENSER RYL ASSY.					
16	17000390	BLACK LOWER CAPPUCCINATORE LID RYL					
17	17000336	MILK INTAKE TUBE CONNECTOR RYL					
18	17000389	GREY LEFT CAPPUCCINATORE INSERT RYL					
19	17000382	SS CAPPUCCINATORE INSERT SPRING RYL					
20	17000402	GREY RIGHT CAPPUCCINATORE INSERT RYL					
21	11029672	SILICONE TUBE 3,5X6 L=500 MM					
22	17000338	BLACK LEFT ENTRY CAPPUCCINAT.CASING RYL					
23	11030240	BLK UPPER CAPPUC.LID LASER-S/SCR.RYL					
24	17000785	BLACK CAPPUCCINATORE MILK CONNECTOR RYL					
25	NM01.028	OR 106 SILICONE					
26	17000257	BLACK.COFFEE DISPENSER SUPPORT RYL					
27	11029671	BLACK CAPPUCCINATORE S/SCR.RYLO ASSY.					
28	17000337	BLACK SEAL FOR COFFEE DISPENSER RYL					
29	17000616	BLACK COFFEE DISPENSER TUBE RYL					
30	17000614	BLACK DISPENSER COFF.INLET CONNECT.RYL					
31	11014016	SS.INSERT FOR MAGNET MYB9					
32	20007031	BLK CAPPUC.OUTPUT STEAM CONNECT.KIT RYL					
33	17000486	BLK CAPPUCCIN.OUTPUT MILK CONNECTOR RYL					
34	9161.111	MAGNET FOR FLOAT SUPERAUT.					
35	12000450	SCREW TCBR TORX 10 3,5X12 PLAST.ZN-N					
36	17000348	BLK CAPPUCCINATORE BOARD SUPP.COVER RYL					
37	11025772	CAPPUCCINATORE BOARD RYL					
38	17000019	SS CARAFE MICRO INSERT SPRING MYB9					
39	17000421	BLACK CAPPUCCINATORE PRESENCE INSERT RYL					
40	17000339	BLACK CAPPUCCINATORE BOARD SUPPORT RYL					
41	20007030	BLACK OUTPUT STEAM TUBE KIT RYL					
42	17001362	BLK MILK INTAKE TUBE CONNECT.INS.V2 RYL					
43	12001622	SCREW TCB TORX B 3,5X9,5 SCHEET NIK					



OCS SAECO AULIKA TOP - WATER CONNECTION



Saeco
Vending

SUP040R

RI9846/01-02-03-04-06-07-30
RI9847/01-02



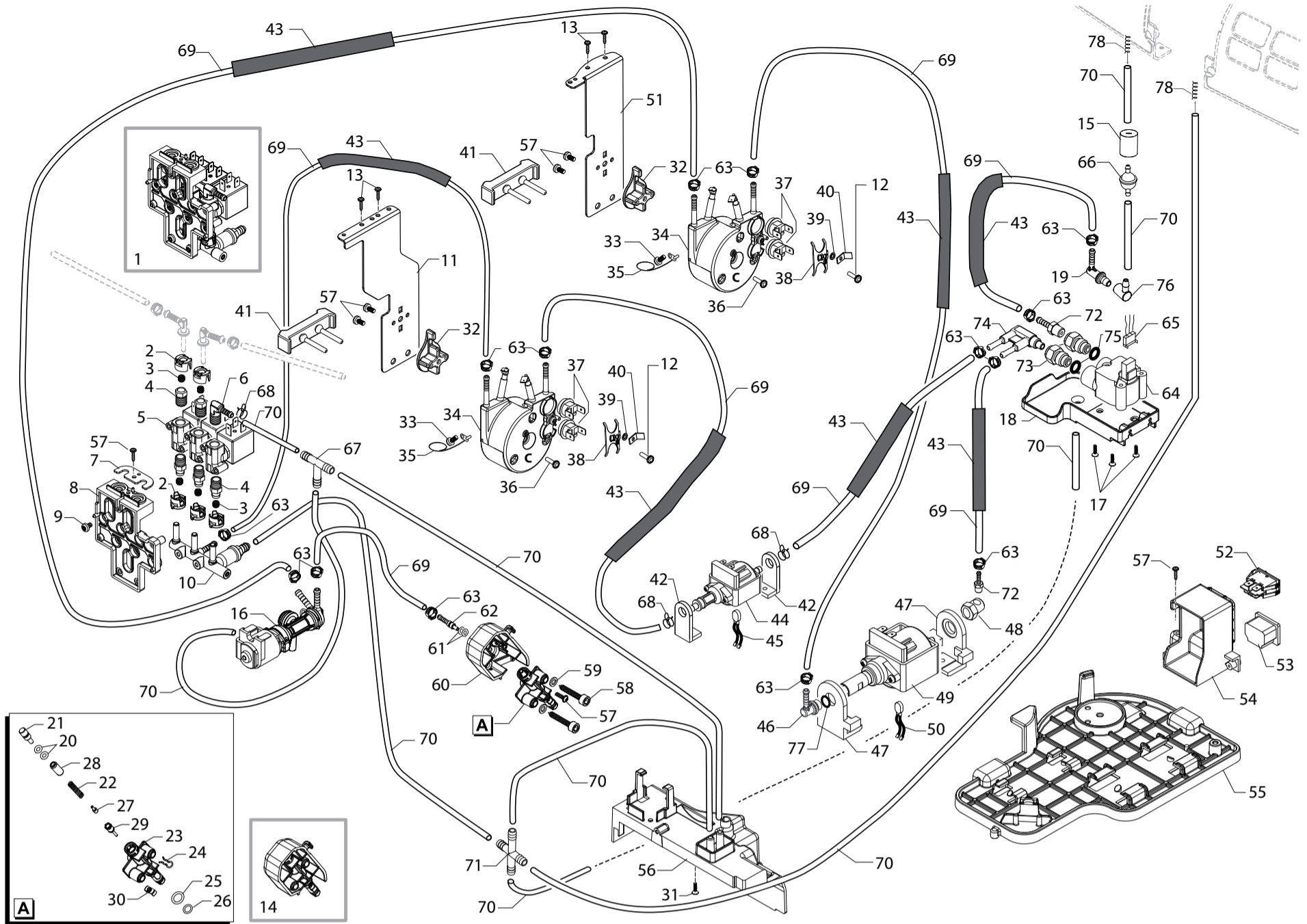
Cod.10003811-4340-73-93-76-4474-4530
Cod.10003812-4473

POS	CODE	DESCRIPTION	NOTE	POS	CODE	DESCRIPTION	NOTE
01	17000269	TRANSP.GLASS FOR DISPLAY RYL					
02	17000259	BLACK DISPLAY INSERT RYL					
03	17000271	BLACK DISPLAY SEAL RYL					
04	12001779	WHITE DISPLAY 160x80 0355DP RYL					
05	11030168	CRC RIGHT LOWER T.PANEL COVER S/SCR.RYLO					
	421944011051	TXOB RIGHT LOW.T.PANEL COVER S/SC.RYLO/T					
06	11030169	CRC LEFT LOWER T.PANEL COVER S/SCR.RYLO					
	421944011061	TXOB LEFT LOW.T.PANEL COVER S/SC.RYLO/T					
07	17000831	BLACK LEFT TOUCH PANEL SUPPORT RYLO					
08	17000830	BLACK RIGHT TOUCH PANEL SUPPORT RYLO					
09	17000485	TRANSP.LEFT TOUCH PANEL RYLO					
10	17000484	TRANSP.RIGHT TOUCH PANEL RYLO					
11	11027084	CPU+SW RYLO ASSY.					
12	17000274	BLACK CPU BOARD SUPPORT RYL					
13	17000275	BLACK PWR BOARD SUPPORT RYL					
14	11030311	PWR BOARD RYLO	220/230V				
	421941302411	PWR BOARD RYLO 120V	120V				
15	17000277	BLACK CPU-PWR BOARDS COVER RYL					
16	12000450	SCREW TCB TORX 10 3,5X12 PLAST.ZN-N					
17	129913202	SCREW TCB TORX 10 3X8 PLAST.ZN-B					
18	17001152	POWER BOARD PROTECTION RYL					
19	12001622	SCREW TCB TORX B 3,5X9,5 SCHEET NIK					
20	11025849	CRC RIGHT UPPER T.PANEL COVER S/SCR.RYLO					
	421944011021	TXOB RIGHT UPP.T.PANEL COVER S/SC.RYLO/T					
21	11025850	CRC LEFT UPPER T.PANEL COVER S/SCR.RYLO					
	421944011041	TXOB LEFT UPP.T.PANEL COVER S/SC.RYLO/T					

Saeco
Vending

OCS SAECO AULIKA TOP - WATER CONNECTION

TABLE 3/9



SUP040R

RI9846/01-02-03-04-06-07-30
RI9847/01-02

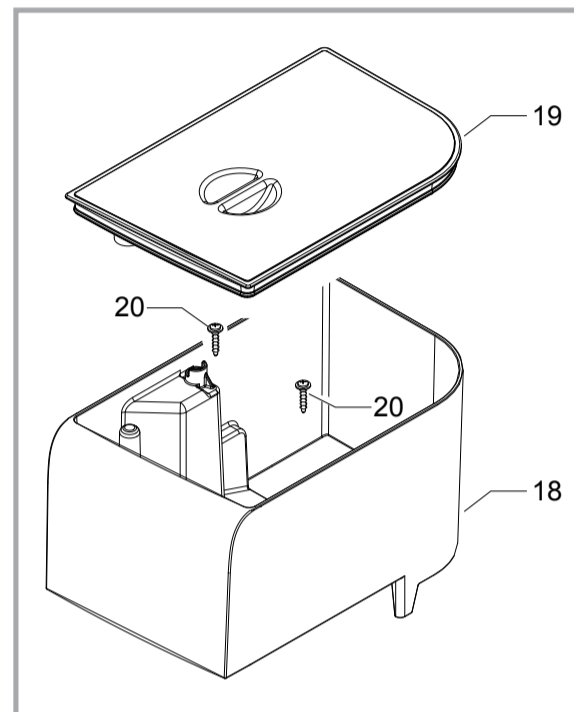
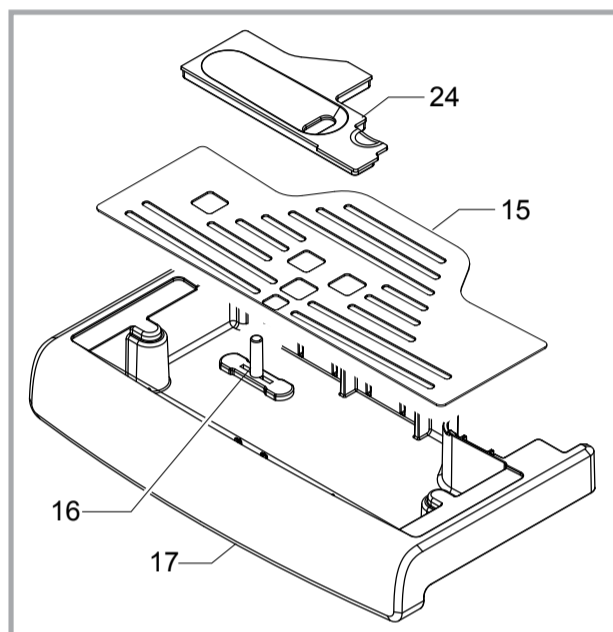
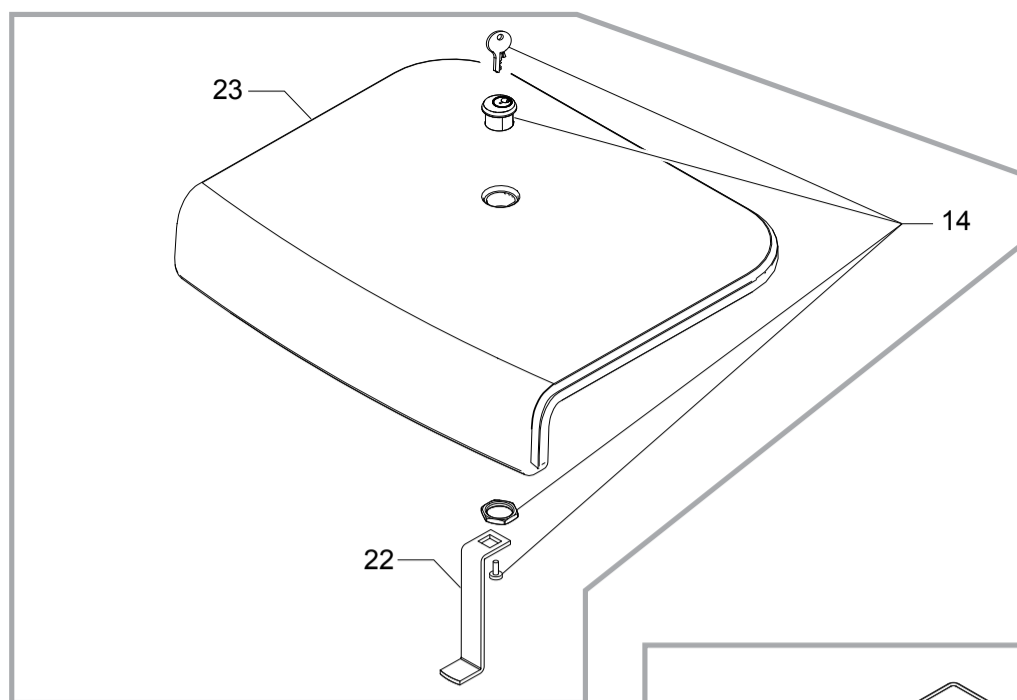
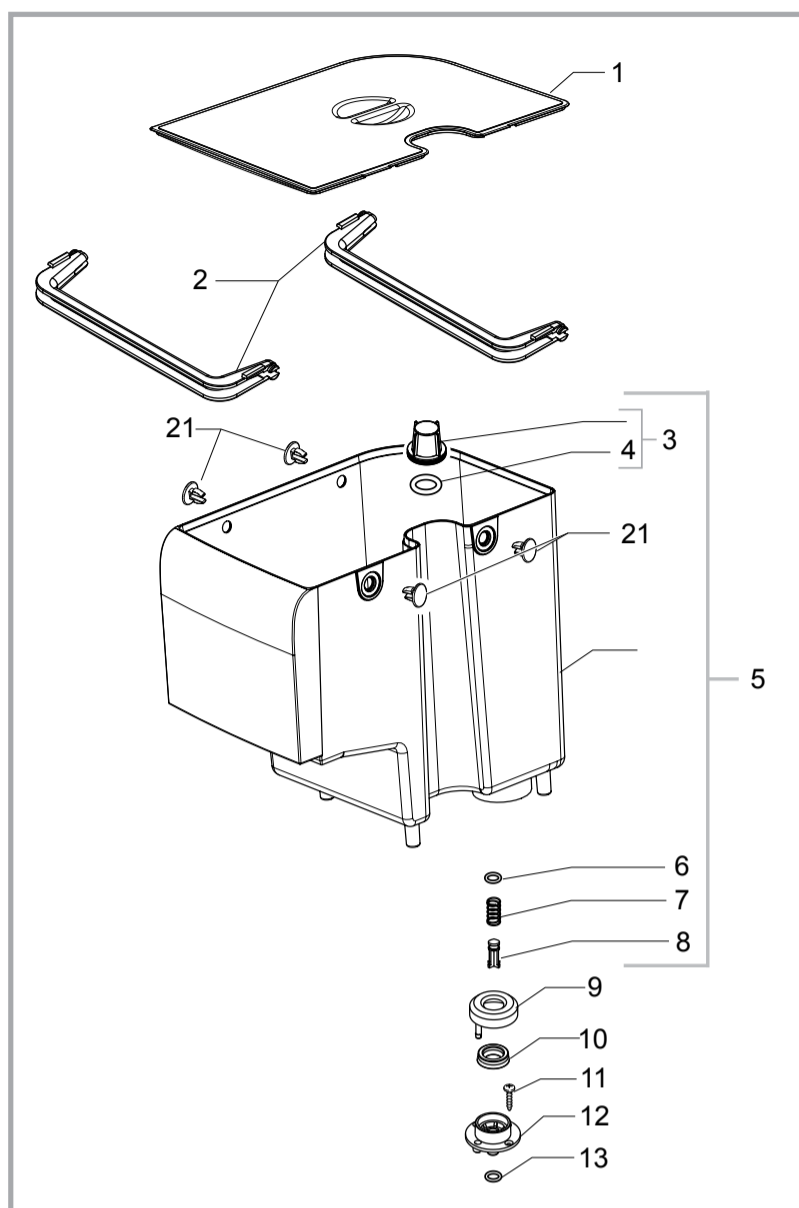


Cod.10003811-4340-73-93-76-4474-4530
Cod.10003812-4473

POS	CODE	DESCRIPTION	NOTE	POS	CODE	DESCRIPTION	NOTE
01	11031414	TEA/BRASS ELECTROV.V3 24V RYL/T ASSY.		47	11022857	BLACK PUMP SUPPORT GMYB	
02	17001178	BLK EV 1/8" GAS.CONNECTOR V2 INSERT RYL		48	9181.350	TEA/BRASS REAR CONNECTOR 1/8" ULKA PUMP	
03	17001909	RED EV CONNECTOR 1/8" GAS V2 RYL		49	12000140	ULKA PUMP EP5/S GW 230V-50HZ	230V-50HZ
04	11027334	TEA/BRASS ELECTROV.CONNECT1/8" GAS V2 RYL			12000182	ULKA PUMP EP5/S GW 220V-60HZ	220V-60HZ
05	17001262	LFBRASS 2W.EV 21JN1RRV20-X005+LBV05024CU			12000131	ULKA PUMP EP5/S 120V-60HZ	120V-60HZ
06	11024469	L-F/BRASS CONNECTOR FOR BOILER AURA		50	17800202	2POLES CONNECTOR COFFEE PUMP RYL UL	
07	17000428	STEEL CONNECTORS FIXING PLATE RYL		51	17000163	STEEL COFFEE TUBOL.BOILER SUPPORT RYL	
08	17000168	BLACK ELECTROV/CONNECTOR SUPP.RYL		52	NE03.038	BIPOLAR SWITCH FUSIT C1250AR	
09	U043.012	SCREW TCB TORX 20 M4X6 ZN-B		53	12001883	CUP SOCKET V3 EN 60320 C 13	
10	17001908	BRASS 4WAYS CONNECT+SAFETY VALVE V3 RYL			12001645	CUP SOCKET V2 EN 60320 C 13	
11	17000166	STEEL STEAM TUBOL.BOILER SUPPORT RYL		54	17000162	BLACK SOCKET-SWITCH SUPPORT RYL	
12	12001715	SCREW TCB TORX 20 M4X8 AUTOFORMING ZN-B			11028204	BLACK SOCKET-SWITCH SUPPORT RYL UL	
13	12001622	SCREW TCB TORX B 3,5X9,5 SCHEET NIK		55	17000973	BLACK COMPONENTS SUPPORT RYLO	
14	11025744	TEA/BRASS HOT WATER PIN RYL ASSY.		56	17000165	BLACK DRIP TRAY PROTECTION RYL	
15	147756562	BLK PROTECTION FOR FOLK SPRING TUBE D=4		57	12000450	SCREW TCB TORX 10 3,5X12 PLAST.ZN-N	
16	11025742	BLOWDOWN VALVE V3 RYL 230V ASSY.	230V	58	11003555	GALVANIZED SELF-TAPPING SCREW 4,8X32	
	11028161	BLOWDOWN VALVE V3 RYL 220V-60HZ ASSY.	220V	59	128310521	WASHER UNI 8842 A5 SS	
	11028187	BLOWDOWN VALVE V3 RYL 120V ASSY.	120V	60	17000156	BLACK HOT WATER PIN SUPPORT RYL	
17	129912104	SCREW TCB TORX 20 4X10 PLAST.ZN-N		61	140328059	OR 2015 SILICONE PTFE/FDA	
18	17000821	BLACK TURBINE SUPPORT RYLO		62	11000750	TEA/BRASS CONNECTOR FOR SILICONE TUBE	
19	17001358	BLK WATER CONT/FLOWMET. 90° CON.RYLO		63	12000892	OETIKER CLAMP D=9,5 16700004	
20	140326662	OR METRIC 0040-20 IN SILICONE		64	NV99.033	DIGMESA TURBINE IN PLASTIC	
21	11026413	TEA/BRASS HOT WATER PIN PLUG RYL		65	17800520	6POLES CONNECTOR FLOWMETER RYLO UL	
22	9011.132	SS SPRING FOR PIN		66	12001595	TRANSP/WHITE ASPIRATION FILTER MDS	
23	9161.434	HOT WATER PIN		67	147920300	TRANS.CONNECTOR D=8 ART.80.26.047 KA.461	
24	9011.144	SS FORK FOR TUBE D=4		68	184320200	SPRING HOSE CLAMP D=9,5MM	
25	NM01.035	OR ORM 0090-20 SILICONE		69	16000380	5X8,9 SILICONE TUBE	IN ROLL
26	NM01.057	OR ORM 0050-20 IN SILICONE		70	JS01.022	SILICONE TUBE 5X10 60SH	IN ROLL
27	11009013	TEA/BRASS PIN FOR PISTON L=10		71	12001812	TRANSP.CROSS CONNECTOR D=8 RYLO	
28	11009012	TEA/BRASS BOILER PIN BUSH		72	11006304	TEA/BRASS CONNECTOR FOR ALUM.BOILER	
29	11009019	TEA/BRASS PISTON L=20,9 ASSY.		73	9181.406	TEA/BRASS CONNECTOR TURBINE MF 1/4 1/8	
30	11005099	NATURAL CURSOR V2 FOR BOILER P119		74	11010243	TEA/BRASS 90° DOUBLE CONNECTOR	
31	129913902	SCREW TCB TORX 10 3X12 PLAST.ZN-B		75	NM01.049	OR ORM 0070-20 SILICONE	
32	11023282	BLACK SLIM TUB.BOILERS SUPPORT MYB9		76	147920150	90° INLET PUMP CONNECTOR	
33	129573402	SCREW TAPT M4X10 DIN 7985 GALV		77	140321961	OR 2031 IN TERMOIL	
34	11013735	SLIM TUB.BOILER ASSY.	230V-1300W	78	0701.081	SPRING FOR TUBE PRODUCT 1	
	11023153	SLIM TUB.BOILER 1300W 120V ASSY.	120V-1300W				
35	190800100	TEMPERATURE SENSOR NTC UL L=280MM			11025705	COFFEE TUB.BOILER RYL ASSY. COMPLETE	230V-1300W
36	12001369	SCREW TSP TORX 10 5X35 PLAST.SS			11025706	STEAM TUB.BOILER RYL ASSY. COMPLETE	230V-1300W
37	12001033	THERMOSTAT ONE SHOT 190°			11028182	COFFEE TUB.BOILER 120V RYL/T ASSY.	120V
38	11001751	TUB.BOILER V3 UPPER THERM.FIXING SPRING			11028183	STEAM TUB.BOILER 120V RYL ASSY.	120V
39	128310402	GALV.WASHER UNI 8842 A4					
40	124390520	BRASS BENT FASTON 45° 6,3X0,8					
41	17000471	BLACK BOILER ANTIVIBRATION RYL					
42	11029554	BLACK/SBD ULKA MF PUMP SUPPORT					
43	16000540	TRANSPAR. 10,5X12,3 SILICONE TUBE	IN ROLL				
44	12001212	ULKA PUMP MF 230V-50HZ	230V-50HZ				
	12001348	ULKA PUMP MF 220V-50/60HZ	220V-50/60HZ				
	12001346	ULKA PUMP MF 120V-60HZ	120V-60HZ				
45	17800203	2POLES CONNECTOR STEAM PUMP RYL UL					
46	11001054	BLK PUMP OUTLET 90°CONNECTOR P0049/B					



OCS SAECO AULIKA TOP - WATER CONNECTION



SUP040R

RI9846/01-02-03-04-06-07-30
RI9847/01-02

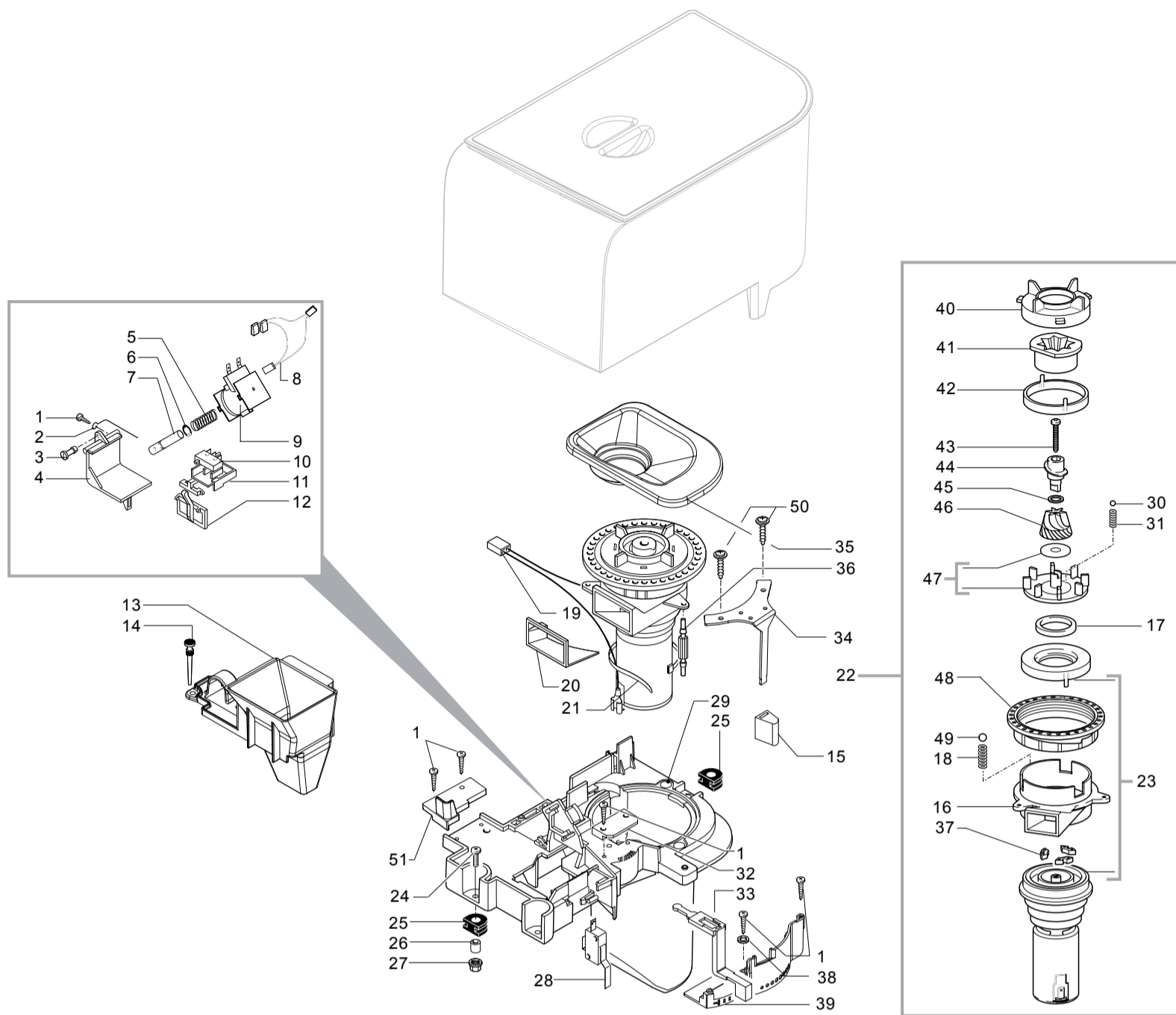


Cod.10003811-4340-73-93-76-4474-4530
Cod.10003812-4473

POS	CODE	DESCRIPTION	NOTE	POS	CODE	DESCRIPTION	NOTE
01	11025848	BLACK WATER CONTAINER LID RYLO					
02	11025847	BLACK HANDLE WATER CONTAINER LID RYLO					
03	224640200	WHITE WATER CONTAINER EXT.FILTER ASSY.					
04	140328461	EPDM OR METRIC 0190-10					
05	11025846	NAT/GREY WATER CONTAINER RYLO ASSY.					
06	140324362	OR METRIC 0060-30 IN SILICONE					
07	126764718	SS WATER CONTAINER VALVE SPRING					
08	147660562	GREY PISTON FOR WATER CONTAINER VALVE					
09	0701.031.150	GREY WATER VALVE GACO DIM 14 SEAL COVER					
10	145842900	NBR WATER CONT.VALVE GACO DIM14 SEAL					
11	12000895	SCREW TSP TORX 10 3X10 PLAST.SS					
12	0701.014.150	GREY WATER VALVE GACO DIM 14 SEAL CONT.					
13	140320461	OR ORM 0080-20 IN TERMOIL					
14	12001902	LOCK MERONI 337					
15	11029899	SB/SS DRIP TRAY GRATE RYL					
16	17000991	RED FLOAT V2 FOR DRIP TRAY RYL					
17	11030099	CRC DRIP TRAY RYL ASSY.					
	11031093	TXO/BLK DRIP TRAY RYL ASSY.					
18	11025841	NAT/GREY BEAN CONTAINER RYLO					
19	11025844	BLACK BEAN COFFEE CONTAIN.LID RYLO ASSY.					
20	12001431	SCREW TCB TORX 10 3X12 PLAST.SS					
21	17001255	BLACK PLUG FOR WATER CONTAIN.HANDLE RYL					
22	17001987	STEEL CONTAINERS LID LOCK BRACKET RYLO					
23	11025829	CRC CONTAINERS LID RYLO TO ASSY.					
	421941301061	TXO/BLK CONTAINERS LID RYLO TO ASSY.					
24	17000982	BLACK DRIP TRAY COVER RYL					



OCS SAECO AULIKA TOP - WATER CONNECTION



Saeco
Vending

SUP040R

RI9846/01-02-03-04-06-07-30
RI9847/01-02



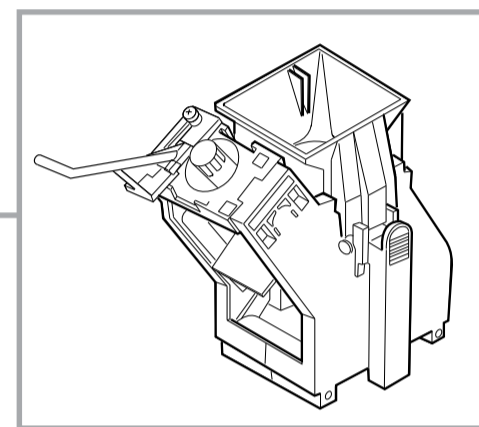
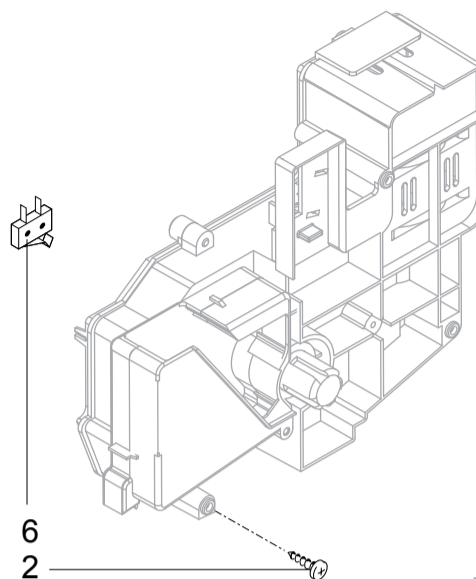
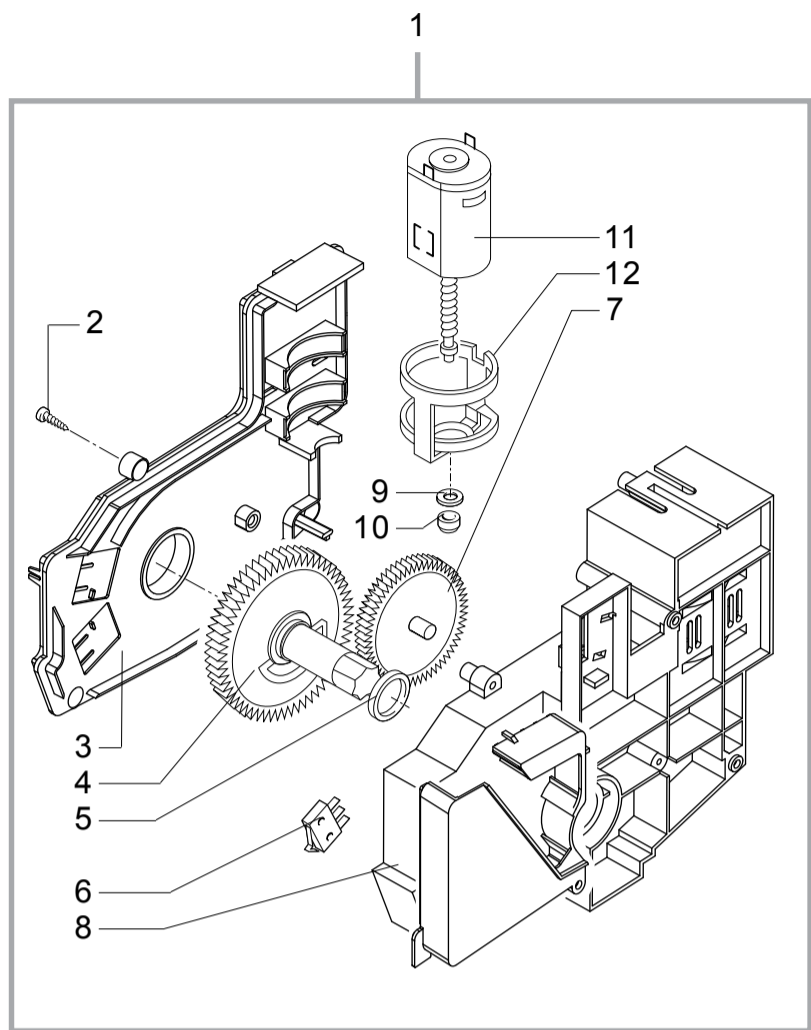
Cod.10003811-4340-73-93-76-4474-4530
Cod.10003812-4473

POS	CODE	DESCRIPTION	NOTE	POS	CODE	DESCRIPTION	NOTE
01	129913902	SCREW TCB TORX 10 3X12 PLAST.ZN-B		42	142844550	UPPER GRINDER COVER COFFEE GRIND. MAGIC	
02	9161.048	SCRAPER ROD		43	129931002	TORX SCREW T10 TCB 3,5X40 SX ZNG	
03	9161.076.150	DOSER DOOR PIN GREY		44	147470763	INCREASE SCREW PIN COFFEE GRINDER MAGIC	
04	9161.074.150	DOSER DOOR GREY		45	U201.002	PLAIN WASHER 10X16X0,2DIN 988 GAL	
05	126764818	SPRING ELECTROM.BEAN DOSER MAGIC		46	226477700	KIT ITAL MILL GRINDERS	WITH PART.N°41
06	U701.003	SNAP RING 7 UNI 7434		47	149188750	CONICAL GRIND. SUPP. + RING MAGIC	
07	9161.041	DOSER ELECTROMAGNET CORE		48	146570950	RING NUT FOR GRINDING ADJUSTMENT MAGIC	
08	421946000541	4POLES CONN.COIL+DOSER MICRO V2 RYL UL		49	128610421	STAIL.STEEL AISI 304 SPHERE D=3,2MM	
09	11025734	DOSER COIL FOR SUPERAUTOM.24V DC ASSY.		50	12000450	SCREW TCB TORX 10 3,5X12 PLAST.ZN-N	
10	NE05.017	MICROSWITCH		51	17001155	GREY COVER FOR DOSER HOLE RYL	
11	9161.072.150	MICRO SUPPORT CURSOR GREY					
12	9161.073.150	DOSE CONTROL COMPENSATOR GREY					
13	17000176	BLACK HOPPER FOR POWDER COFFEE RYL					
14	9161.082	RUBBER COUPLER					
15	0333.009	BLK GRINDING ADJUST.LEVER HANDGRIP ROYAL					
16	9141.080	MOTOR SUPPORT					
17	140360200	FELT RING 40X34X5					
18	126770117	NEW SPRING SPHERE D=3,2 MOTOR MAGIG					
19	17800209	2POLES CONNECTOR GRINDER MOTOR RYL UL					
20	1505.014	COFFEEGRINDER SEAL					
21	144320200	SELF LOCK STRIP W=2.6 L=200					
22	9140.036.00A	COFFEE GRINDER STD 230V ASSY.	230V				
	9140.036.00F	ASS.MOTOR STD 120V	120V				
23	0301.R10.00A	SPARE MOTOR UNIT MC	230V				
	0301.R10.00F	SPARE MOTOR UNIT MC 120V	120V				
24	U043.004	ZN-B TCB SCREW M4X16					
25	9991.005	RUBBER FOR COFFEE GRINDER					
26	9141.003	SPACER FOR RUBBER					
27	U324.006	NUT M4 FLANGED INDENTED BASE					
28	12001605	MICROSWITCH					
29	9161.365.150	GREY PLATE COFFEEGRINDER MAGIC/ROYAL					
30	128610521	STAIL.STEEL AISI 304 SPHERE D=5,5MM					
31	126765517	STEEL SPRING SPHERE D=5,5 MOTOR MAGIC					
32	9161.097.150	LEVER FIXING PLATE GREY					
33	0313.003.150	ADJUSTMENT LEVER GREY RAL 7016					
34	0333.008	STEEL GRINDING ADJUSTMENT LEVER					
35	17000238	COFFEE GRINDER SOUNDPROOFING COVER RYL					
36	9991.103	ANTIVIBRATION FOR COFFEEGRINDER					
37	140230400	SHOCK ABS .CONICAL GRINDER SUPP.MAGIC					
38	U201.001	PLAIN WASHER 3,2X9 DIN 7349 GALV.					
39	17000832	GRY COFF.GRINDING/DOSE ADJUST.SCALE RYLO					
40	149186150	BLACK UPPER GRINDER SUPPORT MAGIC					
41		PARTICULAR NOT AVAILABLE	SEE PART.N°46				

Saeco
Vending

OCS SAECO AULIKA TOP - WATER CONNECTION

TABLE 6/9



SUP040R

RI9846/01-02-03-04-06-07-30
RI9847/01-02

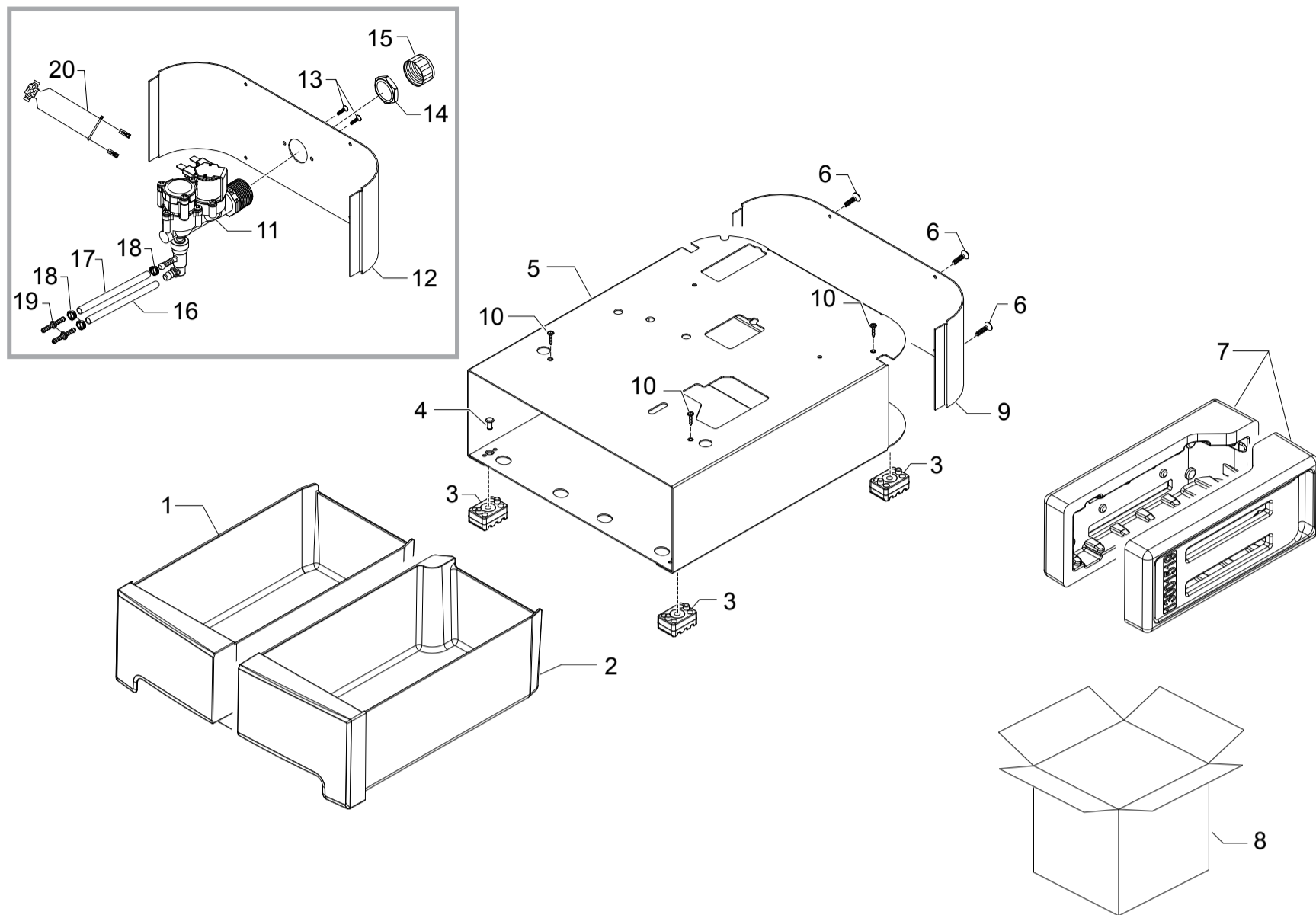


Cod.10003811-4340-73-93-76-4474-4530
Cod.10003812-4473

POS	CODE	DESCRIPTION	NOTE	POS	CODE	DESCRIPTION	NOTE
01	11025736	RATIOMOTOR RYL ASSY.					
02	129670202	TCB PANELVIT SCREW 3,5X16 TESTA D=8 ZNP					
03	17000719	GREY RATIOMOTOR LID RYL					
04	11007137	BLACK GEAR Z=77 V2 FOR RATIOMOTOR P124					
05	9161.368	MYLAR WASHER FOR RATIOMOTOR					
06	NE05.038	MICROSWITCH					
07	146002800	GREY GEAR Z=13/90 FOR RATIOMOTOR P124					
08	11026258	GREY RATIOMOTOR CASING WITH TUBE ASSY.					
09	148380200	BAKELIZZATE WASHER D=5,5					
10	9121.046	BRONZE SINTERED BUSH FOR MOTOR RATIOMOT.					
11	11005214	MOTOR FOR RATIOMOTOR P124 ASSY.					
12	9121.044	ANTIVIBRATION FOR MOTOR					
13	11003800	BLACK BREW UNIT MAGIC/ROYAL					



OCS SAECO AULIKA TOP - WATER CONNECTION



Saeco
Vending

SUP040R

RI9846/01-02-03-04-06-07-30
RI9847/01-02



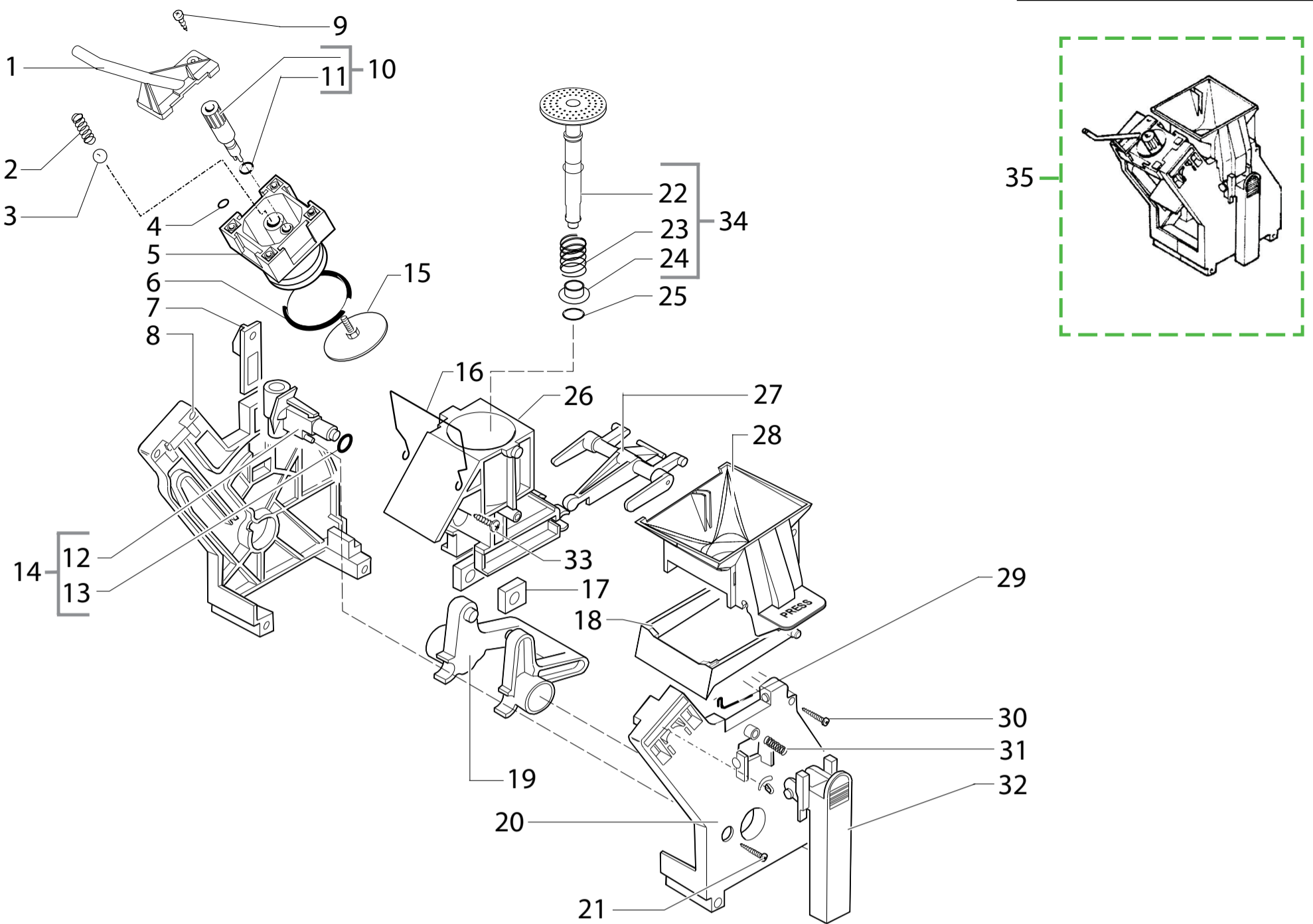
Cod.10003811-4340-73-93-76-4474-4530
Cod.10003812-4473

POS	CODE	DESCRIPTION	NOTE	POS	CODE	DESCRIPTION	NOTE
01	11029731	CRC BASE REPOSITORY DRAWER RYLO					
	421941302441	TXO/BLK BASE REPOSITORY DRAWER RYLO					
02	11029719	CRC BASE DUMP BOX RYLO ASSY.					
	421941302531	TXO/BLK BASE DUMP BOX RYLO ASSY.					
03	11021829	BLACK/TRANSP.RIGID FOOT MYB9					
04	11021769	BLACK RIGID FOOT FIXING PIN MYB9					
05	421946005111	BLK STEEL BASE CASING V2 RYLO ASSY.					
06	12001622	SCREW TCB TORX B 3,5X9,5 SCHEET NIK					
07	13001519	PS-E INSERT FOR BOX BASE RYLO					
08	13001676	HAVANA BOX V2 BASE RYLO					
09	11029700	BLACK BASE REAR PANEL RYLO					
10	129914302	SCREW TORX M4X10 TESTA D=8X1,5 GALV					
11	17001582	CONNECT.WATER SUPPLY RYLO RI ASSY.	ONLY WATER CON.				
12	11029701	BLACK BASE REAR PANEL RYLO RI	ONLY WATER CON.				
13	129912104	SCREW TCB TORX 20 4X10 PLAST.ZN-N	ONLY WATER CON.				
14	NV99.075	RING NUT NYLON G3/4" 6 MM.	ONLY WATER CON.				
15	NV03.002	CAP 3/4 "KAPSTO 800R 3/4"	ONLY WATER CON.				
16	JS01.022	SILICONE TUBE 5X10 60SH IN ROLL	ONLY WATER CON.				
17	16000380	5X8,9 SILICONE TUBE IN ROLL	ONLY WATER CON.				
18	12000892	OETIKER CLAMP D=9,5 16700004	ONLY WATER CON.				
19	17001018	BLACK WATER SUPPLY CONNECTOR RYLO RI	ONLY WATER CON.				
20	421946001221	3P.CONN.SUPPLY COIL V2 RYLO RI UL ASSY.	ONLY WATER CON.				

Saeco
Vending

OCS SAECO AULIKA TOP - WATER CONNECTION

TABLE 8/9



SUP040R

RI9846/01-02-03-04-06-07-30
RI9847/01-02



Cod.10003811-4340-73-93-76-4474-4530
Cod.10003812-4473

POS	CODE	DESCRIPTION	NOTE	POS	CODE	DESCRIPTION	NOTE
01	11003789	BLACK COFFEE OUTLET SLEEVE					
02	9161.222	CONICAL SPRING					
03	9991.168	GLASS SPHERE D.5MM					
04	11021334	BLK COUNTERPISTON SEAL DE=11 DI=8 SP=1,5					
05	11003796	BLACK COUNTERPISTON FOR COFFEE UNIT					
06	NM01.044	OR ORM 0320-40 IN SILICONE PTFE/FDA					
07	11004114	BLACK PLATE FOR UNIT COUPLING					
08	11003792	BLACK REAR PLATE FOR UNIT					
09	U140.019	SCREW TCB TORX 10 3X16 PLAST SS					
10	227470150	PIN BLACK ASS.FOR PERCOLATOR					
11	NM02.006	OR R5 TERMOIL					
12	9161.064.050	BLACK WATER INLET SLEEVE BREW UNIT					
13	NM02.007	OR 2025 TERMOIL					
14	20000440	BLACK SPARE SLEEVE UNIT					
15	9160.075	PERCOLATOR DE=35,8 ELFO ASSY.					
16	11001556	SPRING H=49 FOR COFFEE BREW UNIT SMART					
17	9161.094.050	BLACK DRILLED BLOCK BREW UNIT					
18	11004161	BLACK SCRAPER FOR COFFEE UNIT					
19	9161.066.050	ELBOW SHAFT FOR UNIT BLACK					
20	11003793	BLACK FRONT PLATE FOR UNIT					
21	12000550	SCREW TCB TORX 10 3X25 PLAST.SS					
22	11003077	BLACK INTEGRAL PISTON UNIT P124 8GR.ASS					
23	9161.198	PISTON SPRING BREW UNIT M5000					
24	9161.191	NEUTRAL PISTON BUSH BREW UNIT M5000					
25	NM02.018	OR ORM 0090-25 TERMOIL					
26	11003075	BLACK COFFEE CONTAINER BREW UNIT P124	WITH PART.N°25				
27	11003078	BLACK CONNECTING ROD FOR UNIT P124 8GR.					
28	11003795	BLACK HOPPER FOR UNIT W/SILKSCREEN PRESS					
29	9161.046	SPRING FOR UNIT SCRAPER					
30	12000897	SCREW TCB TORX 10 3,5X20 PLAST.SS					
31	9161.045	SPRING FOR UNIT HANDGRIP					
32	11003791	BLACK HANDGRIP FOR COFFEE UNIT					
33	129912521	SCREW TCB TORX 10 3,5X14 PLAST.SS					
34	11023086	BLK 8GR.BREW UNIT NTEGR.PISTON GEN.ASSY.					
35	11003800	BLACK BREW UNIT MAGIC/ROYAL					



OCS SAECO AULIKA TOP - WATER CONNECTION