

LAVAZZA

BLUE

BEST LAVAZZA ULTIMATE ESPRESSO



Spare parts handbook





LB 1000 BLUE FAMILY

Machine code

Direct Market

10080601

10080647 ORANGE

10080648 RED

10080649 AZURE

10080655 DARK GREY

10080656 GOLD

10080657 SILVER

D.A.

10080664

10080658 SILVER

10080659 ORANGE

10080660 RED

10080661 AZURE

10080662 DARK GREY

10080663 GOLD

Manual code

10083341

Rel. 4.00

Edition 03/2008

© Copyright LAVAZZA S.p.A.



Tel. 0039.011.2398429
Fax 0039.011.23980466
technicalservice@lavazza.it



ATTENTION

Use only original spare parts. The manufacturer is not responsible for damage derived from the use of not original spare parts.



ENVIROMENT

The replaced components should be delivered to an appropriate collection centre to their disposal.



INDEX SPARE PARTS

1 CASE

2 CAPSULE INSERTING UNIT

3 HYDRAULIC/DISPENSING UNIT

4 DISPENSING UNIT

5 BOILER

6 BOILER HYDRAULIC SYSTEM

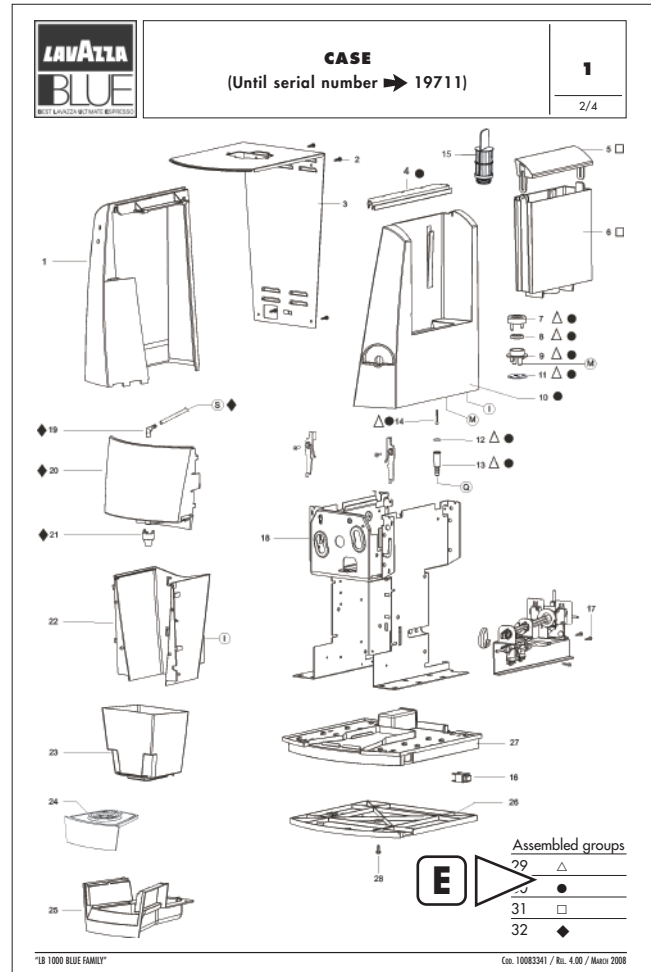
7 ELECTRICAL COMPONENTS

8 APPENDIX

READING GUIDE

A		B		C		D	
				(Until serial number → 19711)		1	
						1/4	
N°	LAVAZZA CODE	DESCRIPTION	NOTES				
1	10079701	LEFT SIDE TINTED					
2	10079709	PARKER SCREW TORX 3.5X1.6					
3	10060901	KIT 50 PARKER SCREW 3,5x1.6 TORX ZB					
4	10079707	BACK STAINLESS STEEL PANEL					
5	10079706	RIGHT SIDE COVER	(●)				
6	10079712	TANK COVER TINTED	(□)				
7	10079713	PAD PRINTED WATER TANK	(□)				
8	10088129	COVER FOR TANK VALVE	(●) (△)				
9	10079740	TANK GASKET DI-062	(●) (△)				
10	10079716	VALVE PLATE	(●) (△)				
11	10079717	RIGHT SIDE TINTED	(●)				
12	10079852	GASKET FOR TANK VALVE	(●) (△)				
13	10079853	O RING M0080-10 8x1 NBR	(●) (△)				
14	10079714	PISTON DUMP VALVE	(●) (△)				
15	10079783	DUMP VALVE PIN	(●) (△)				
16	10079700	ANTI-SCALE FILTER FOR LB 1000					
17	10079759	RED ILLUM.BIP. SWITCH 250V 16A GW L4					
18	10060915	KIT 20 RED ILL.BIP.SWITCH 250V 16A GW L4					
19	10088022	PARKER SCREW 3.5X9.5					
20	10060917	KIT 50 PARKER SCREW 3,5x9,5					
21	10079746	CASE					
22	10079747	SPOUT	(◆)				
23	10079748	TINTED FRONT PANEL	(◆)				
24	10079749	SPOUT COVER	(◆)				
25	10079750	CLIP SPACE					
26	10079751	CAPSULE DRAWER TINTED					
27	10079752	CUP SUPPORT GRID TINTED					
28	10079753	DROP DRAWER TINTED					
29	10079756	LOWER BASE					
30	10079755	UPPER BASE					
31	10079758	PARKER SCREW 4.2X1.3					
32	10060914	KIT 25 PARKER SCREW 4,2x1.3					

"LB 1000 BLUE FAMILY" Cod. 10083341 / Rel. 4.00 / March 2008



A) REFERENCE: The reference number for each individual part represented in the drawing. Where the same number covers more than one code, refer to the notes for more details.

B) CODE: The code for each individual part

C) DENOMINATION: The name of the individual parts

D) NOTES: Further details regarding the individual parts

50 piece kit

Part supplied only in kits of 50 pieces

Assembled (●) = Part only supplied already assembled with other parts bearing the same symbol

(●) = Part included in the assembled group bearing the same symbol but which can also be ordered separately

➡ 00000 = UNTIL THE SERIAL NUMBER

00000 ➡ = FROM SERIAL NUMBER

E) ASSEMBLED GROUPS: Number with the relative symbol of the part that can be supplied already assembled.

ATTENTION

In all spare parts orders sent directly to Luigi Lavazza S.p.A, state only the Kit codes (where available) and not the individual part codes.

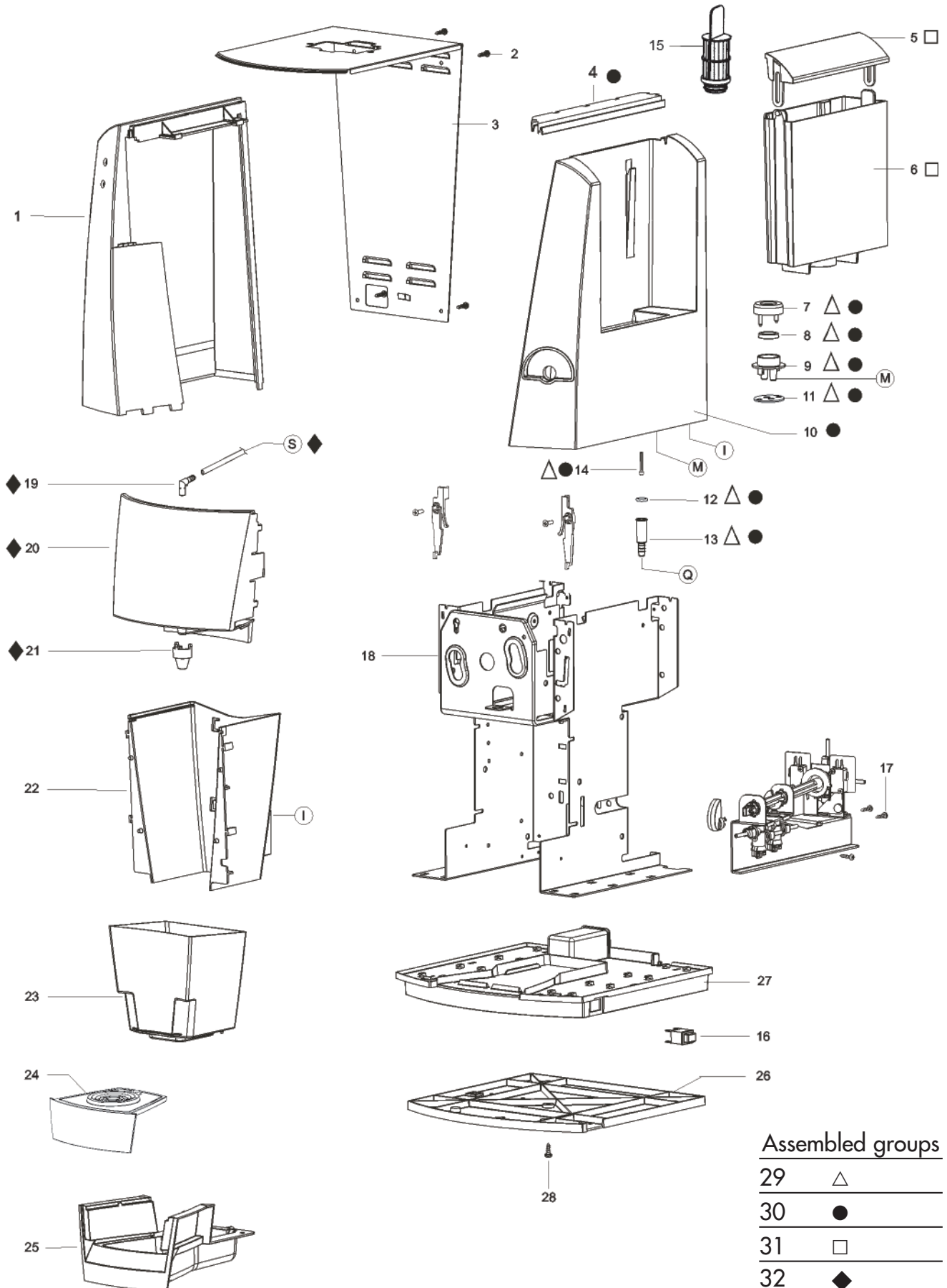


CASE
(Until serial number ➔ 19711)

1

1/4

REF	LAVAZZA CODE	DESCRIPTION	NOTES
1	10079701	LEFT SIDE TINTED	
2	10079709	PARKER SCREW TORX 3.5X16	
	10060901	KIT 50 PARKER SCREW 3,5X16 TORX ZB	
3	10079707	BACK STAINLESS STEEL PANEL	
4	10079706	RIGHT SIDE COVER	(●)
5	10079712	TANK COVER TINTED	(□)
6	10079713	PAD PRINTED WATER TANK	(□)
7	10088129	COVER FOR TANK VALVE	(●) (△)
8	10079740	TANK GASKET DI-062	(●) (△)
9	10079716	VALVE PLATE	(●) (△)
10	10079717	RIGHT SIDE TINTED	(●)
11	10079852	GASKET FOR TANK VALVE	(●) (△)
12	10079853	O RING M0080-10 8x1 NBR	(●) (△)
13	10079714	PISTON DUMP VALVE	(●) (△)
14	10079783	DUMP VALVE PIN	(●) (△)
15	10079700	ANTI-SCALE FILTER FOR LB 1000	
16	10079759	RED ILLUM.BIP. SWITCH 250V 16A GW L4	
	10060915	KIT 20 RED ILL.BIP.SWITCH 250V 16A GW L4	
17	10088022	PARKER SCREW 3.5X9.5	
	10060917	KIT 50 PARKER SCREW 3,5x9,5	
18	10079746	CASE	
19	10079747	SPOUT	(◆)
20	10079748	TINTED FRONT PANEL	(◆)
21	10079749	SPOUT COVER	(◆)
22	10079750	CUP SPACE	
23	10079751	CAPSULE DRAWER TINTED	
24	10079752	CUP SUPPORT GRID TINTED	
25	10079753	DROP DRAWER TINTED	
26	10079756	LOWER BASE	
27	10079755	UPPER BASE	
28	10079758	PARKER SCREW 4.2X13	
	10060914	KIT 25 PARKER SCREW 4,2x13	



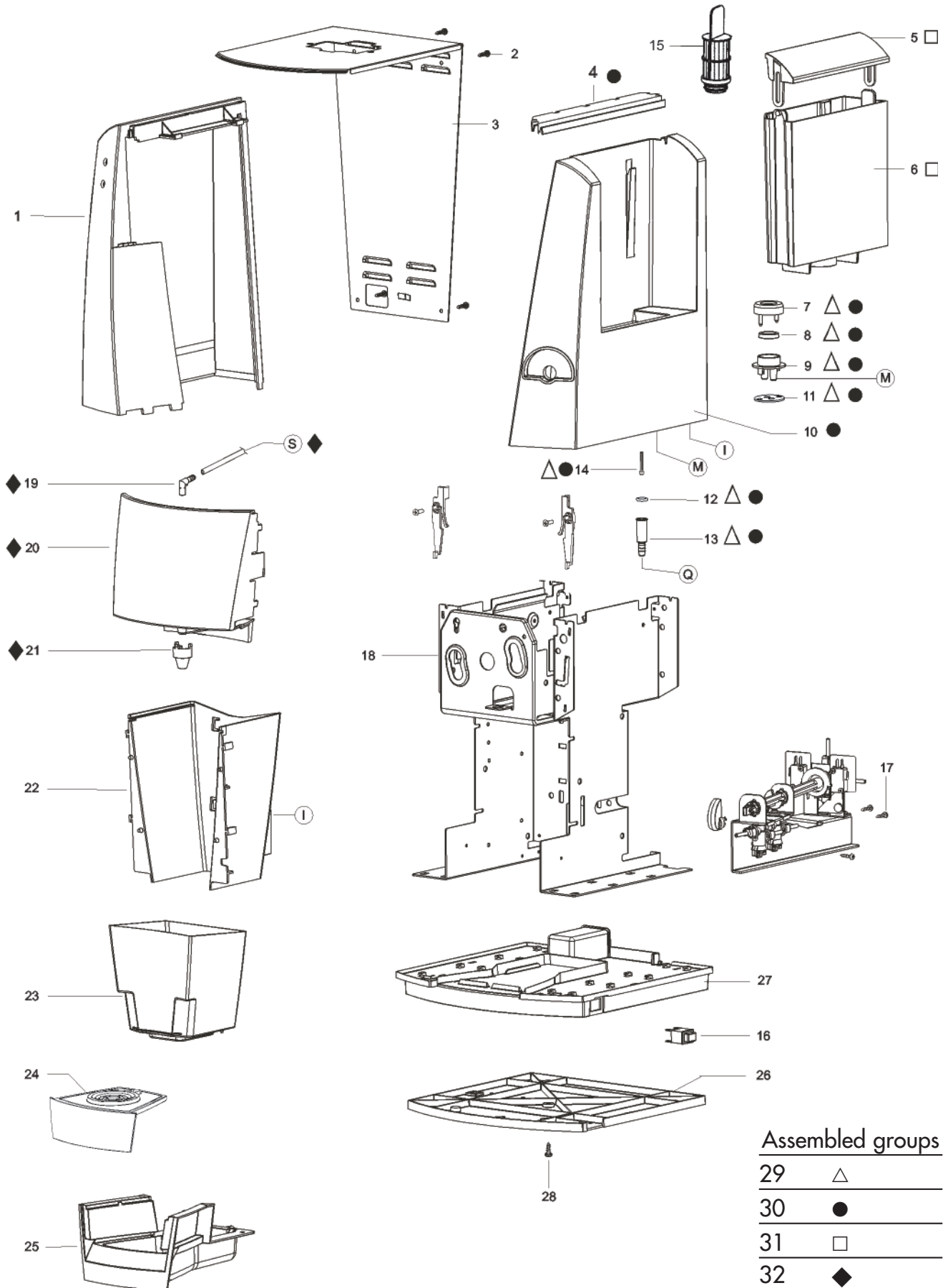


CASE
(Until serial number ➡ 19711)

1

3/4

REF	LAVAZZA CODE	DESCRIPTION	NOTES
29	10079858	COMPLETE TANK VALVE	Assembled (△)
30	10079836	ASSEMBLED RIGHT SIDE PANEL TINTED	Assembled (●)
31	10079851	COMPLETE WATER TANK	Assembled (□)
32	10079859	ASSEMBLED FRONT PANEL GREY	Assembled (◆)



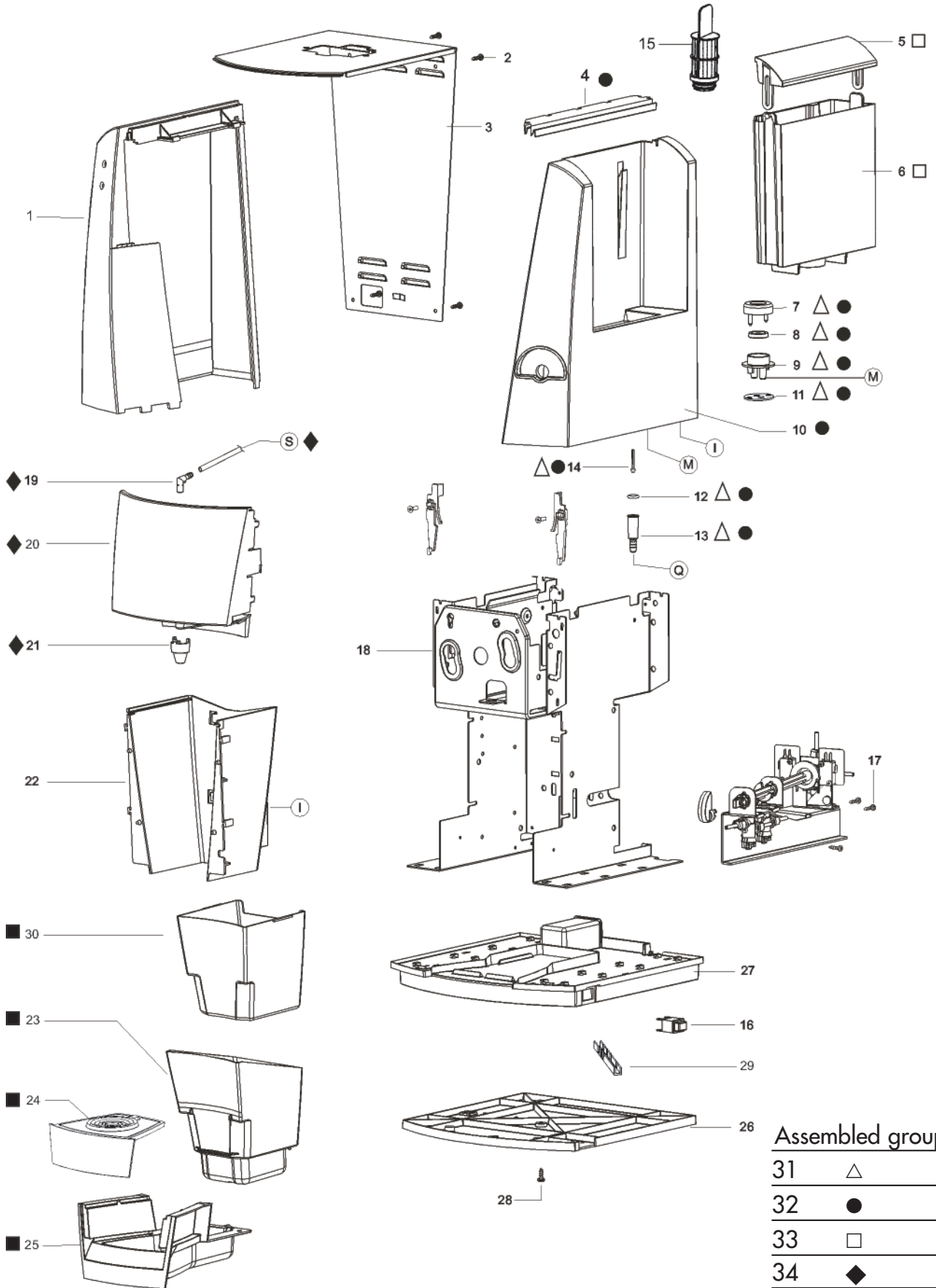


CASE
(From serial number 19712 to serial number 76099)

1/A

1/4

REF	LAVAZZA CODE	DESCRIPTION	NOTES
1	10079935	LEFT SIDE TINTED	
2	10079709	PARKER SCREW TORX 3.5X16	
	10060901	KIT 50 PARKER SCREW 3,5x16 TORX ZB	
3	10079707	BACK STAINLESS STEEL PANEL	
4	10079706	RIGHT SIDE COVER	(●)
5	10079712	TANK COVER TINTED	(□)
6	10079713	PAD PRINTED WATER TANK	(□)
7	10088129	COVER FOR TANK VALVE	(●) (Δ)
8	10079740	TANK GASKET DI-062	(●) (Δ)
9	10079716	VALVE PLATE	(●) (Δ)
10	10079717	RIGHT SIDE TINTED	(●)
11	10079852	GASKET FOR TANK VALVE	(●) (Δ)
12	10079853	O RING M0080-10 8x1 NBR	(●) (Δ)
13	10079714	PISTON DUMP VALVE	(●) (Δ)
14	10079783	DUMP VALVE PIN	(●) (Δ)
15	10079700	ANTI-SCALE FILTER FOR LB 1000	
16	10079759	RED ILL.BIP.SWITCH 250V 16A GW L4	
	10060915	KIT 20 RED ILL.BIP.SWITCH 250V 16A GW L4	
17	10088022	PARKER SCREW 3.5X9.5	
	10060917	KIT 50 PARKER SCREW 3,5x9,5	
18	10079746	CASE	
19	10079747	SPOUT	(◆)
20	10079877	MOLDED FRONT PANEL	(◆)
21	10079749	SPOUT COVER	(◆)
22	10079750	CUP SPACE	
23	10079878	CAPSULE DRAWER2 MOLDED	(■)
24	10079879	CUP SUPPORT GRID2 MOLDED	(■)
25	10079880	DROP DRAWER2 MOLDED	(■)
26	10079756	LOWER BASE	
27	10079755	UPPER BASE	
28	10079758	PARKER SCREW 4.2X13	
	10060914	KIT 25 PARKER SCREW 4,2x13	



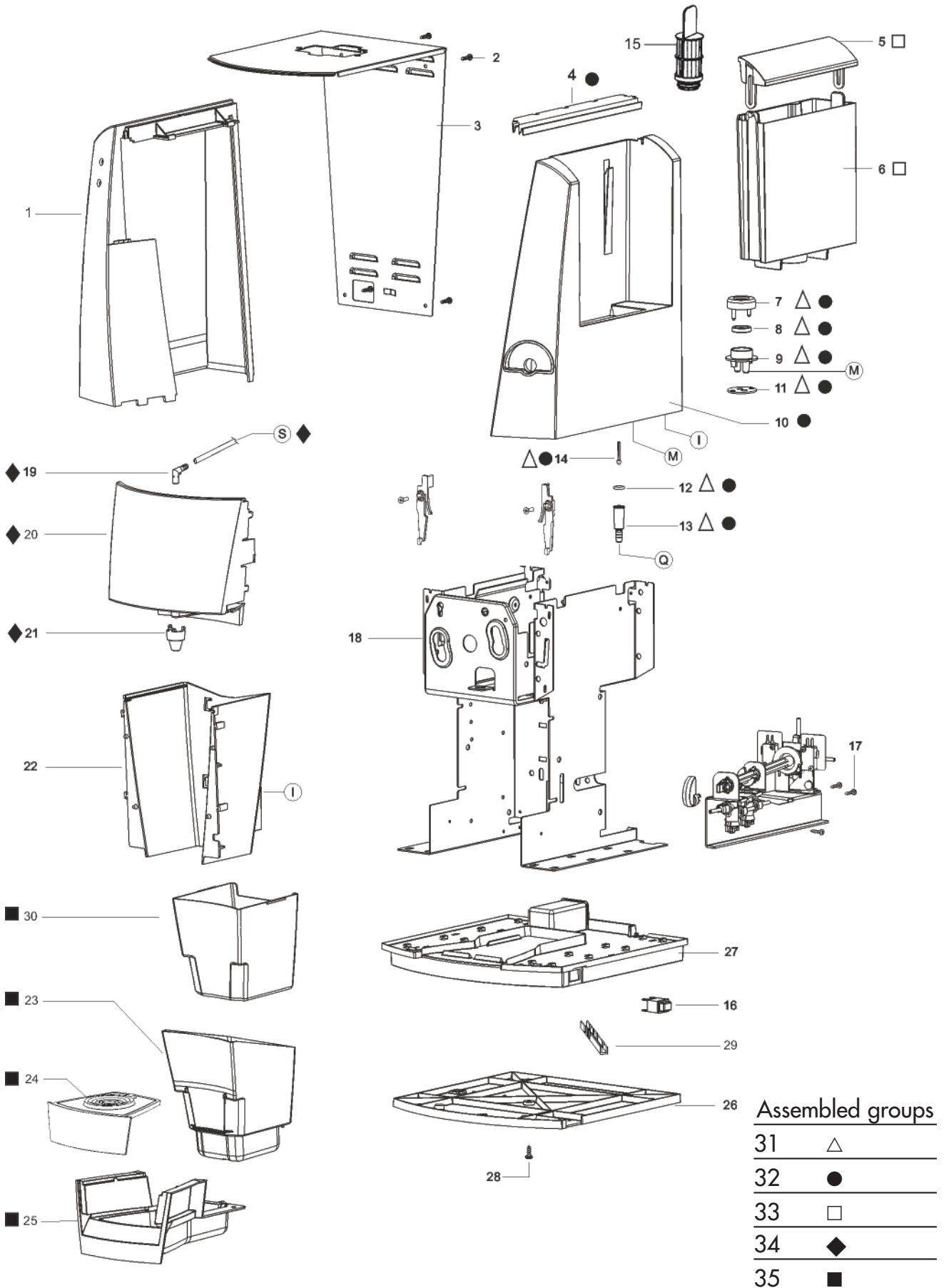


CASE
(From serial number 19712 to serial number 76099)

1 / A

3/4

REF	LAVAZZA CODE	DESCRIPTION	NOTES
29	10087231	DUCT COVER	From the serial no. 65429
30	10079875	INT. CAPSULE DRAWER	(■)
31	10079858	COMPLETE TANK VALVE	Assembled (△)
32	10079836	ASSEMBLED RIGHT SIDE PANEL TINTED	Assembled (●)
33	10079851	COMPLETE WATER TANK	Assembled (□)
34	10079900	ASSEMBLED FRONT PANEL MOLDED	Assembled (◆)
35	10087284	ASSEMBLED DROP DRAWER	Assembled (■)



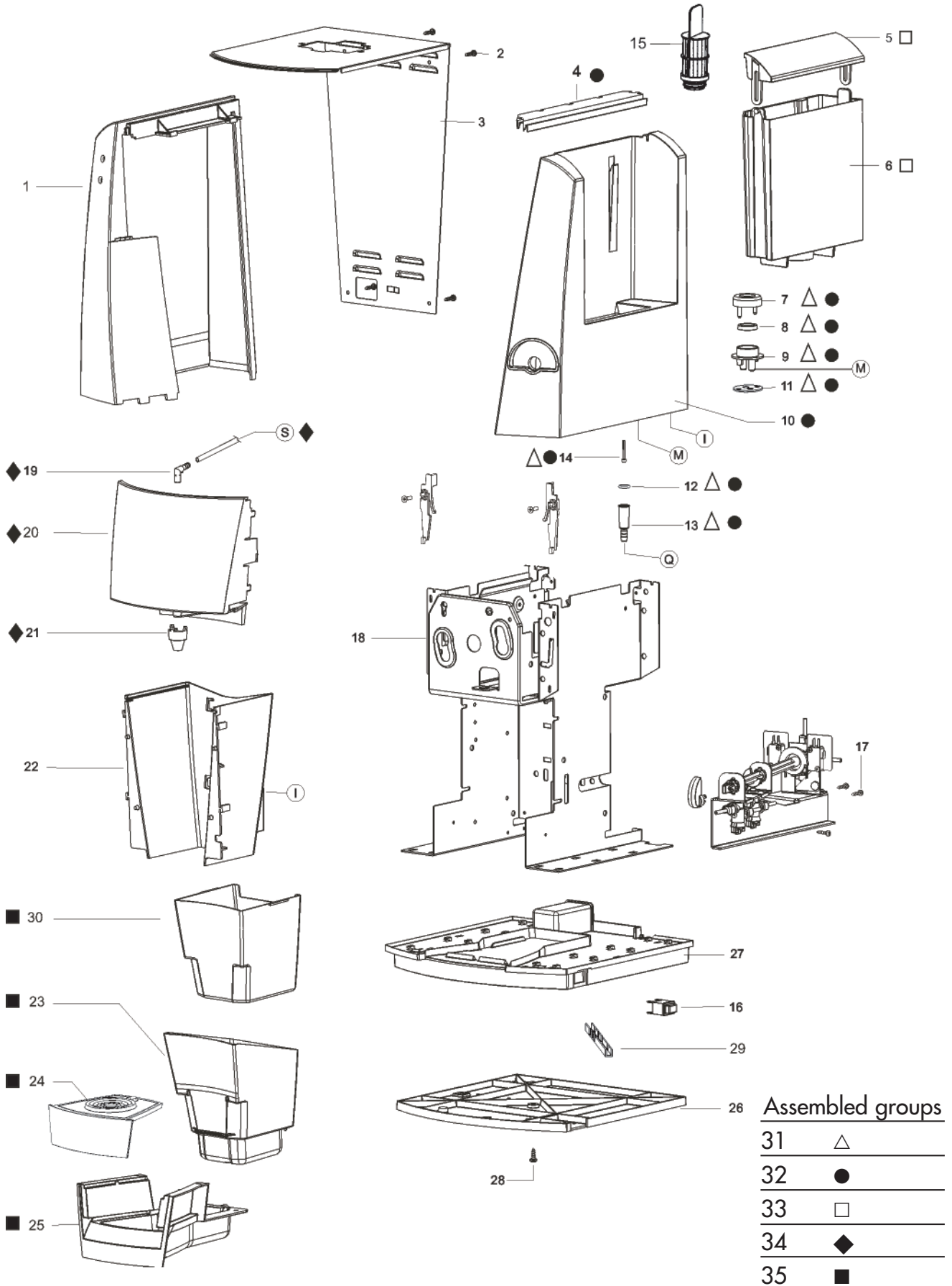


CASE
(From serial number 76100 ➡)

1/B

1/4

REF	LAVAZZA CODE	DESCRIPTION	NOTES
1	10079935	LEFT SIDE TINTED	
	10087235	LEFT SIDE TINTEDDU PONT	
2	10060901	KIT 50 PARKER SCREW 3.5X16	
	10079709	PARKER SCREW TORX 3.5X16	
3	10079707	BACK STAINLESS STEEL PANEL	
4	10079706	RIGHT SIDE COVER	(●)
5	10079712	TANK COVER TINTED	
	10087236	TANK COVER TINTEDDU-PONT AM11	(□)
6	10079713	PAD PRINTED WATER TANK	(□)
7	10088129	COVER FOR TANK VALVE	(●) (Δ)
8	10079740	TANK GASKET DI-062	(●) (Δ)
9	10079716	VALVE PLATE	(●) (Δ)
10	10079717	RIGHT SIDE TINTED	(●)
	10087237	RIGHT SIDE TINTEDDU-PONT	(●) (Δ)
11	10079852	GASKET FOR TANK VALVE	(●) (Δ)
12	10079853	O RING M0080-10 8X1 NBR	(●) (Δ)
13	10079714	PISTON DUMP VALVE	(●) (Δ)
14	10079783	DUMP VALVE PIN	
15	10079700	ANTI-SCALE FILTER FOR LB1000	
16	10060915	KIT 20 RED ILL.BIP.SWITCH 250V 16A GW L4	
	10079759	RED ILL.BIP.SWITCH 250V 16A GW L4	
17	10060917	KIT 50 PARKER SCREW 3.5X9.5	
	10088022	PARKER SCREW 3.5X9.5	
18	10079746	CASE	
19	10079747	SPOUT	(◆)
20	10079748	FRONT PANEL GREY	(◆)
	10087238	FRONT PANEL ORANGE	(◆)
	10087239	FRONT PANEL DARK GREY	(◆)
	10087240	FRONT PANEL AZURE	(◆)
	10087241	FRONT PANEL RED	(◆)
	10087242	FRONT PANEL GOLD	(◆)
21	10079749	SPOUT COVER	(◆)
22	10079937	CUP SPACE	(■)
23	10087243	CAPSULE DRAWER2 GREY	(■)
	10087244	CAPSULE DRAWER2 ORANGE	(■)
	10087245	CAPSULE DRAWER2 DARK GREY	(■)
	10087246	CAPSULE DRAWER2 AZURE	(■)
	10087247	CAPSULE DRAWER2 RED	(■)
	10087248	CAPSULE DRAWER2 GOLD	(■)



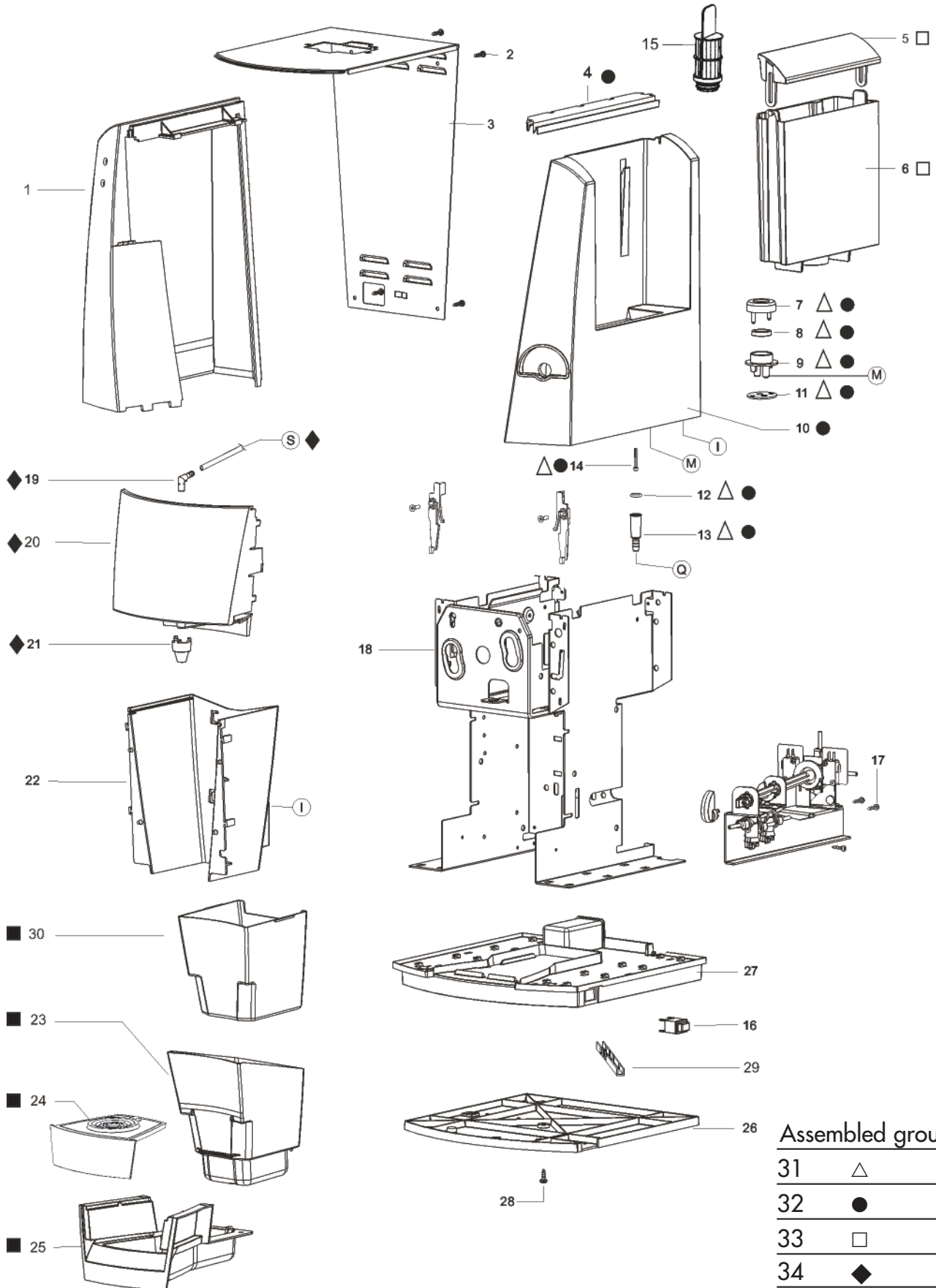


CASE
(From serial number 76100 ➔)

1/B

3/4

REF	LAVAZZA CODE	DESCRIPTION	NOTES
24	10087249	CUP SUPPORT GRID2 GREY	(■)
	10087250	CUP SUPPORT GRID2 ORANGE	(■)
	10087251	CUP SUPPORT GRID2 DARK GREY	(■)
	10087252	CUP SUPPORT GRID2 AZURE	(■)
	10087253	CUP SUPPORT GRID2 RED	(■)
	10087254	CUP SUPPORT GRID2 GOLD	(■)
25	10087255	DROP DRAWER2 GREY	(■)
	10087256	DROP DRAWER2 ORANGE	(■)
	10087257	DROP DRAWER2 DARK GREY	(■)
	10087258	DROP DRAWER2 AZURE	(■)
	10087259	DROP DRAWER2 RED	(■)
	10087260	DROP DRAWER2 GOLD	(■)
26	10079756	LOWER BASE	
27	10079755	UPPER BASE	
28	10079758	PARKER SCREW 4.2X13	
	10060914	KIT 25 PARKER SCREW 4.2X13	
29	10087231	DUCT COVER	
30	10079875	INT. CAPSULE DRAWER	(■)
31	10079858	COMPLETE TANK VALVE	Assembled (△)
32	10079836	ASSEMBLED RIGHT SIDE PANEL TINTED	Assembled (●)
	10087275	ASS. RIGHT SIDE PANEL TINTED DU-PONT	Assembled (●)
33	10079851	COMPLETE WATER TANK	Assembled (□)
	10087276	COMPLETE WATER TANK VERN.DU-PONT AM11	Assembled (□)
34	10079859	ASSEMBLED FRONT PANEL GREY	Assembled (◆)
	10087277	ASSEMBLED FRONT PANEL ORANGE	Assembled (◆)
	10087278	ASSEMBLED FRONT PANEL DARK GREY	Assembled (◆)
	10087279	ASSEMBLED FRONT PANEL AZURE	Assembled (◆)
	10087280	ASSEMBLED FRONT PANEL RED	Assembled (◆)
	10087281	ASSEMBLED FRONT PANEL GOLD	Assembled (◆)
35	10087285	ASSEMBLED DROP DRAWER GREY	Assembled (■)
	10087286	ASSEMBLED DROP DRAWER ORANGE	Assembled (■)
	10087287	ASSEMBLED DROP DRAWER DARK GREY	Assembled (■)
	10087288	ASSEMBLED DROP DRAWER AZURE	Assembled (■)
	10087289	ASSEMBLED DROP DRAWER RED	Assembled (■)
	10087290	ASSEMBLED DROP DRAWER GOLD	Assembled (■)



Assembled groups

31	△
32	●
33	□
34	◆
35	◻●



CAPSULE INSERTING UNIT

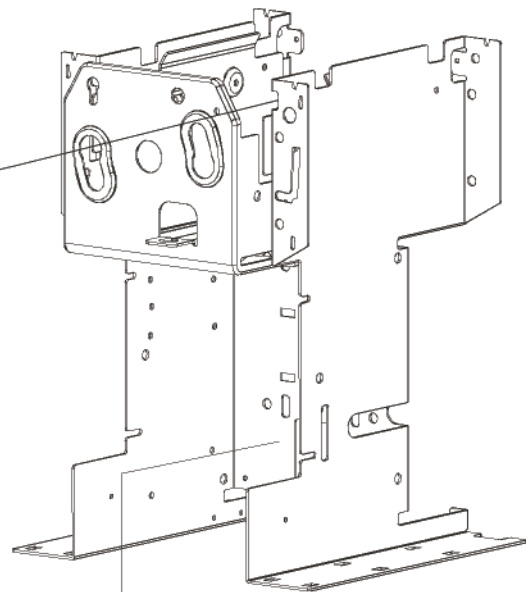
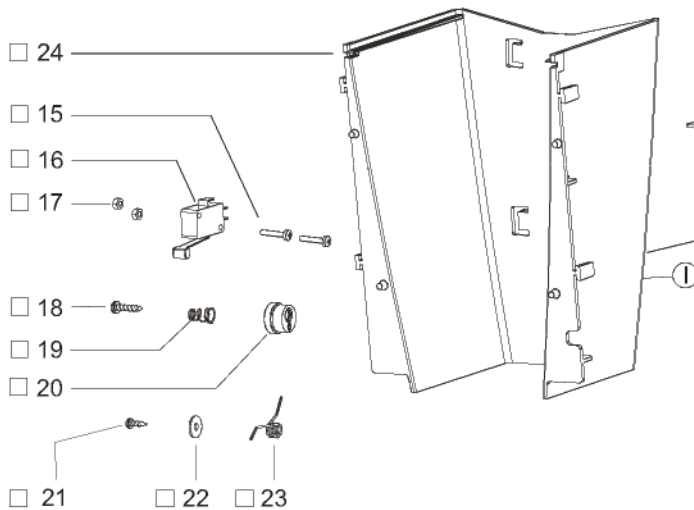
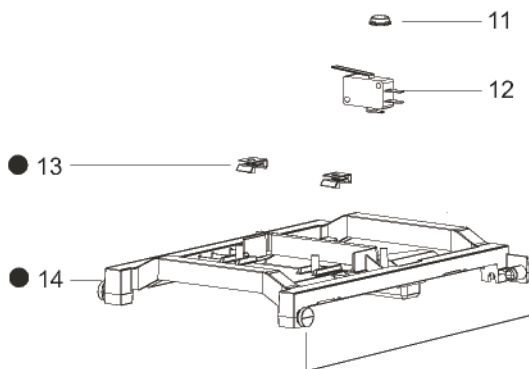
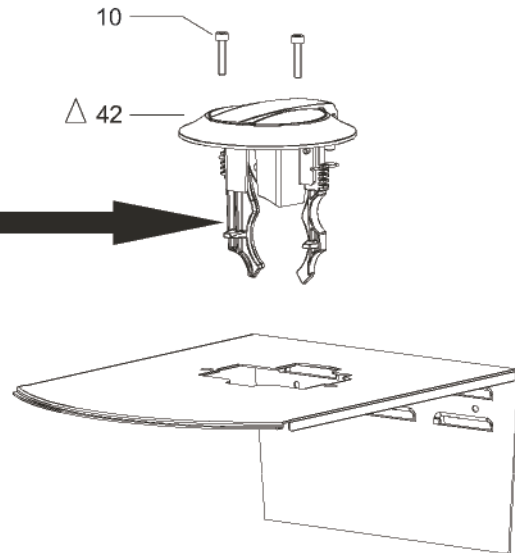
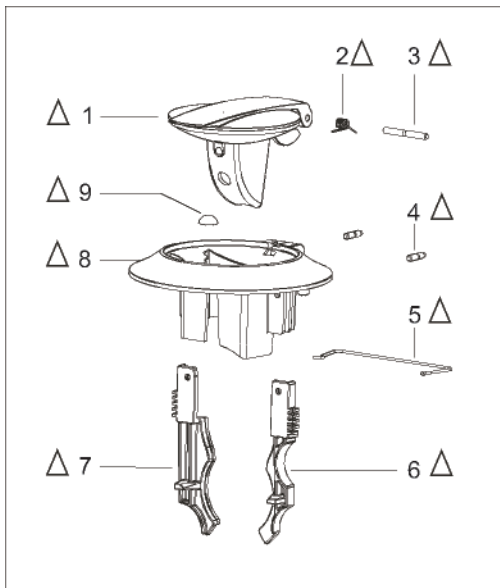
(Until serial number ➔ 19711)

2

1/2

REF	LAVAZZA CODE	DESCRIPTION	NOTES
1	10060918	KIT 10 COVER+PUSHER LIGHT TINTED	
	10079776	COVER+PUSHER GREY	(△)
2	10060919	KIT 50 COVER SPRING	
	10079777	COVER SPRING	(△)
3	10079778	COVER PIN	(△)
4	10079780	JAW PIN	(△)
5	10060920	KIT 25 JAW SPRING	
	10079781	JAW SPRING	(△)
6	10060921	KIT 15 LEFT JAW	
	10079784	LEFT JAW	(△)
7	10060922	KIT 15 RIGHT JAW	
	10079782	RIGHT JAW	(△)
8	10060923	KIT 10 COVER BASE LIGHT TINTED	
	10079799	COVER BASE GREY	(△)
9	10079785	ADHESIVE FOOT	(△)
10	10060924	KIT 50 SCREW M4X20	
	10079708	SCREW M4X20	
11	10079757	FOOT	
12	10060925	KIT 20 MICROSWITCH	
	10079705	MICROSWITCH	
13	10079704	DOUBLE PLATE	(●)
14	10079703	UPPER CASE	(●)
15	10060926	KIT 50 SCREW M3X16	
	10089021	SCREW M3X16	(□)
16	10060927	KIT 10 DRAWER MICROSWITCH	
	10079772	DRAWER MICROSWITCH	(□)
17	10060928	KIT 50 GALVANIZED HEXAGON NUT M3	
	10088028	GALVANIZED HEXAGON NUT M3	(□)
18	10060917	KIT 50 PARKER SCREW 3.5X9.5	
	10088022	PARKER SCREW 3.5X9.5	(□)
19	10079773	CONICAL SPRING	(□)
20	10079774	CAM FOR MICROSWITCH ADJUSTMENT	(□)
21	10060929	KIT 25 PARKER SCREW 2,9X9,5	
	10088059	PARKER SCREW 2.9X9.5	(□)
22	10088073	FLAT WASHER 4,3X12X1	(□)
23	10079775	SHAPED SPRING	(□)
24	10079750	CUP SPACE	(□)
25	10079860	ASSEMBLED UPPER CASE	Assembled (●)
26	10079861	MICRO CUP SPACE UNIT	Assembled (□)
27	10079837	ASSEMBLED CAPSULE INSERTING UNIT	Assembled (△)

CAPSULE INSERTING UNIT
(Until serial number ➔ 19711)



Assembled groups

25	●
26	□
27	△



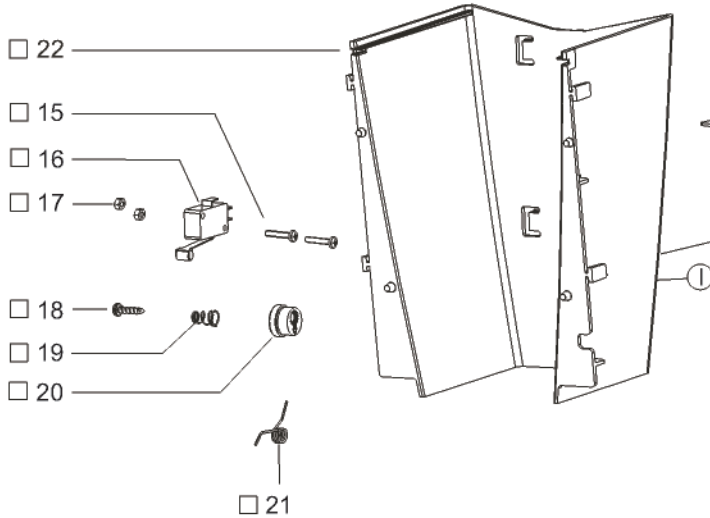
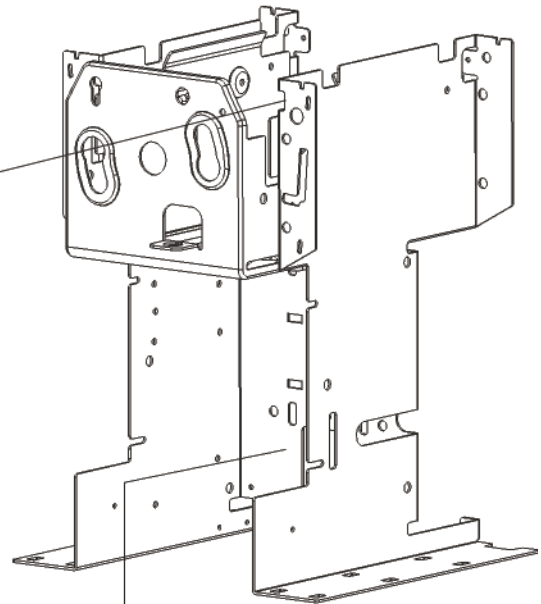
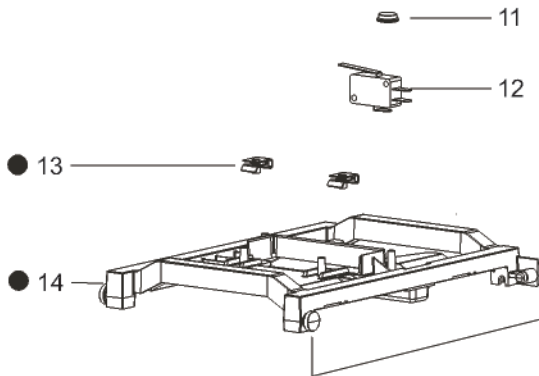
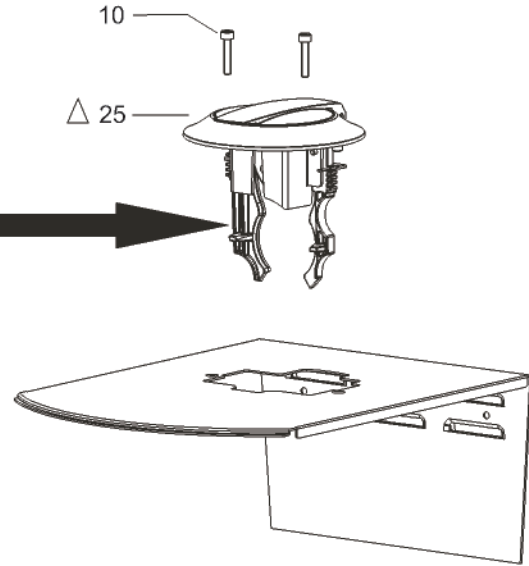
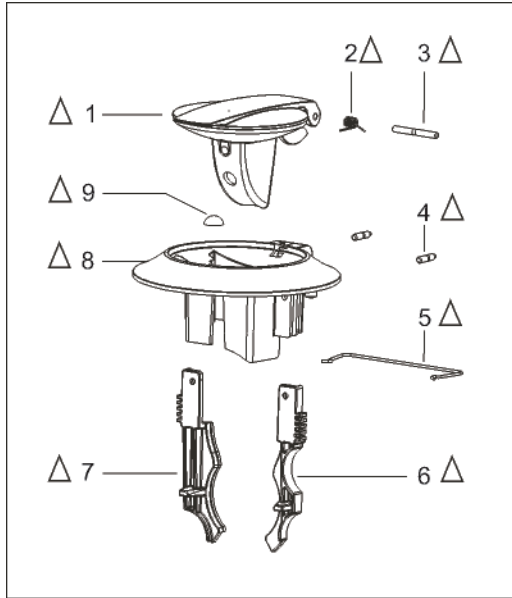
CAPSULE INSERTING UNIT

(From serial number 19712 to serial number 64552)

2/A

1/2

REF	LAVAZZA CODE	DESCRIPTION	NOTES
1	10060900	KIT 10 COVER+PUSHER DARK TINTED	
	10079881	COVER+PUSHER DARK TINTED	(△)
2	10060919	KIT 50 COVER SPRING	
	10079777	COVER SPRING	(△)
3	10079778	COVER PIN	(△)
4	10079780	JAW PIN	(△)
5	10060920	KIT 25 JAW SPRING	
	10079781	JAW SPRING	(△)
6	10060921	KIT 15 LEFT JAW	
	10079784	LEFT JAW	(△)
7	10060922	KIT 15 RIGHT JAW	
	10079782	RIGHT JAW	(△)
8	10060902	KIT 10 COVER BASE DARK TINTED	
	10079882	COVER BASE DARK TINTED	(△)
9	10079785	ADHESIVE FOOT	(△)
10	10060924	KIT 50 SCREW M4X20	
	10079708	SCREW M4X20	
11	10079757	FOOT	
12	10060925	KIT 20 MICROSWITCH	
	10079705	MICROSWITCH	
13	10079704	DOUBLE PLATE	(●)
14	10079703	UPPER CASE	(●)
15	10060926	KIT 50 SCREW M3X16	
	10089021	SCREW M3X16	(□)
16	10060927	KIT 10 DRAWER MICROSWITCH	
	10079772	DRAWER MICROSWITCH	(□)
17	10060928	KIT 50 GALVANIZED HEXAGON NUT M3	
	10088028	GALVANIZED HEXAGON NUT M3	(□)
18	10060917	KIT 50 PARKER SCREW 3.5X9.5	
	10088022	PARKER SCREW 3.5X9.5	(□)
19	10079773	CONICAL SPRING	(□)
20	10079774	CAM FOR MICROSWITCH ADJUSTMENT	(□)
21	10079775	SHAPED SPRING	(□)
22	10079750	CUP SPACE	(□)
23	10079860	ASSEMBLED UPPER CASE	Assembled (●)
24	10079861	MICRO CUP SPACE UNIT	Assembled (□)
25	10079837	ASS.CAPSULE INSERTING UNIT DARK TINTED	Assembled (△)



Assembled groups

23	●
24	□
25	△



CAPSULE INSERTING UNIT

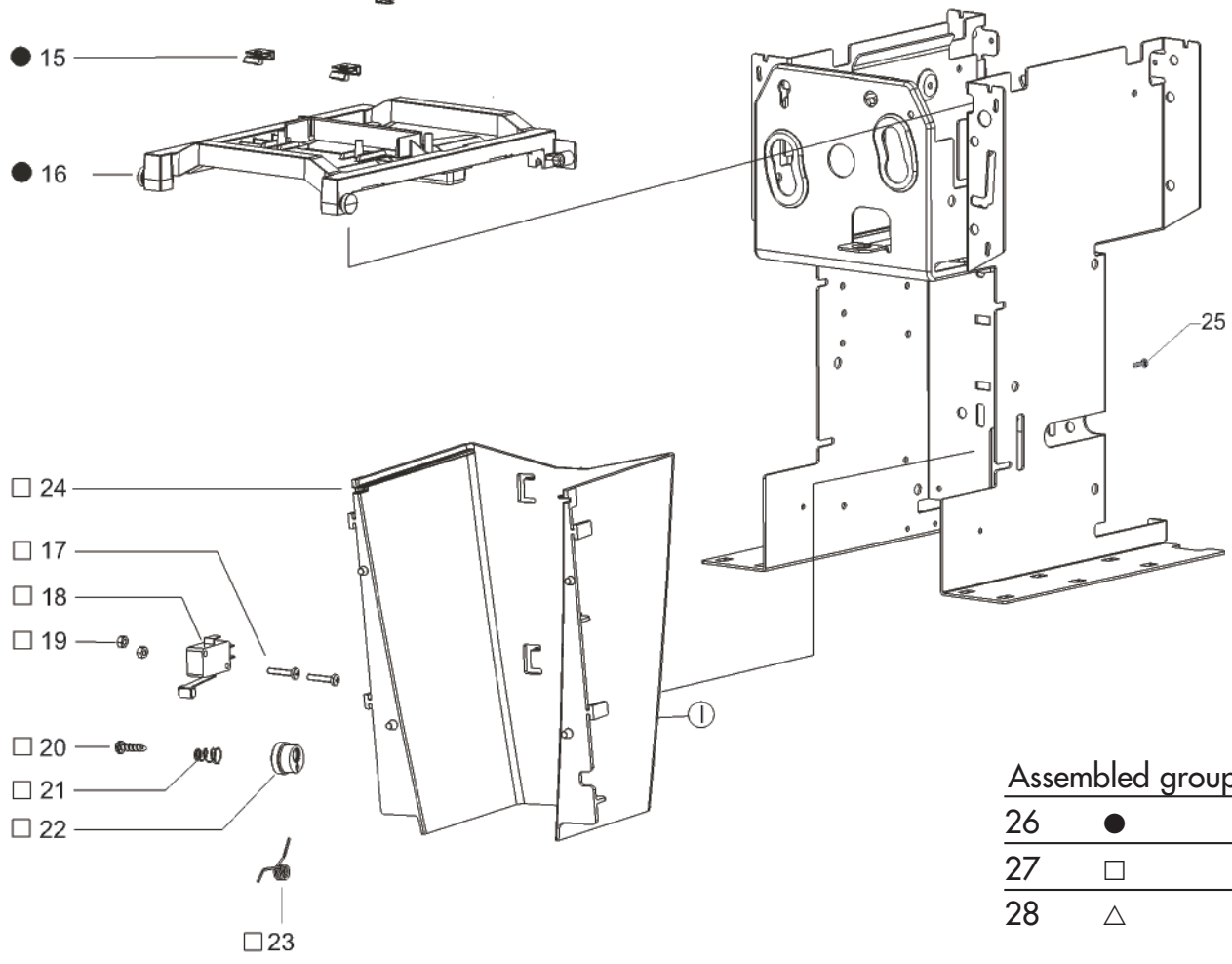
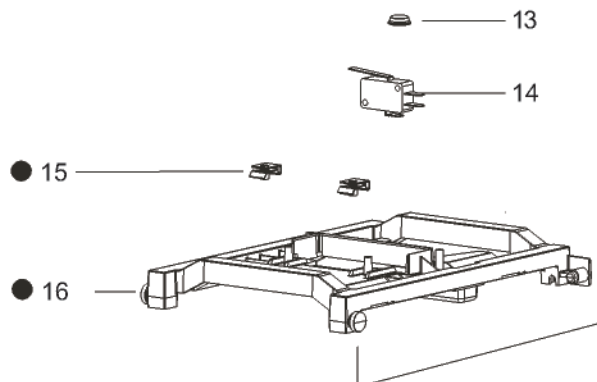
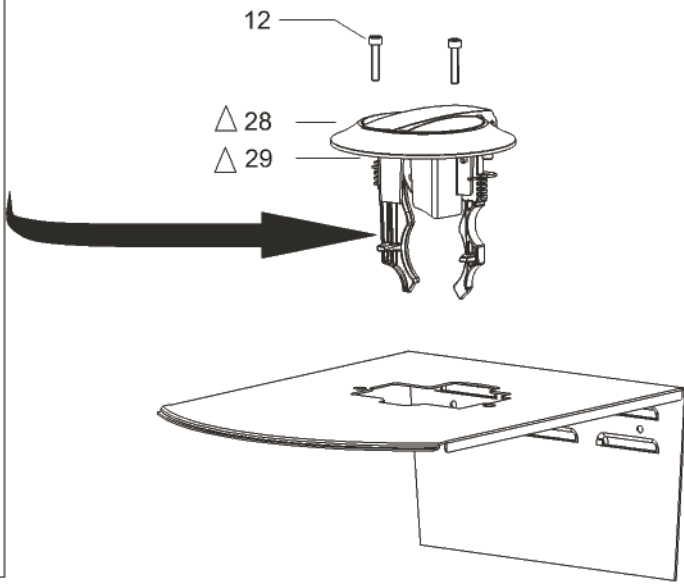
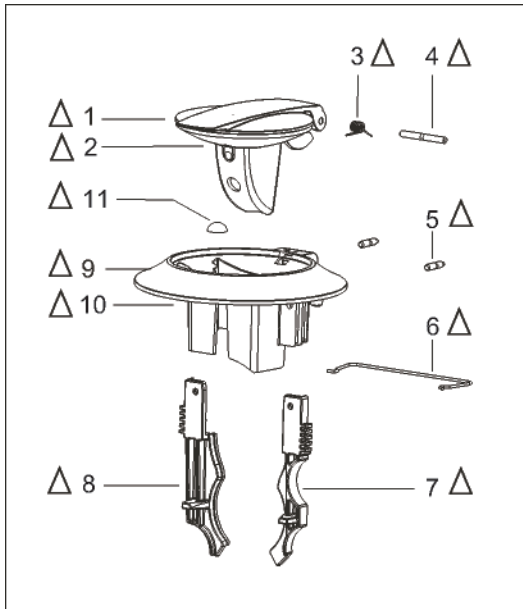
(From serial number 64553 ➔)

2/B

1/4

REF	LAVAZZA CODE	DESCRIPTION	NOTES
1	10060900	KIT 10 COVER+PUSHER DARK TINTED	
	10079881	COVER+PUSHER DARK TINTED	(△)
2	10087266	KIT 10 COVER+PUSHER DU-PONT	
	10087267	COVER+PUSHER DU-PONT	(△) From the serial no. 65429
3	10060919	KIT 50 COVER SPRING	
	10079777	COVER SPRING	(△)
4	10079778	COVER PIN	(△)
5	10079780	JAW PIN	(△)
6	10060920	KIT 25 JAW SPRING	
	10079781	JAW SPRING	(△)
7	10060921	KIT 15 LEFT JAW	
	10079784	LEFT JAW	(△)
8	10060922	KIT 15 RIGHT JAW	
	10079782	RIGHT JAW	(△)
9	10060902	KIT 10 COVER BASE DARK TINTED	
	10079882	COVER BASE DARK TINTED	(△)
10	10079948	KIT 10 COVER BASE DU-PONT	
	10087268	COVER BASE DU-PONT	(△) From the serial no. 65429
11	10079785	ADHESIVE FOOT	(△)
12	10060924	KIT 50 SCREW M4X20	
	10079708	SCREW M4X20	
13	10079757	FOOT	
14	10079940	KIT 20 MICROSWITCH	
	10079941	MICROSWITCH GW	
15	10079704	DOUBLE PLATE	(●)
16	10079942	UPPER CASE IMQ	(●)
17	10060926	KIT 50 SCREW M3X16	
	10089021	SCREW M3X16	(□)
18	10060927	KIT 10 DRAWER MICROSWITCH	
	10079772	DRAWER MICROSWITCH	(□)
19	10060928	KIT 50 GALVANIZED HEXAGON NUT M3	
	10088028	GALVANIZED HEXAGON NUT M3	(□)
20	10060917	KIT 50 PARKER SCREW 3.5X9.5	
	10088022	PARKER SCREW 3.5X9.5	(□)
21	10079773	CONICAL SPRING	(□)
22	10079774	CAM FOR MICROSWITCH ADJUSTMENT	(□)
23	10079775	SHAPED SPRING	(□)

CAPSULE INSERTING UNIT
(From serial number 64553 ➔)



Assembled groups

26	●
27	□
28	△



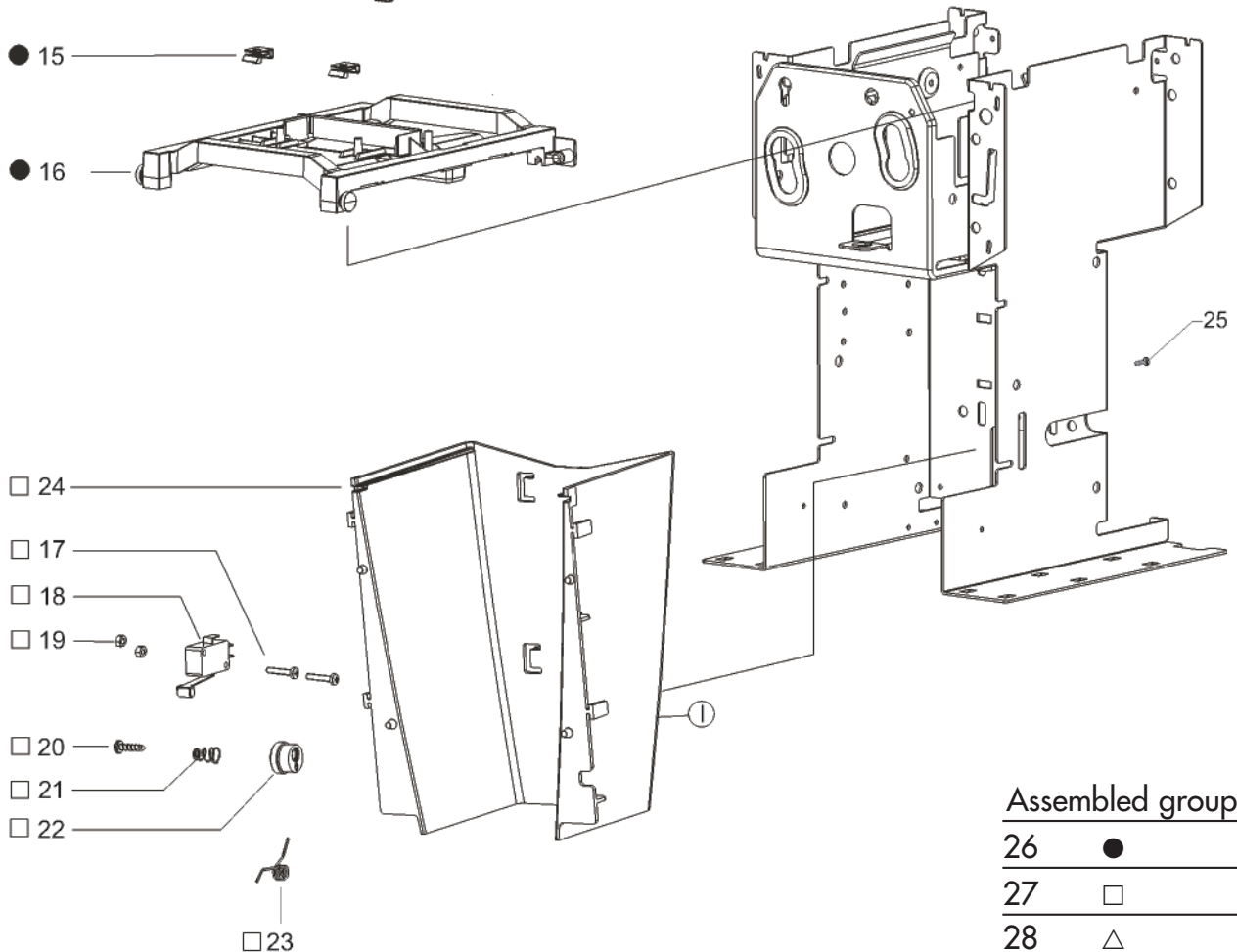
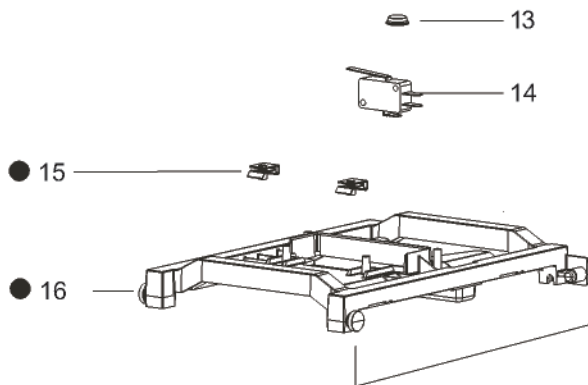
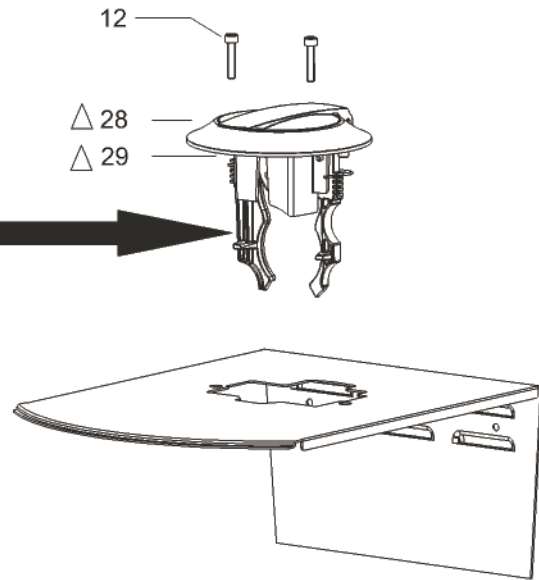
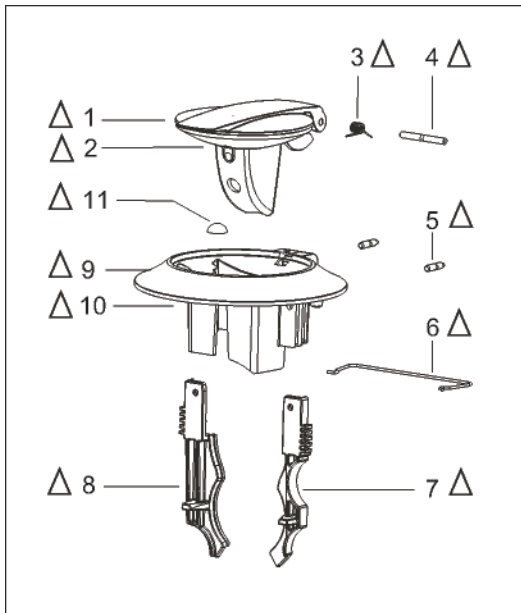
CAPSULE INSERTING UNIT
(From serial number 64553 ➡)

2/B

3/4

REF	LAVAZZA CODE	DESCRIPTION	NOTES
24	10079937	CUP SPACE	(□)
25	10087282	PARKER SCREW 3.5X6,5	
26	10079860	ASSEMBLED UPPER CASE	Assembled (●)
27	10079861	MICRO CUP SPACE UNIT	Assembled (□)
28	10079837	ASS.CAPSULE INSERTING UNIT DARK TINTED	Assembled (△)
29	10087269	ASSEMBLED CAPSULE INSERTING UNIT DU-PONT	(△) from serial no. 65429

CAPSULE INSERTING UNIT
(From serial number 64553 ➔)



Assembled groups

26	●
27	□
28	△



HYDRAULIC/DISPENSING UNIT

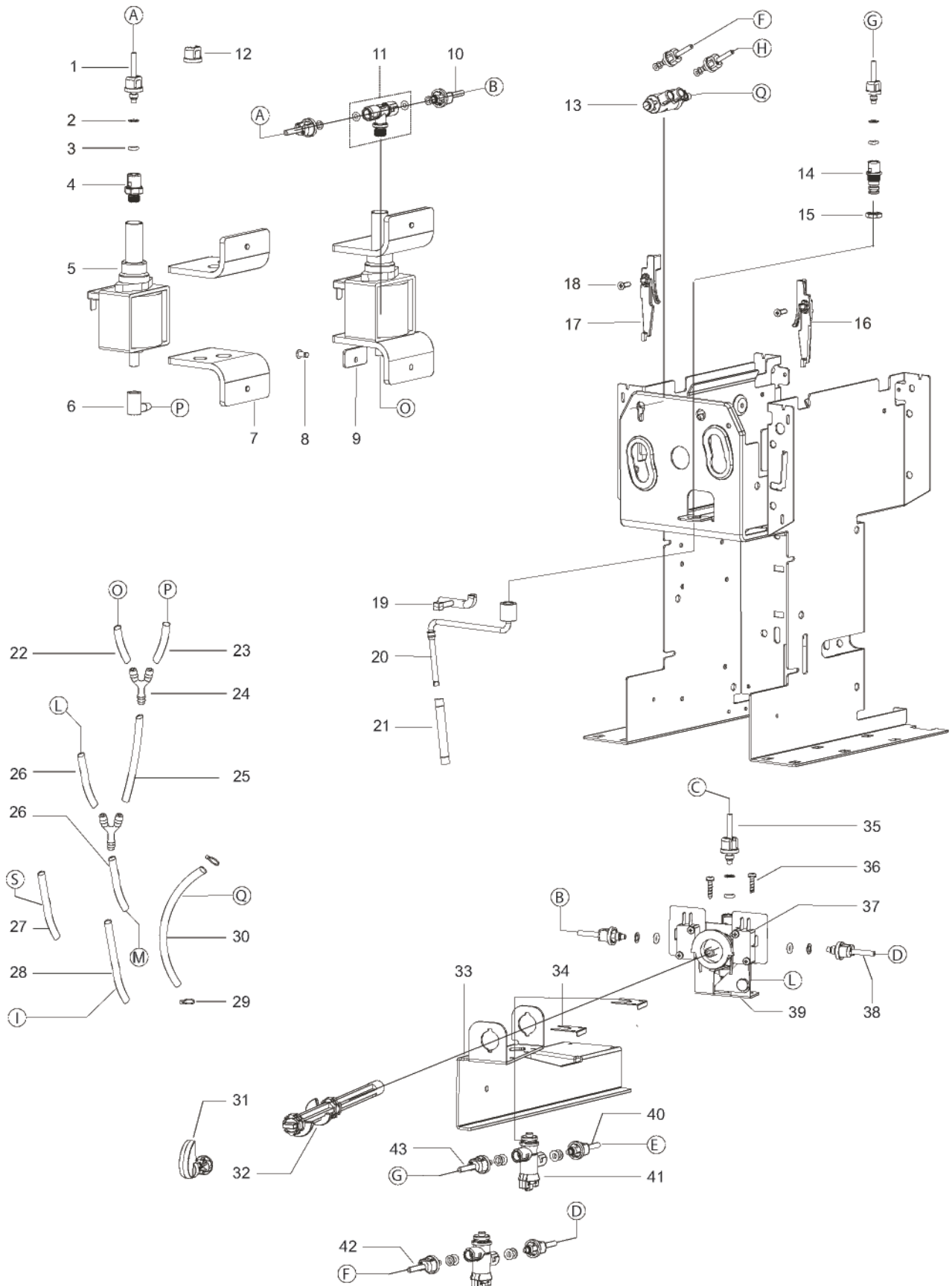
(From serial number ➔ 19711)

3

1/4

REF	LAVAZZA CODE	DESCRIPTION	NOTES
1	10060930	KIT 10 PTFE PIPE L=80mm	
	10079721	PTFE PIPE L=80mm	
2	10060966	KIT 100 WASHER 4,2X6,8X0,5 BRASS	
	10079764	WASHER 4.2X6.8X0,5	
3	10060967	KIT 100 O RING 2015 VITON	
	10079854	OR 2015 VITON	
4	10060931	KIT 50 QUICK COUPLING 1/8	
	10079765	QUICK COUPLING 1/8	
5	10099027	KIT 10 PUMP 230V-50Hz GW	
6	10079766	ELBOW CONNECTOR	
7	10079767	PUMP SUPPORT JOINT	
8	10079768	ALUMINIUM RIVET 4X12	
9	10079769	PUMP SUPPORT PLATE	
10	10060933	KIT 10 PTFE PIPE L=260mm	
	10079723	PTFE PIPE L=260mm	
11	10060934	KIT 10 3-WAY QUICK COUPLING 1/8	Technical information 23
	10079771	3-WAY QUICK COUPLING 1/8	Technical information 23
12	10060935	KIT 25 QUICK COUPLING	
	10079770	QUICK COUPLING	
13	10060936	KIT 15 DUMP VALVE	
	10079741	DUMP VALVE	
14	10060937	KIT 15 STEAM PIPE CONNECTOR	
	10079745	STEAM PIPE CONNECTOR	
15	10088068	STEAM PIPE FIXING NUT	
16	10079744	FRONT PANEL RIGHT HOOK	
17	10079743	FRONT PANEL LEFT HOOK	
18	10060907	KIT 50 PARKER SCREW 3.5X13	
	10079742	PARKER SCREW 3.5X13	
19	10060938	KIT 5 STEAM PIPE HANDLE	
	10079754	STEAM PIPE HANDLE	
20	10060939	KIT 5 STEAM PIPE	
	10079720	STEAM PIPE	
21	10060940	KIT 5 POLISHED MILK FROTHING PIPE	
	10088070	POLISHED MILK FROTHING PIPE	
22	10079733	SILICON PIPE L=30mm d.4X8	

HYDRAULIC/DISPENSING UNIT
(From serial number ➔ 19711)





HYDRAULIC/DISPENSING UNIT

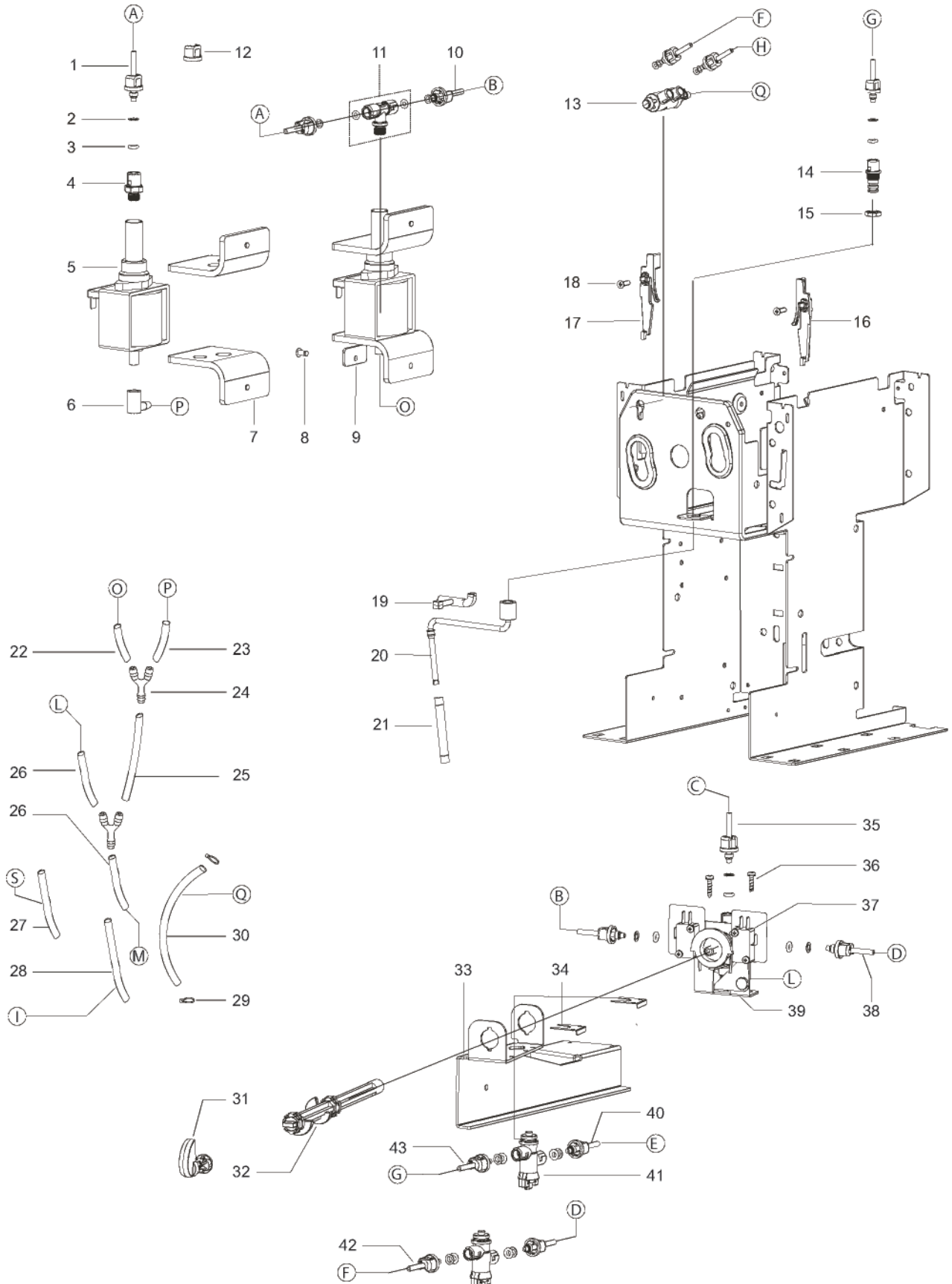
(From serial number ➔ 19711)

3

3/4

REF	LAVAZZA CODE	DESCRIPTION	NOTES
23	10079734	SILICON PIPE L= 45mm d.4X8	
24	10079827	Y OUTLET CONNECTOR	
25	10079735	SILICON PIPE L=310mm d.4X8	
26	10079736	SILICON PIPE L=100mm d.4X8	
27	10079738	SILICON PIPE L=141mm d.6X3	
28	10079739	SILICON PIPE L=270mm d.4X8	
29	10060941	KIT 100 HOSE CLAMP	
	10079855	HOSE CLAMP	
30	10079737	SILICON PIPE L=660mm d.4X8	
31	10060916	KIT 10 KNOB + JOINT	
	10079763	KNOB + JOINT	
32	10079790	DISPENSER SHAFT	
33	10079788	RETAINER	
34	10079787	VALVE CLAMP	
35	10060942	KIT 10 PTFE PIPE L=220mm	
	10079724	PTFE PIPE L=220mm	
36	10060917	KIT 50 PARKER SCREW 3.5X9.5	
	10088022	PARKER SCREW 3.5X9.5	
37	10060925	KIT 20 MICROSWITCH	Technical information 23
	10079705	MICROSWITCH	Technical information 23
38	10060943	KIT 10 PTFE PIPE L= 240 mm	
	10079725	PTFE PIPE L= 240 mm	
39	10079786	ASSEMBLED DISPENSING UNIT	
40	10060944	KIT 10 PTFE PIPE L= 410 mm	Technical information 23
	10079727	PTFE PIPE L= 410 mm	Technical information 23
41	10060946	KIT 20 ASSEMBLED VALVE	
	10079792	ASSEMBLED VALVE	
42	10060945	KIT 10 PTFE PIPE L= 440 mm	
	10079726	PTFE PIPE L= 440 mm	
43	10060947	KIT 10 PTFE PIPE L= 360 mm	
	10079728	PTFE PIPE L=360 mm	

HYDRAULIC/DISPENSING UNIT
(From serial number ➔ 19711)





HYDRAULIC/DISPENSING UNIT

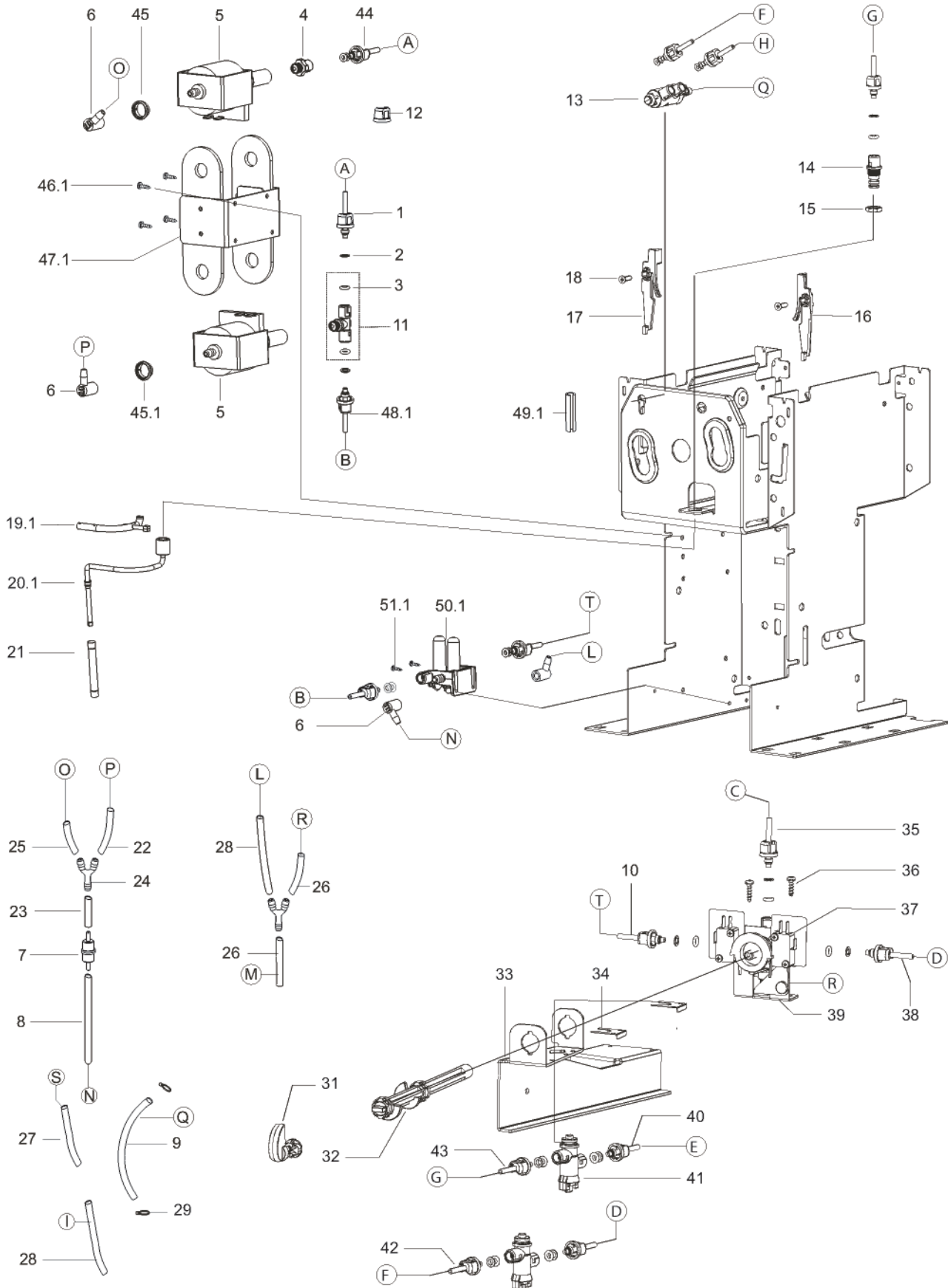
(From serial number 19712 to serial number 39639)

3/A

1/6

REF	LAVAZZA CODE	DESCRIPTION	NOTES
1	10060930	KIT 10 PTFE PIPE L=80mm	
	10079721	PTFE PIPE L=80mm	
2	10060966	KIT 100 WASHER 4,2X6,8X0,5 BRASS	
	10079764	WASHER 4.2X6.8X0,5	
3	10060967	KIT 100 O RING 2015 VITON	
	10079854	OR 2015 VITON	
4	10060931	KIT 50 QUICK COUPLING 1/8	
	10079765	QUICK COUPLING 1/8	
5	10099027	KIT 10 PUMP 230V-50Hz GW	
6	10079766	ELBOW CONNECTOR	
7	10079897	FILTER FOR SUCTION PIPE	
8	10079898	SILICON PIPE L= 290mm d.4X8	
9	10079899	SILICON PIPE L=600mm d.4X8	
10	10060933	KIT 10 PTFE PIPE L=260mm	
	10079723	PTFE PIPE L=260mm	
11	10060934	KIT 10 3-WAY QUICK COUPLING 1/8	See Technical Info 23
	10079771	3-WAY QUICK COUPLING 1/8	See Technical Info 23
12	10060935	KIT 25 QUICK COUPLING	
	10079770	QUICK COUPLING	
13	10060936	KIT 15 DUMP VALVE	
	10079741	DUMP VALVE	
14	10060937	KIT 15 STEAM PIPE CONNECTOR	
	10079745	STEAM PIPE CONNECTOR	
15	10088068	STEAM PIPE FIXING NUT	
16	10079744	FRONT PANEL RIGHT HOOK	
17	10079743	FRONT PANEL LEFT HOOK	
18	10060907	KIT 50 PARKER SCREW 3.5X13	
	10079742	PARKER SCREW 3.5X13	
19	10060908	KIT 5 STEAM PIPE HANDLE 2	
	10079892	STEAM PIPE HANDLE 2	
20	10060909	KIT 5 STEAM PIPE 2	
	10079893	STEAM PIPE 2	
21	10060940	KIT 5 POLISHED MILK FROTHING PIPE	
	10088070	POLISHED MILK FROTHING PIPE	
22	10079895	SILICON PIPE L= 150mm d.4X8	
23	10079896	SILICON PIPE L= 40mm d.4X8	

HYDRAULIC/DISPENSING UNIT
(From serial number 19712 to serial number 39639)





HYDRAULIC/DISPENSING UNIT

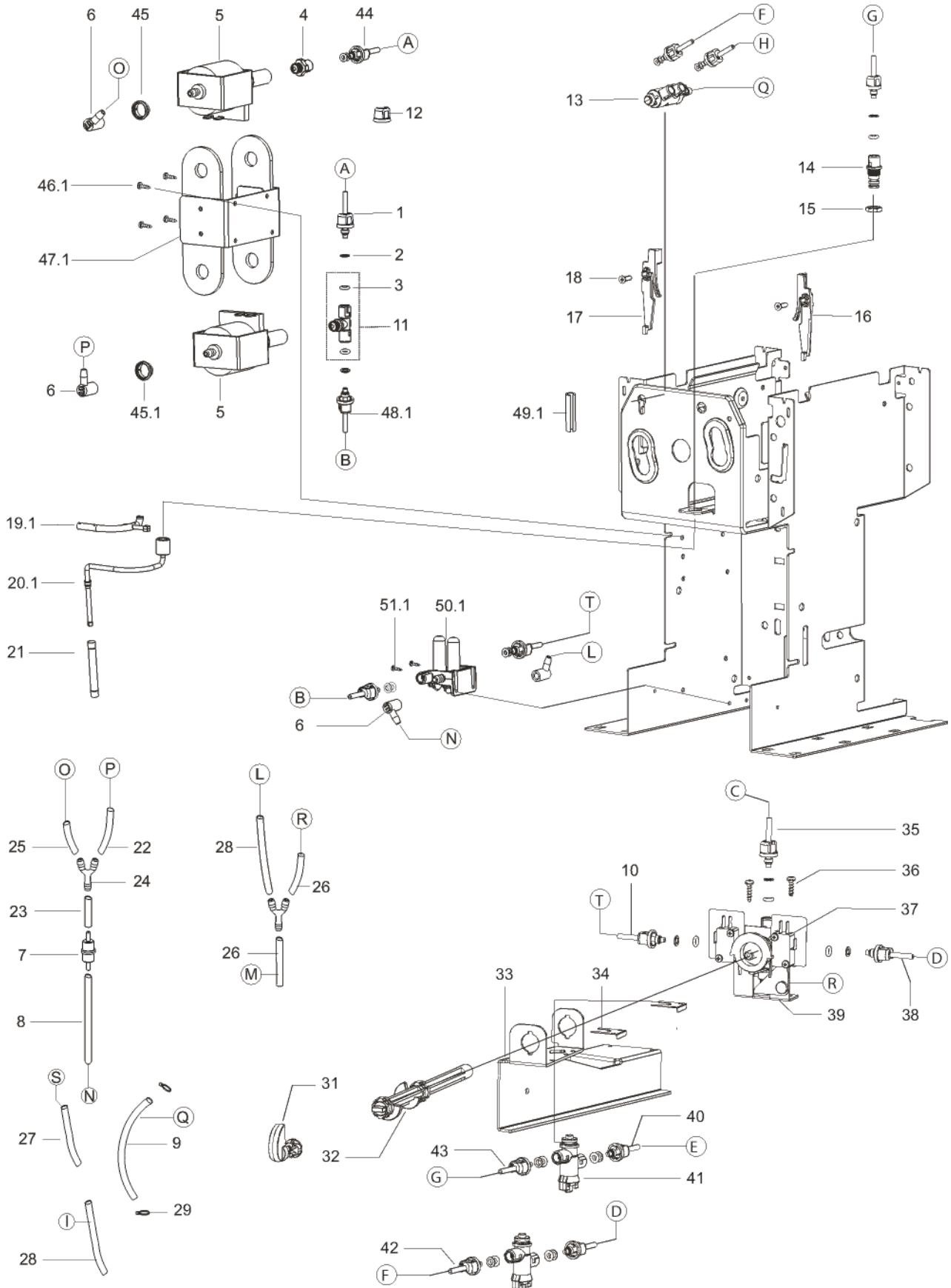
(From serial number 19712 to serial number 39639)

3/A

3/6

REF	LAVAZZA CODE	DESCRIPTION	NOTES
24	10079896	Y OUTLET CONNECTOR	
25	10079894	SILICON PIPE L= 50mm d.4X8	
26	10079736	SILICON PIPE L=100mm d.4X8	
27	10079738	SILICON PIPE L=141mm d.6X3	
28	10079739	SILICON PIPE L=270mm d.4X8	
29	10060941	KIT 100 HOSE CLAMP	
	10079855	HOSE CLAMP	
30	10079737	SILICON PIPE L=660mm d.4X8	
31	10060916	KIT 10 KNOB + JOINT	
	10079763	KNOB + JOINT	
32	10079790	DISPENSER SHAFT	
33	10079788	RETAINER	
34	10079787	VALVE CLAMP	
35	10060942	KIT 10 PTFE PIPE L=220mm	See Technical Info 23
	10079724	PTFE PIPE L=220mm	See Technical Info 23
36	10060917	KIT 50 PARKER SCREW 3.5X9.5	
	10088022	PARKER SCREW 3.5X9.5	
37	10079940	KIT 20 MICROSWITCH	
	10079941	MICROSWITCH GW	
38	10060943	KIT 10 PTFE PIPE L= 240 mm	
	10079725	PTFE PIPE L= 240 mm	
39	10079786	ASSEMBLED DISPENSING UNIT	
40	10060944	KIT 10 PTFE PIPE L= 410 mm	See Technical Info 23
	10079727	PTFE PIPE L= 410 mm	See Technical Info 23
41	10060946	KIT 20 ASSEMBLED VALVE	
	10079792	ASSEMBLED VALVE	
42	10060945	KIT 10 PTFE PIPE L= 440 mm	
	10079726	PTFE PIPE L= 440 mm	
43	10060947	KIT 10 PTFE PIPE L= 360 mm	
	10079728	PTFE PIPE L=360 mm	
44	10060903	KIT 10 PTFE PIPE L=115 mm	
	10079884	PTFE PIPE L=115 mm	
45	10079891	RING	

HYDRAULIC/DISPENSING UNIT
(From serial number 19712 to serial number 39639)





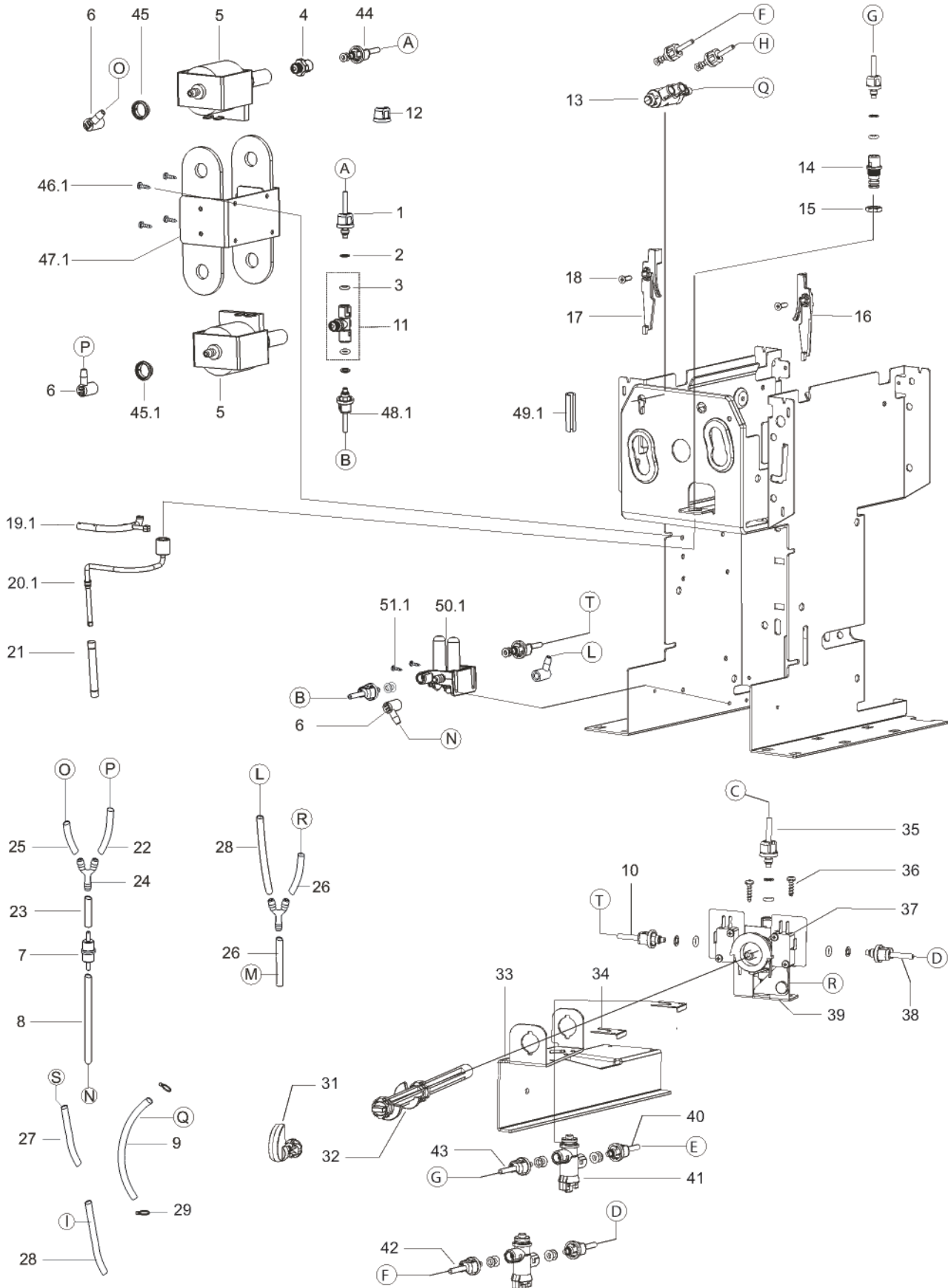
HYDRAULIC/DISPENSING UNIT
(From serial number 19712 to serial number 39639)

3/A

5/6

REF	LAVAZZA CODE	DESCRIPTION	NOTES
46	10060906	KIT 25 PARKER SCREW 3,5X6,5	
	10079890	PARKER SCREW 3.5X6.5	
47	10079889	COMPLETE PUMP SUPPORT BRACKET	
48	10060904	KIT 10 PTFE PIPE L=90 mm	
	10079885	PTFE PIPE L=90 mm	
49	10079888	SILENCER RUBBER FOR PTFE TUBE	
50	10079886	VIBRATION DAMPING UNIT	
51	10060905	KIT 50 PARKER SCREW 3,5X9,5	
	10079887	PARKER SCREW 3.5X9.5	

HYDRAULIC/DISPENSING UNIT
(From serial number 19712 to serial number 39639)





HYDRAULIC/DISPENSING UNIT

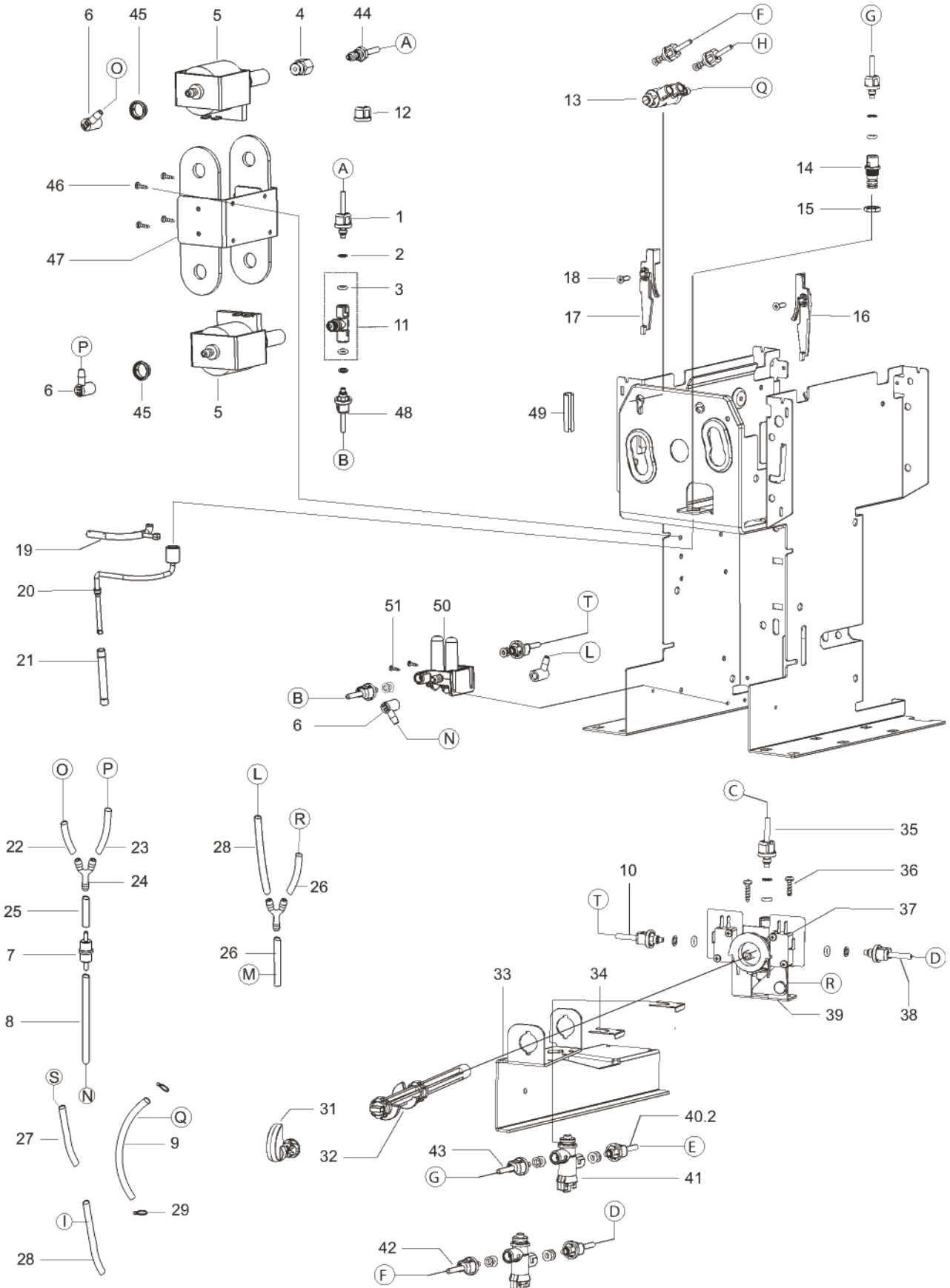
(From serial number 39640 to serial number 104468)

3/B

1/6

REF	LAVAZZA CODE	DESCRIPTION	NOTES
1	10060930	KIT 10 PTFE PIPE L=80mm	
	10079721	PTFE PIPE L=80mm	
2	10060966	KIT 100 WASHER 4,2X6,8X0,5 BRASS	
	10079764	WASHER 4.2X6.8X0,5	
3	10060967	KIT 100 O RING 2015 VITON	
	10079854	OR 2015 VITON	
4	10060960	KIT 50 QUICK COUPLING 1/8	
	10079928	QUICK COUPLING 1/8	
5	10099027	PUMP 230V-50Hz GW	
6	10079766	ELBOW CONNECTOR	
7	10079897	FILTER FOR SUCTION PIPE	
8	10079898	SILICON PIPE L= 290mm d.4X8	
9	10079899	SILICON PIPE L=600mm d.4X8	
10	10060933	KIT 10 PTFE PIPE L=260mm	
	10079723	PTFE PIPE L=260mm	
11	10079616	KIT 10 3-WAY BRASS CONNECTOR 1/8	
	10079909	3-WAY BRASS CONNECTOR 1/8	
12	10060935	KIT 25 QUICK COUPLING	
	10079770	QUICK COUPLING	
13	10060936	KIT 15 DUMP VALVE	
	10079741	DUMP VALVE	
14	10060937	KIT 15 STEAM PIPE CONNECTOR	
	10079745	STEAM PIPE CONNECTOR	
15	10088068	STEAM PIPE FIXING NUT	
16	10079744	FRONT PANEL RIGHT HOOK	
17	10079743	FRONT PANEL LEFT HOOK	
18	10060907	KIT 50 PARKER SCREW 3.5X13	
	10079742	PARKER SCREW 3.5X13	
19	10060908	KIT 5 STEAM PIPE HANDLE 2	
	10079892	STEAM PIPE HANDLE 2	
	10087271	KIT 5 STEAM PIPE HANDLE 2 GREY	From serial no. 76100
	10087273	STEAM PIPE HANDLE 2 GREY	From serial no. 76100
	10087272	KIT 5 STEAM PIPE HANDLE 2 CROM	From serial no. 76100
	10087274	STEAM PIPE HANDLE 2 CROM.	From serial no. 76100

HYDRAULIC/DISPENSING UNIT
(From serial number 39640 to serial number 104468)





HYDRAULIC/DISPENSING UNIT

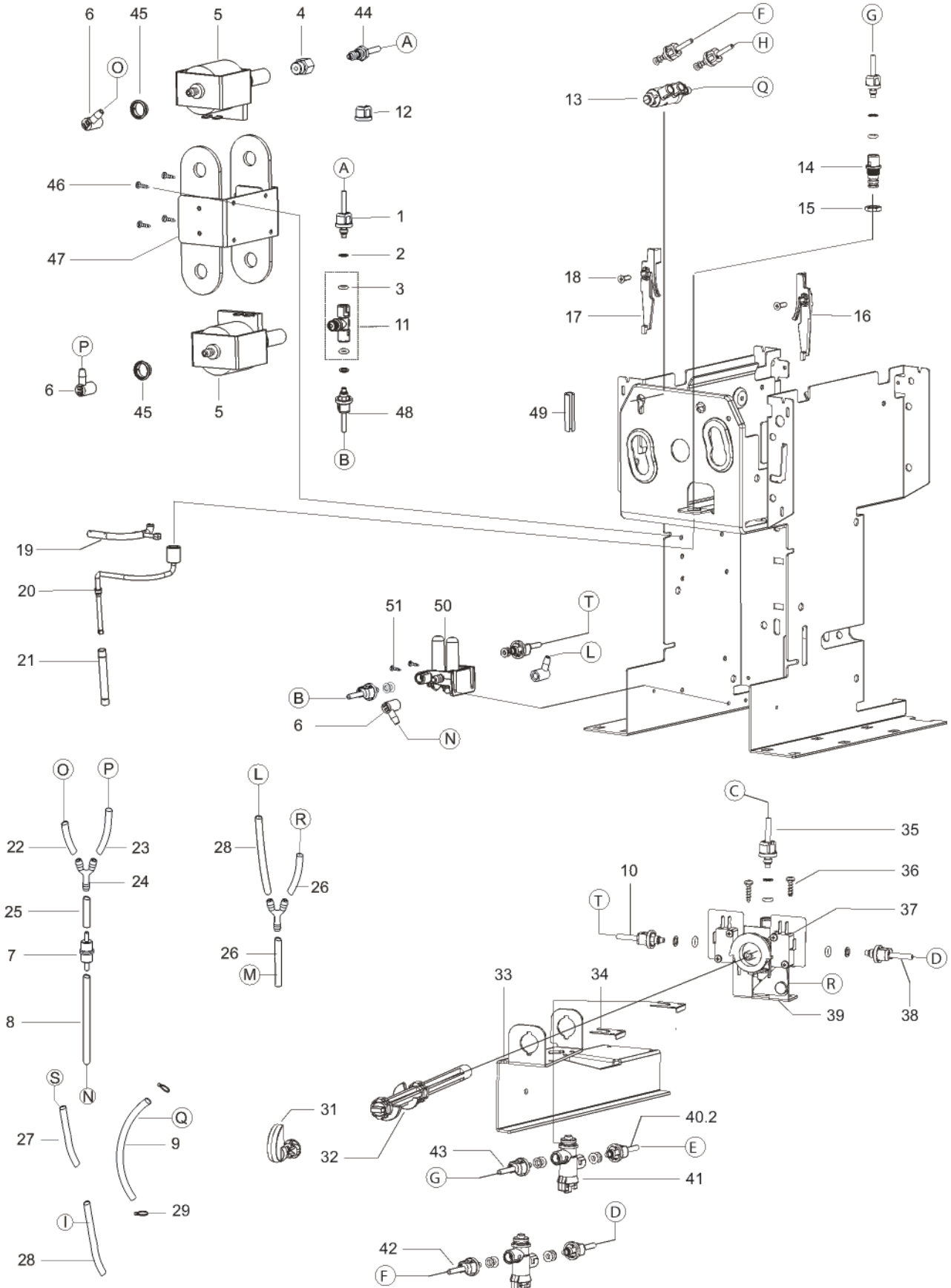
(From serial number 39640 to serial number 104468)

3/B

3/6

REF	LAVAZZA CODE	DESCRIPTION	NOTES
20	10060909	KIT 5 STEAM PIPE 2	
	10079893	STEAM PIPE 2	
21	10060940	KIT 5 POLISHED MILK FROTHING PIPE	
	10088070	POLISHED MILK FROTHING PIPE	
22	10079894	SILICON PIPE L= 50mm d.4X8	
23	10079895	SILICON PIPE L= 150mm d.4X8	
24	10079827	Y OUTLET CONNECTOR	
25	10079896	SILICON PIPE L= 40mm d.4X8	
26	10079736	SILICON PIPE L=100mm d.4X8	
27	10079738	SILICON PIPE L=141mm d.6X3	
28	10079739	SILICON PIPE L=270mm d.4X8	
29	10060941	KIT 100 HOSE CLAMP	
	10079855	HOSE CLAMP	
30	10079737	SILICON PIPE L=660mm d.4X8	
31	10060916	KIT 10 KNOB + JOINT	
	10079763	KNOB + JOINT	
	10087262	KIT 10 KNOB + JOINT GREY	From serial no. 76100
	10087264	KNOB + JOINT GREY	From serial no. 76100
	10087263	KIT 10 KNOB + JOINT CHROM.PLATED	From serial no. 76100
	10087265	KNOB + JOINT CHROM.PLATED	From serial no. 76100
32	10079790	DISPENSER SHAFT	
33	10079788	RETAINER	
34	10079787	VALVE CLAMP	
35	10060970	KIT 10 PTFE PIPE L=220mm BRASS	
	10079722	PTFE PIPE L=220mm BRASS	
36	10060917	KIT 50 PARKER SCREW 3.5X9.5	
	10088022	PARKER SCREW 3.5X9.5	
37	10079940	KIT 20 MICROSWITCH	
	10079941	MICROSWITCH GW	
38	10060943	KIT 10 PTFE PIPE L= 240 mm	
	10079725	PTFE PIPE L= 240 mm	
39	10079786	ASSEMBLED DISPENSING UNIT	
40	10060971	KIT 10 PTFE PIPE L= 410 mm BRASS	
	10079919	PTFE PIPE L= 410 mm BRASS	

HYDRAULIC/DISPENSING UNIT
(From serial number 39640 to serial number 104468)





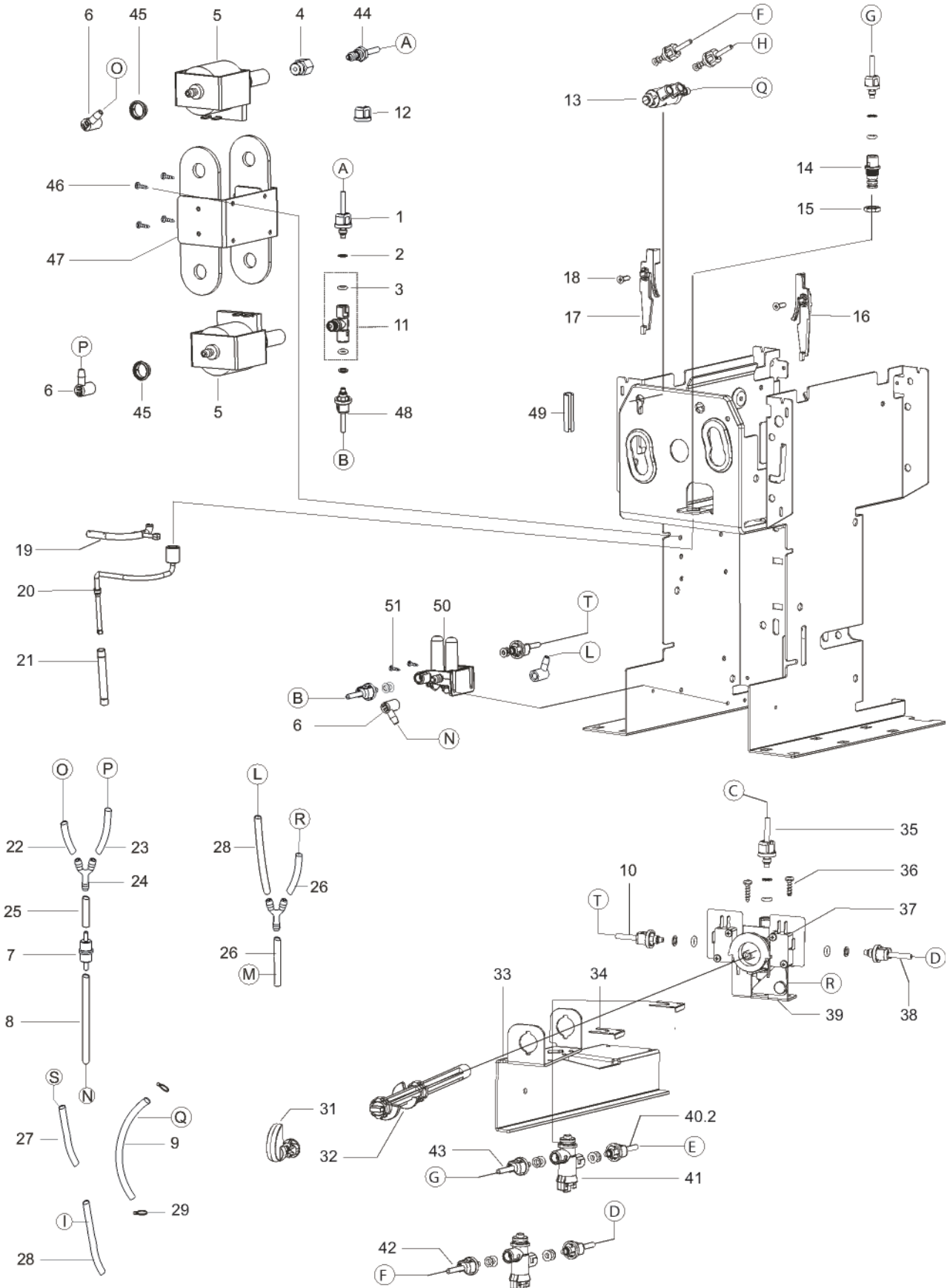
HYDRAULIC/DISPENSING UNIT
 (From serial number 39640 to serial number 104468)

3/B

5/6

REF	LAVAZZA CODE	DESCRIPTION	NOTES
41	10060946	KIT 20 ASSEMBLED VALVE	
	10079792	ASSEMBLED VALVE	
42	10060945	KIT 10 PTFE PIPE L= 440 mm	
	10079726	PTFE PIPE L= 440 mm	
43	10060947	KIT 10 PTFE PIPE L= 360 mm	
	10079728	PTFE PIPE L=360 mm	
44	10060969	KIT 10 PTFE PIPE L=115 mm BRASS	
	10079876	PTFE PIPE L=115 mm BRASS	
45	10079891	RING	
46	10060906	KIT 25 PARKER SCREW 3,5X6,5	
	10079890	PARKER SCREW 3.5X6.5	
47	10079889	COMPLETE PUMP SUPPORT BRACKET	
48	10060904	KIT 10 PTFE PIPE L=90 mm	
	10079885	PTFE PIPE L=90 mm	
49	10079888	SILENCER RUBBER FOR PTFE TUBE	
50	10079886	VIBRATION DAMPING UNIT	
51	10060905	KIT 50 PARKER SCREW 3,5X9,5	
	10079887	PARKER SCREW 3.5X9.5	

HYDRAULIC/DISPENSING UNIT
(From serial number 39640 to serial number 104468)





HYDRAULIC/DISPENSING UNIT

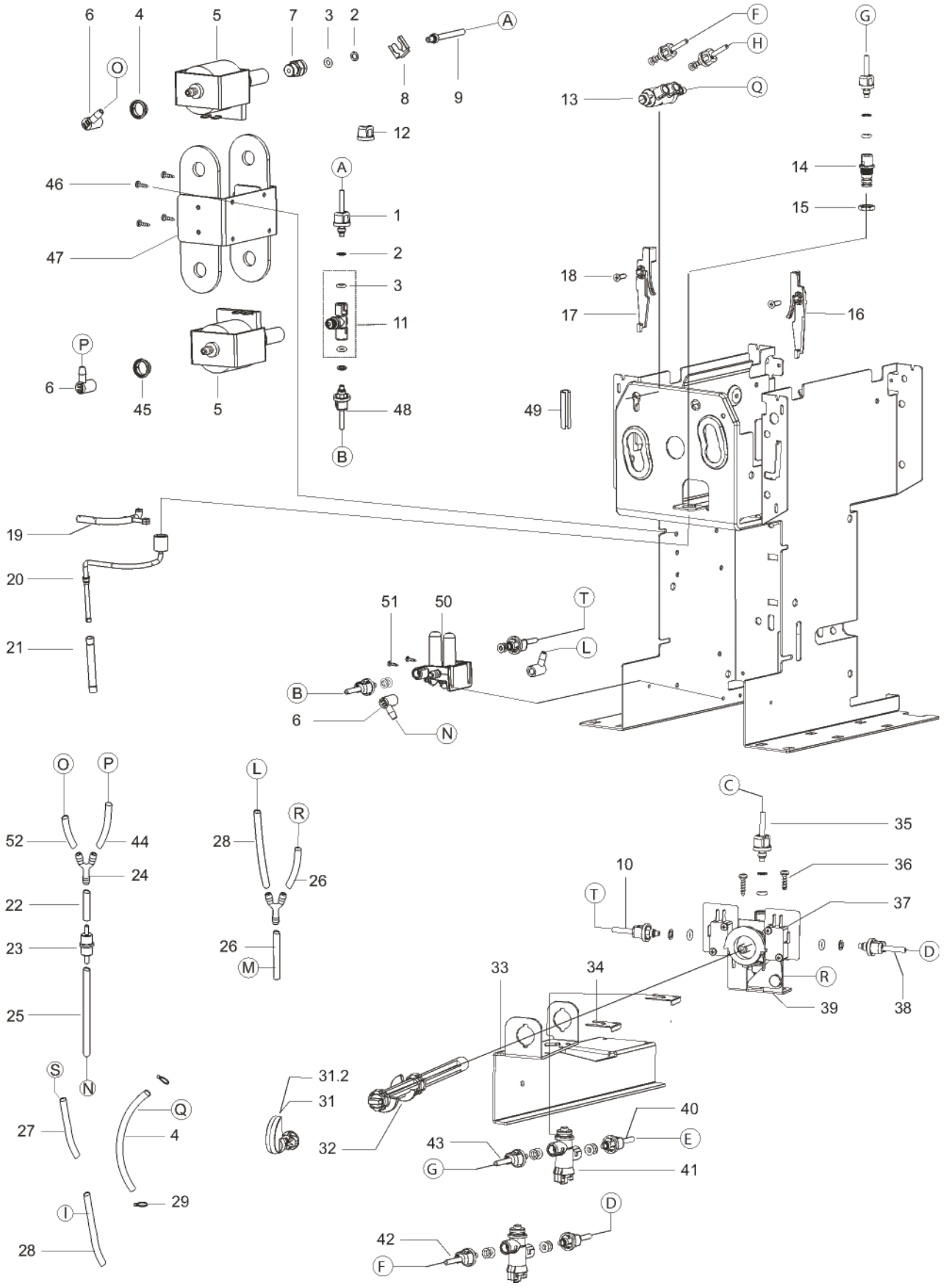
(From serial number 104469 ➡)

3/C

1/6

REF	LAVAZZA CODE	DESCRIPTION	NOTES
1	10060930	KIT 10 PTFE PIPE L=80mm	
	10079721	PTFE PIPE L=80mm	
2	10060966	KIT 100 WASHER 4,2X6,8X0,5 BRASS	
	10079764	WASHER 4.2X6.8X0,5	
3	10060967	KIT 100 O RING 2015 VITON	
	10079854	OR 2015 VITON	
4	10079899	SILICON PIPE L=600mm d.4X8	
5	10099027	KIT 10 PUMP 230V-50Hz GW	
6	10079766	ELBOW CONNECTOR	
7	10060985	BRASS QUICK COUPLING CONN.1/8 GAS	
	10079294	KIT 50 BRASS QUICK COUPL.CONN.1/8 GAS	
8	10088180	SPRING FOR QUICK COUPLING	
9	10060981	PTFE PIPE L=120 d.4X2 O.NEW+1CAP+SEAL	
10	10060933	KIT 10 PTFE PIPE L=260mm	
	10079723	PTFE PIPE L=260mm	
11	10079616	KIT 10 3-WAY BRASS CONNECTOR 1/8	
	10079909	3-WAY BRASS CONNECTOR 1/8	
12	10060935	KIT 25 QUICK COUPLING	
	10079770	QUICK COUPLING	
13	10060936	KIT 15 DUMP VALVE	
	10079741	DUMP VALVE	
14	10060937	KIT 15 STEAM PIPE CONNECTOR	
	10079745	STEAM PIPE CONNECTOR	
15	10088068	STEAM PIPE FIXING NUT	
16	10079744	FRONT PANEL RIGHT HOOK	
17	10079743	FRONT PANEL LEFT HOOK	
18	10060907	KIT 50 PARKER SCREW 3.5X13	
	10079742	PARKER SCREW 3.5X13	
19	10060908	KIT 5 STEAM PIPE HANDLE 2	
	10079892	STEAM PIPE HANDLE 2	
	10087271	KIT 5 STEAM PIPE HANDLE 2 GREY	From serial no. 76100
	10087273	STEAM PIPE HANDLE 2 GREY	From serial no. 76100
	10087272	KIT 5 STEAM PIPE HANDLE 2 CHROM.PL.	From serial no. 76100
	10087274	STEAM PIPE HANDLE 2 CHROM.PL.	From serial no. 76100

HYDRAULIC/DISPENSING UNIT
(From serial number 104469 ➔)





HYDRAULIC/DISPENSING UNIT

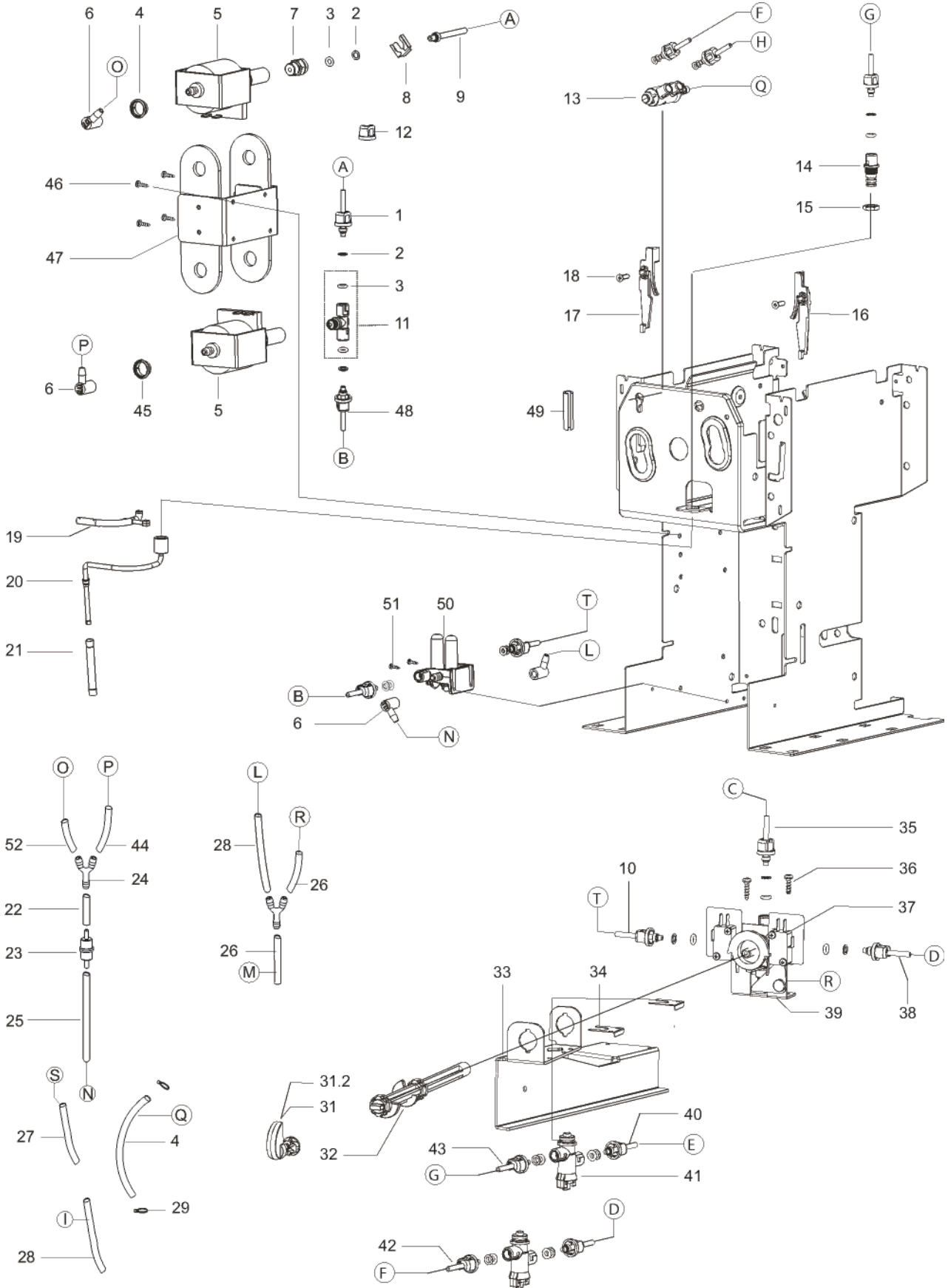
(From serial number 104469 ➡➡)

3/C

3/6

REF	LAVAZZA CODE	DESCRIPTION	NOTES
20	10060909	KIT 5 STEAM PIPE 2	
	10079893	STEAM PIPE 2	
21	10060940	KIT 5 POLISHED MILK FROTHING PIPE	
	10088070	POLISHED MILK FROTHING PIPE	
22	10079896	SILICON PIPE L= 40mm d.4X8	
23	10079897	FILTER FOR SUCTION PIPE	
24	10079827	Y OUTLET CONNECTOR	
25	10079898	SILICON PIPE L= 290mm d.4X8	
26	10079736	SILICON PIPE L=100mm d.4X8	
27	10079738	SILICON PIPE L=141mm d.6X3	
28	10079739	SILICON PIPE L=270mm d.4X8	
29	10060941	KIT 100 HOSE CLAMP	
	10079855	HOSE CLAMP	
30	10079737	SILICON PIPE L=660mm d.4X8	
31	10060916	KIT 10 KNOB + JOINT	
	10079763	KNOB + JOINT	
	10087262	KIT 10 KNOB + JOINT GREY	From serial no. 76100
	10087264	KNOB + JOINT GREY	From serial no. 76100
	10087263	KIT 10 KNOB + JOINT CHROM.PLATED	From serial no. 76100
	10087265	KNOB + JOINT CHROM.PLATED	From serial no. 76100
32	10079790	DISPENSER SHAFT	
33	10079788	RETAINER	
34	10079787	VALVE CLAMP	
35	10060982	PTFE PIPE L=220mm d.4X2 O.NEW+CAP	
36	10060917	KIT 50 PARKER SCREW 3.5X9.5	
	10088022	PARKER SCREW 3.5X9.5	
37	10079940	KIT 20 MICROSWITCH	
	10079941	MICROSWITCH GW	
38	10060943	KIT 10 PTFE PIPE L= 240 mm	
	10079725	PTFE PIPE L= 240 mm	
39	10079786	ASSEMBLED DISPENSING UNIT	
40	10060983	TUBO TEFL=410mm d.4X2 O.NEW+CAP	
41	10060946	KIT 20 ASSEMBLED VALVE	
	10079792	ASSEMBLED VALVE	

HYDRAULIC/DISPENSING UNIT
(From serial number 104469 ➔)





HYDRAULIC/DISPENSING UNIT

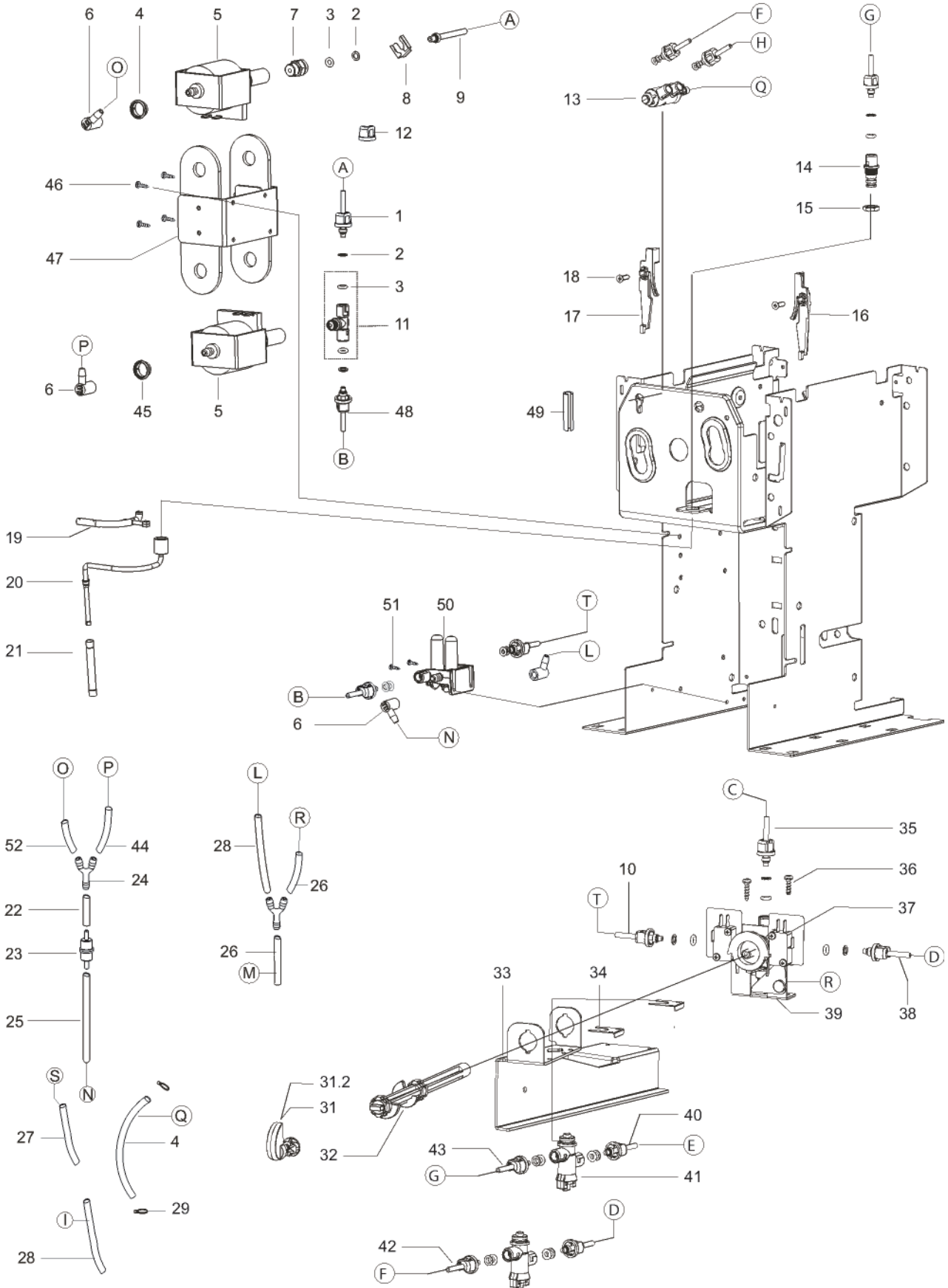
(From serial number 104469 ➡➡)

3/C

5/6

REF	LAVAZZA CODE	DESCRIPTION	NOTES
42	10060945	KIT 10 PTFE PIPE L= 440 mm	
	10079726	PTFE PIPE L= 440 mm	
43	10060947	KIT 10 PTFE PIPE L= 360 mm	
	10079728	PTFE PIPE L=360 mm	
44	10079895	SILICON PIPE L= 150mm d.4X8	
45	10079891	RING	
46	10060906	KIT 25 PARKER SCREW 3,5X6,5	
	10079890	PARKER SCREW 3.5X6.5	
47	10079889	COMPLETE PUMP SUPPORT BRACKET	
48	10060904	KIT 10 PTFE PIPE L=90 mm	
	10079885	PTFE PIPE L=90 mm	
49	10079888	SILENCER RUBBER FOR PTFE TUBE	
50	10079886	VIBRATION DAMPING UNIT	
51	10060905	KIT 50 PARKER SCREW 3,5X9,5	
	10079887	PARKER SCREW 3.5X9.5	
52	10079894	SILICON PIPE L= 50mm d.4X8	

HYDRAULIC/DISPENSING UNIT
(From serial number 104469 ➔)





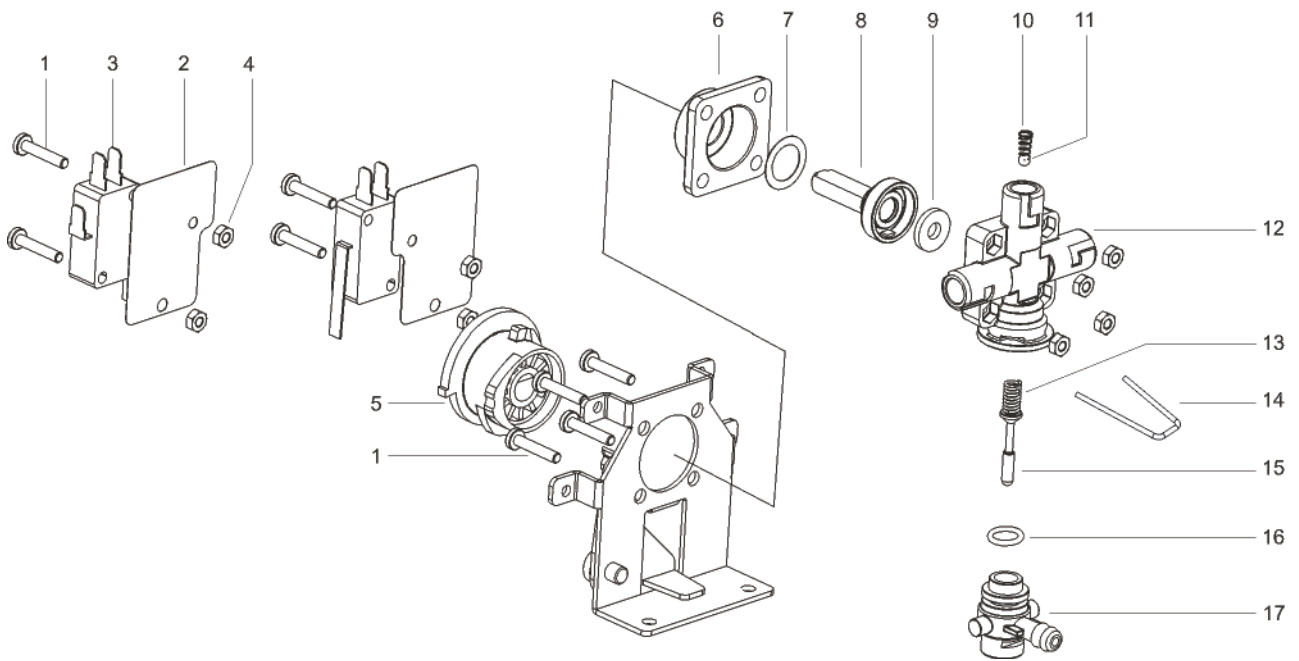
DISPENSING UNIT
(Until serial number ➡ 108762)

4

1/2

REF	LAVAZZA CODE	DESCRIPTION	NOTES
1	10060926	KIT 50 SCREW M3X16	
	10089021	SCREW M3X16	
2	10088113	MICROSWITCH INSULATOR MYLER PAPER	
3	10079705	MICROSWITCH	
4	10060928	KIT 50 GALVANIZED HEXAGON NUT M3	
	10088028	GALVANIZED HEXAGON NUT M3	
5	10079929	DISPENSER CONTROL CAME	
6	10079922	DISPENSER FLANGE	
7	10079927	WASHER	
8	10079923	DISPENSER CONTROL PIN	
9	10079930	PTFE WASHER	
10	10079933	SPRING FOR BALL	
11	10079934	BALL	
12	10079921	DISPENSER BODY	
13	10079926	SPRING FOR NEEDLE	
14	10079932	LOCK SPRING	
15	10079925	DISPENSER NEEDLE	
16	10079931	OR 2031 VITON	
17	10079924	ASSEMBLED DISPENSER VALVE	

DISPENSING UNIT
 (Until serial number ➔ 108762)





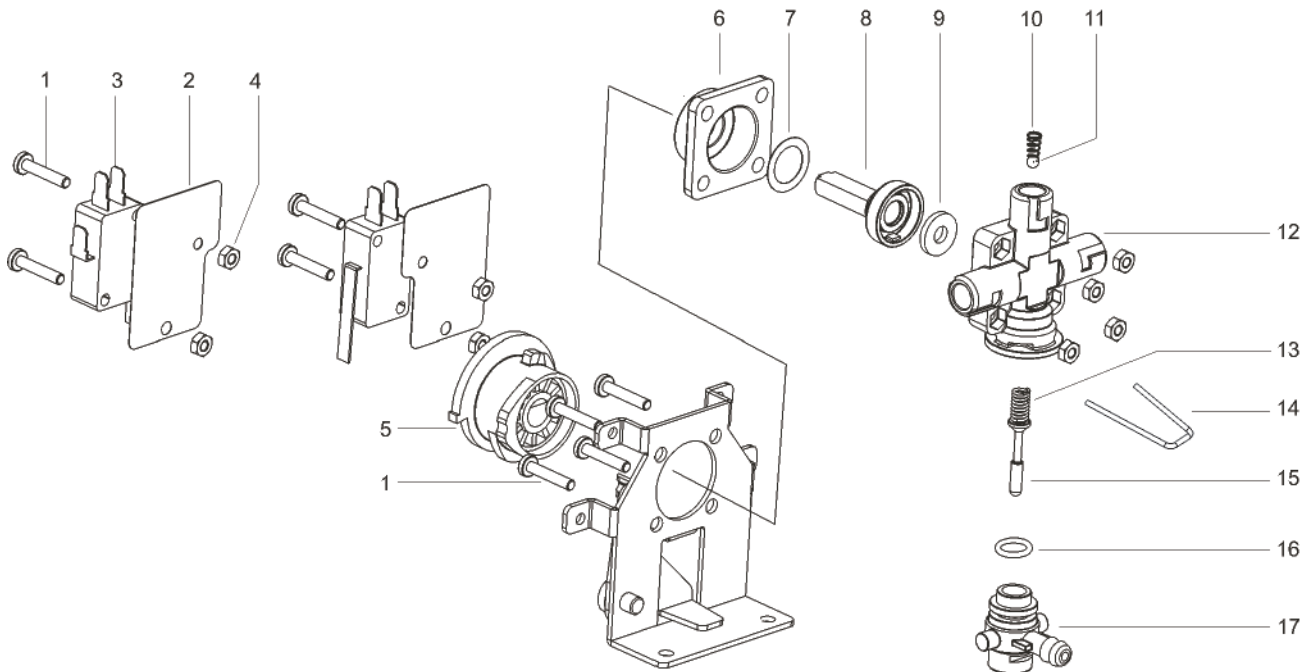
DISPENSING UNIT
(From serial number 108763 ➡➡)

4/A

1/2

REF	LAVAZZA CODE	DESCRIPTION	NOTES
1	10060926	KIT 50 SCREW M3X16	
	10089021	SCREW M3X16	
2	10079947	MICROSWITCH INS.PTFE 42X32X0.3	
3	10079940	KIT 20 MICROSWITCH	
	10079941	MICROSWITCH GW	
4	10060928	KIT 50 GALVANIZED HEXAGON NUT M3	
	10088028	GALVANIZED HEXAGON NUT M3	
5	10079929	DISPENSER CONTROL CAME	
6	10079922	DISPENSER FLANGE	
7	10079927	WASHER	
8	10079923	DISPENSER CONTROL PIN	
9	10079930	PTFE WASHER	
10	10079933	SPRING FOR BALL	
11	10079934	BALL	
12	10079921	DISPENSER BODY	
13	10079926	SPRING FOR NEEDLE	
14	10079932	LOCK SPRING	
15	10079925	DISPENSER NEEDLE	
16	10079931	OR 2031 VITON	
17	10079924	ASSEMBLED DISPENSER VALVE	

DISPENSING UNIT
 (From serial number 108763 ➡➡)





BOILER

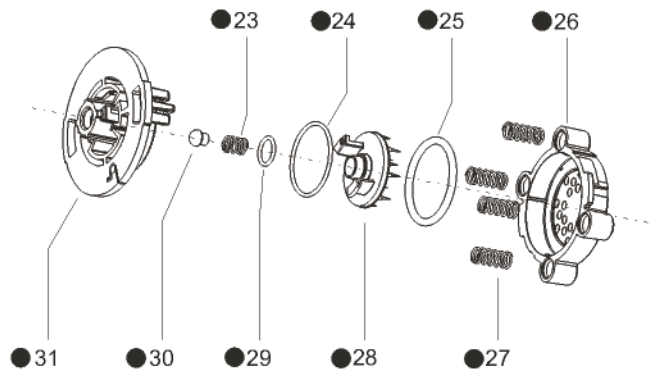
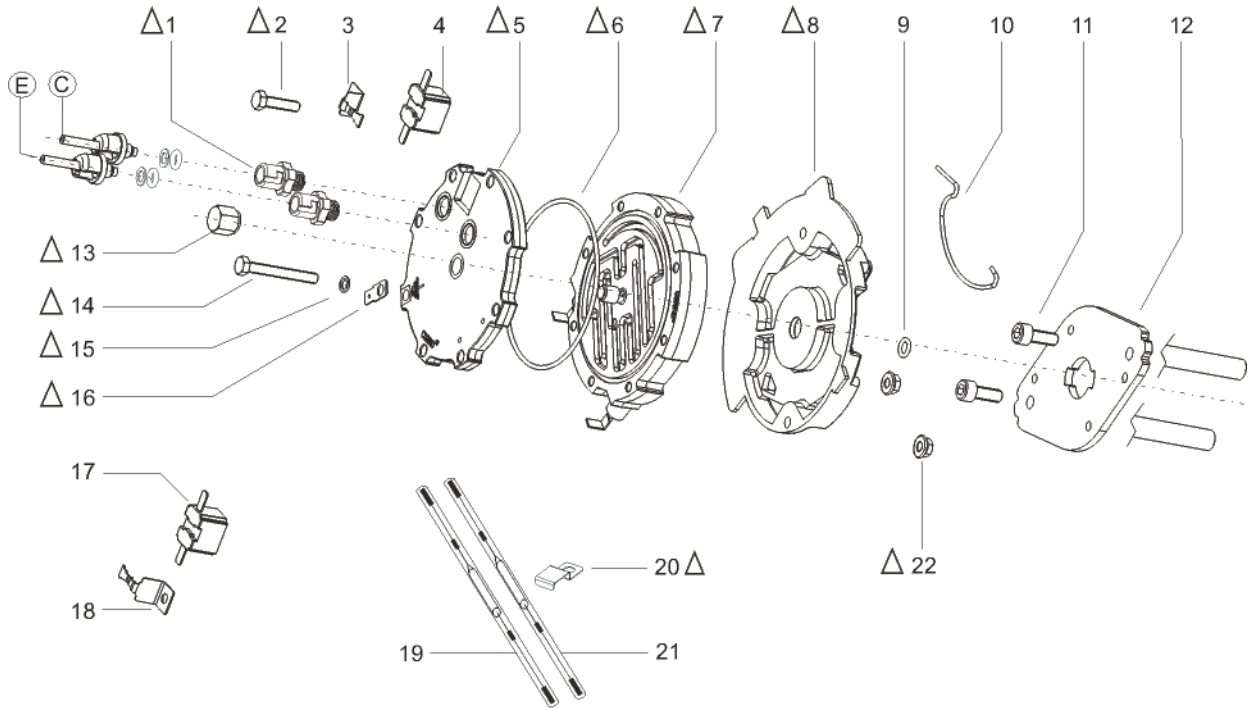
(Until serial number ➔ 36499)

5

1/4

REF	LAVAZZA CODE	DESCRIPTION	NOTES
1	10079765	QUICK COUPLING 1/8	(△) See Technical Info 23
	10060931	KIT 50 QUICK COUPLING 1/8	See Technical Info 23
2	10060948	KIT 50 SCREW M5X20	
	10079822	SCREW M5X20	(△)
3	10079825	LOW THERMOSTAT BRACKET	
4	10088046	THERMOSTAT 130°C FASTON 90°	
5	10079819	UPPER BOILER PLATE	(△)
6	10060989	KIT 25 O RING 79X2 SILICON	
	10060988	OR 79X2 SILICON	(△)
7	10079818	PLATE BOILER 230V 930 W	(△)
8	10079817	BOILER SUPPORT FLANGE	(△)
9	10088069	OR 2025 IN VITON	
10	10060950	KIT 15 BOILER SPRING	
	10079812	BOILER SPRING	
11	10060952	KIT 50 SCREW M6X18	
	10079793	SCREW M6X18	
12	10079795	GROUP SUPPORT PLATE	
13	10079824	FIXING NUT	(△)
14	10060949	KIT 50 SCREW M5X40	
	10079823	SCREW M5X40	(△)
15	10079821	TOOTHED WASHER /5	(△)
16	10079820	STRAIGHT FASTON 6.3X0.8	(△)
17	10079850	THERMOSTAT N.C. 100°C FASTON 180°	
18	10087020	HIGH THERMOSTAT BRACKET	
19	10079904	THERMAL FUSE 167° BLUE	
20	10088109	THERMAL FUSE BRACKET	(△)
21	10079905	THERMAL FUSE 167° BROWN	
22	10060951	KIT 50 STAINLESS STEEL NUT M5	
	10079816	STAINLESS STEEL NUT M5	(△)
23	10060954	KIT 25 SPRING VALVE	
	10079810	SPRING VALVE	(●)
24	10060956	KIT 25 O RING 2131 SILICON ShA 70	
	10079731	O RING 2131 SILICON ShA 70	(●)
25	10060957	KIT 25 O RING 4143 SILICON ShA 70	
	10079730	O RING 4143 SILICON ShA 70	(●)
26	10079807	CAPSULE PRESSER	(●)

BOILER
(Until serial number ➔ 36499)



Assembled groups

32	△
33	●



BOILER
(Until serial number ➡➡ 36499)

5

3/4

REF	LAVAZZA CODE	DESCRIPTION	NOTES
27	10060958	KIT 50 CAPSULE PRESSER SPRING	
	10079808	CAPSULE PRESSER SPRING	(●)
28	10079809	CAPSULE PUNCHER	(●)
29	10060955	KIT 25 O RING 114 SILICON ShA 70	
	10079732	O RING 114 SILICON ShA 70	(●)
30	10060953	KIT 25 CAPSULE PUNCHER VALVE	
	10079811	CAPSULE PUNCHER VALVE	(●)
31	10079813	SHOWER HEAD RING	(●)
32	10079862	ASSEMBLED BOILER	Assembled (△)
	10060978	ASSEMBLED BOILER WITHOUT THERMOSTATS	Assembled (△)
33	10079863	ASS. CAPSULE PRESSER	Assembled (●)



BOILER

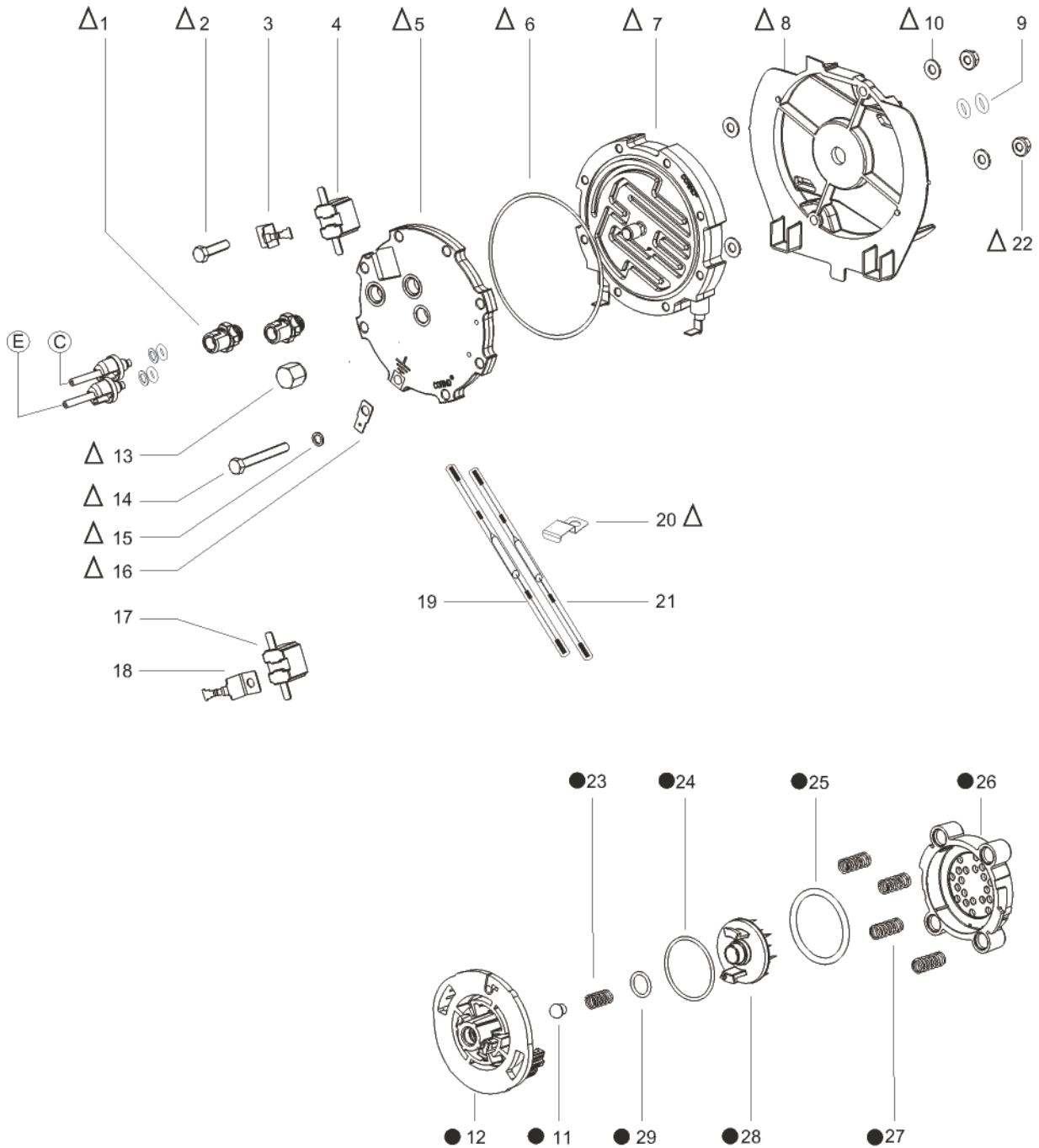
(from serial number 36500 to serial number 39639)

5/A

1/4

REF	LAVAZZA CODE	DESCRIPTION	NOTES
1	10079765	QUICK COUPLING 1/8	(△) See Technical Info 23
	10060931	KIT50 QUICK COUPLING 1/8	See Technical Info 23
2	10060948	KIT 50 SCREW M5X20	
	10079822	SCREW M5X20	(△)
3	10079825	LOW THERMOSTAT BRACKET	
4	10088046	THERMOSTAT 130°C FASTON 90°	
5	10079819	UPPER BOILER PLATE	(△)
6	10060989	KIT 25 O RING 79X2 SILICON	
	10060988	OR 79X2 SILICON	(△)
7	10079818	PLATE BOILER 230V 930 W	(△)
8	10079910	BOILER SUPPORT FLANGE 2	(△)
9	10088069	OR 2025 IN VITON	
10	10079911	INSULATING WASHER	(△)
11	10060953	KIT 25 CAPSULE PUNCHER VALVE	
	10079811	CAPSULE PUNCHER VALVE	(●)
12	10079813	SHOWER HEAD RING	(●)
13	10079824	FIXING NUT	(△)
14	10060949	KIT 50 SCREW M5X40	
	10079823	SCREW M5X40	(△)
15	10079821	TOOTHED WASHER /5	(△)
16	10079820	STRAIGHT FASTON 6.3X0.8	(△)
17	10079850	THERMOSTAT N.C. 100°C FASTON 180°	
18	10087020	HIGH THERMOSTAT BRACKET	
19	10079904	THERMAL FUSE 167° BLUE	
20	10088109	THERMAL FUSE BRACKET	(△)
21	10079905	THERMAL FUSE 167° BROWN	
22	10060951	KIT 50 STAINLESS STEEL NUT M5	
	10079816	STAINLESS STEEL NUT M5	(△)
23	10060954	KIT 25 SPRING VALVE	
	10079810	SPRING VALVE	(●)
24	10060956	KIT 25 O RING 2131 SILICON ShA 70	
	10079731	O RING 2131 SILICON ShA 70	(●)
25	10060957	KIT 25 O RING 4143 SILICON ShA 70	
	10079730	O RING 4143 SILICON ShA 70	(●)

BOILER
(from serial number 36500 to serial number 39639)



Assembled groups

30	●
31	Δ



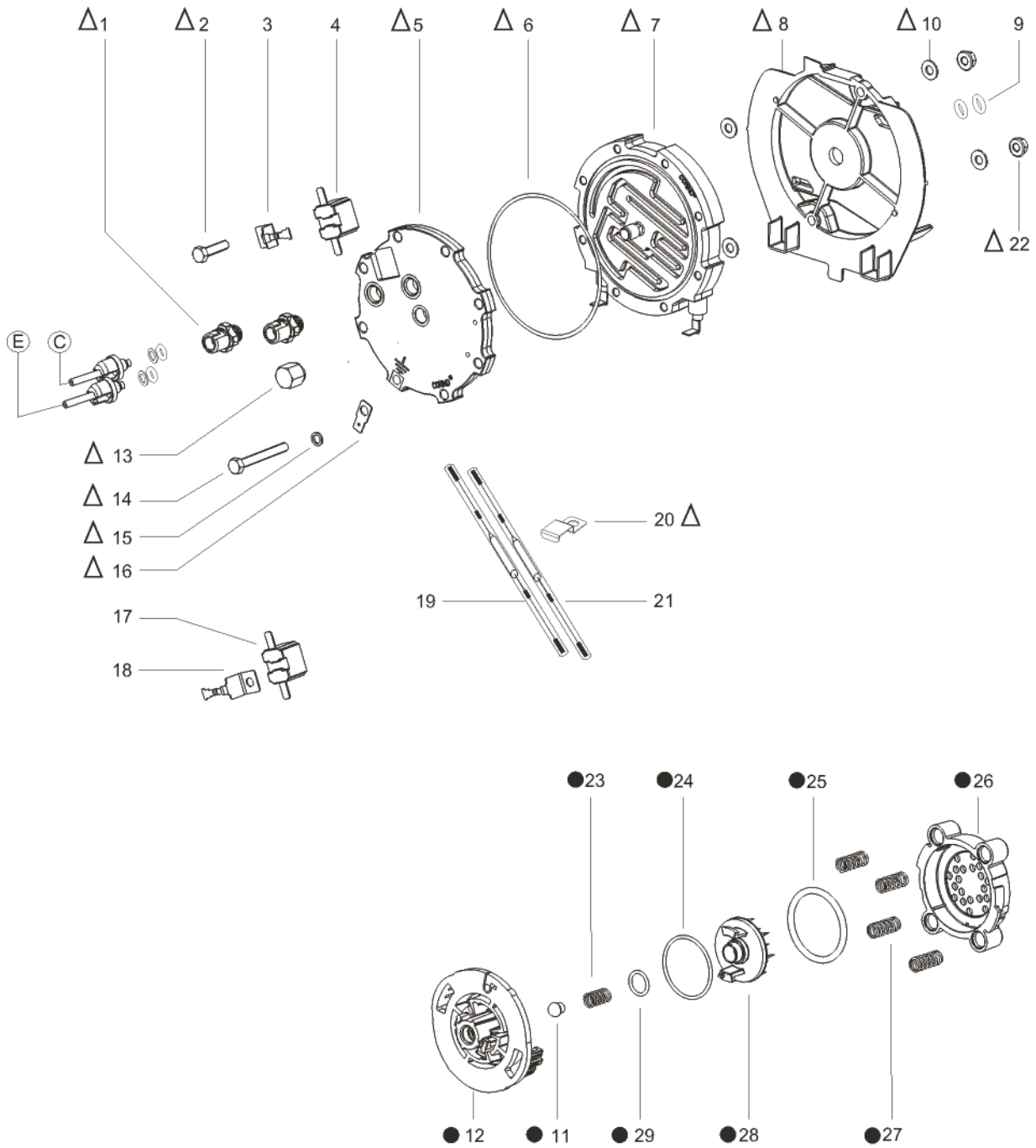
BOILER
(from serial number 36500 to serial number 39639)

5/A

3/4

REF	LAVAZZA CODE	DESCRIPTION	NOTES
26	10079807	CAPSULE PRESSER	(●)
27	10060958	KIT 50 CAPSULE PRESSER SPRING	
	10079808	CAPSULE PRESSER SPRING	(●)
28	10079809	CAPSULE PUNCHER	(●)
29	10060955	KIT 25 O RING 114 SILICON ShA 70	
	10079732	O RING 114 SILICON ShA 70	(●)
30	10079863	ASSEMBLED CAPSULE PRESSER	Assembled (●)
31	10079912	ASSEMBLED BOILER 2	Assembled (△)
	10079843	ASS. BOILER 2 WITHOUT THERMOSTATS	Assembled (△)

BOILER
(from serial number 36500 to serial number 39639)



Assembled groups

30	●
31	Δ



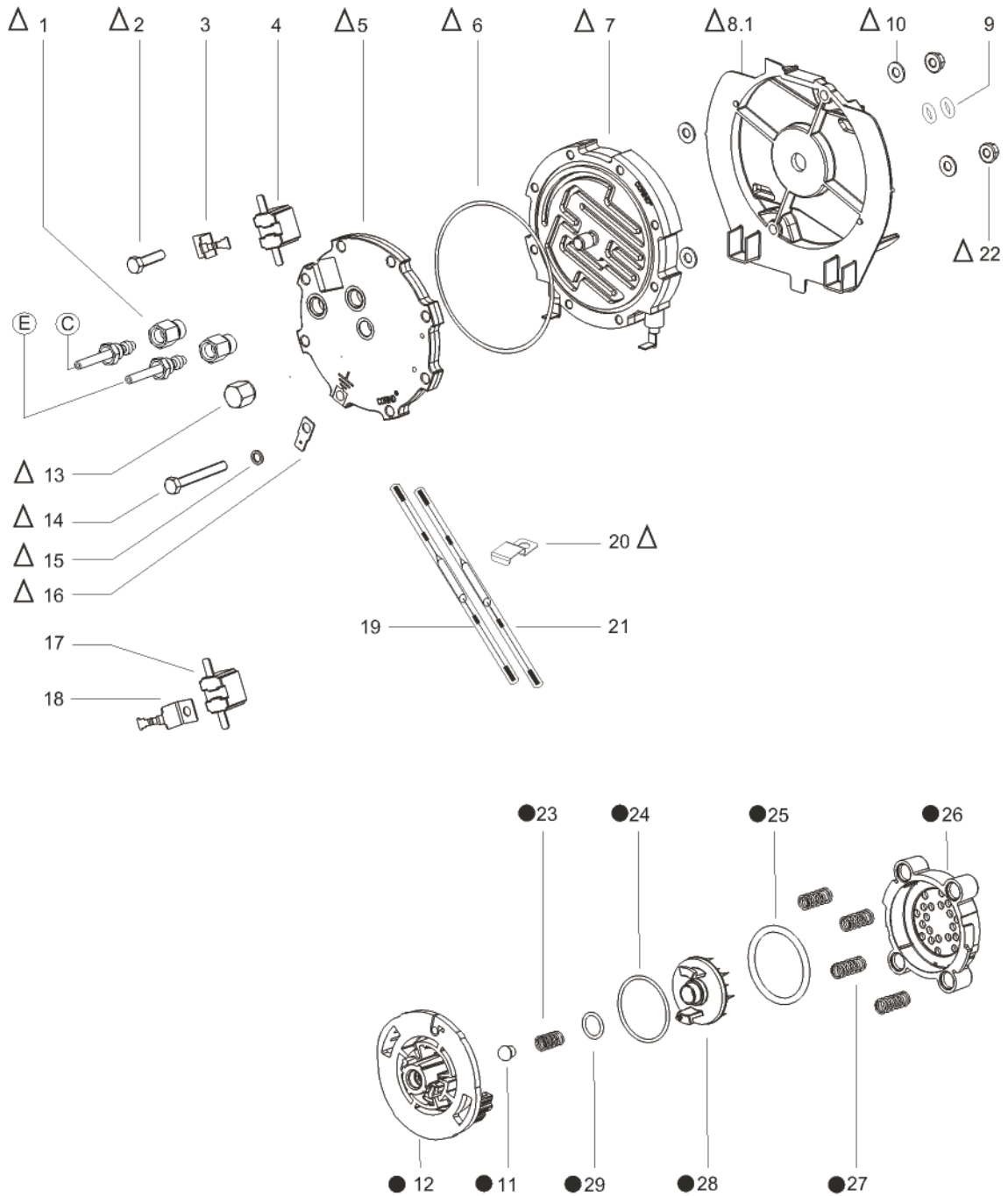
BOILER
(from serial number 39640 to serial number 104468)

5/B

1/4

REF	LAVAZZA CODE	DESCRIPTION	NOTES
1	10060972	KIT 50 BRASS COUPLING 1/8 GAS (BOILER)	
	10079920	BRASS COUPLING 1/8 GAS (BOILER)	(△)
2	10060948	KIT 50 SCREW M5X20	
	10079822	SCREW M5X20	(△)
3	10079825	LOW THERMOSTAT BRACKET	
4	10088046	THERMOSTAT 130°C FASTON 90°	
	10079819	UPPER BOILER PLATE	
5	10060989	KIT 25 O RING 79X2 SILICON	(△)
6	10060988	OR 79X2 SILICON	(△)
7	10079818	PLATE BOILER 230V 930 W	(△)
8	10079910	BOILER SUPPORT FLANGE 2	(△)
9	10088069	OR 2025 IN VITON	
10	10079911	INSULATING WASHER	(△)
11	10060953	KIT 25 CAPSULE PUNCHER VALVE	
	10079811	CAPSULE PUNCHER VALVE	(●)
12	10079813	SHOWER HEAD RING	(●)
13	10079824	FIXING NUT	(△)
14	10060949	KIT 50 SCREW M5X40	
	10079823	SCREW M5X40	(△)
15	10079821	TOOTHED WASHER /5	(△)
16	10079820	STRAIGHT FASTON 6.3X0.8	(△)
17	10079850	THERMOSTAT N.C. 100°C FASTON 180°	
18	10087020	HIGH THERMOSTAT BRACKET	
19	10079904	THERMAL FUSE 167° BLUE	
20	10088109	THERMAL FUSE BRACKET	(△)
21	10079905	THERMAL FUSE 167° BROWN	
22	10060951	KIT 50 STAINLESS STEEL NUT M5	
	10079816	STAINLESS STEEL NUT M5	(△)
23	10060954	KIT 25 SPRING VALVE	
	10079810	SPRING VALVE	(●)
24	10060956	KIT 25 O RING 2131 SILICON ShA 70	
	10079731	O RING 2131 SILICON ShA 70	(●)
25	10060957	KIT 25 O RING 4143 SILICON ShA 70	
	10079730	O RING 4143 SILICON ShA 70	(●)

BOILER
 (from serial number 39640 to serial number 104468)



Assembled groups

30	●
31	Δ



BOILER

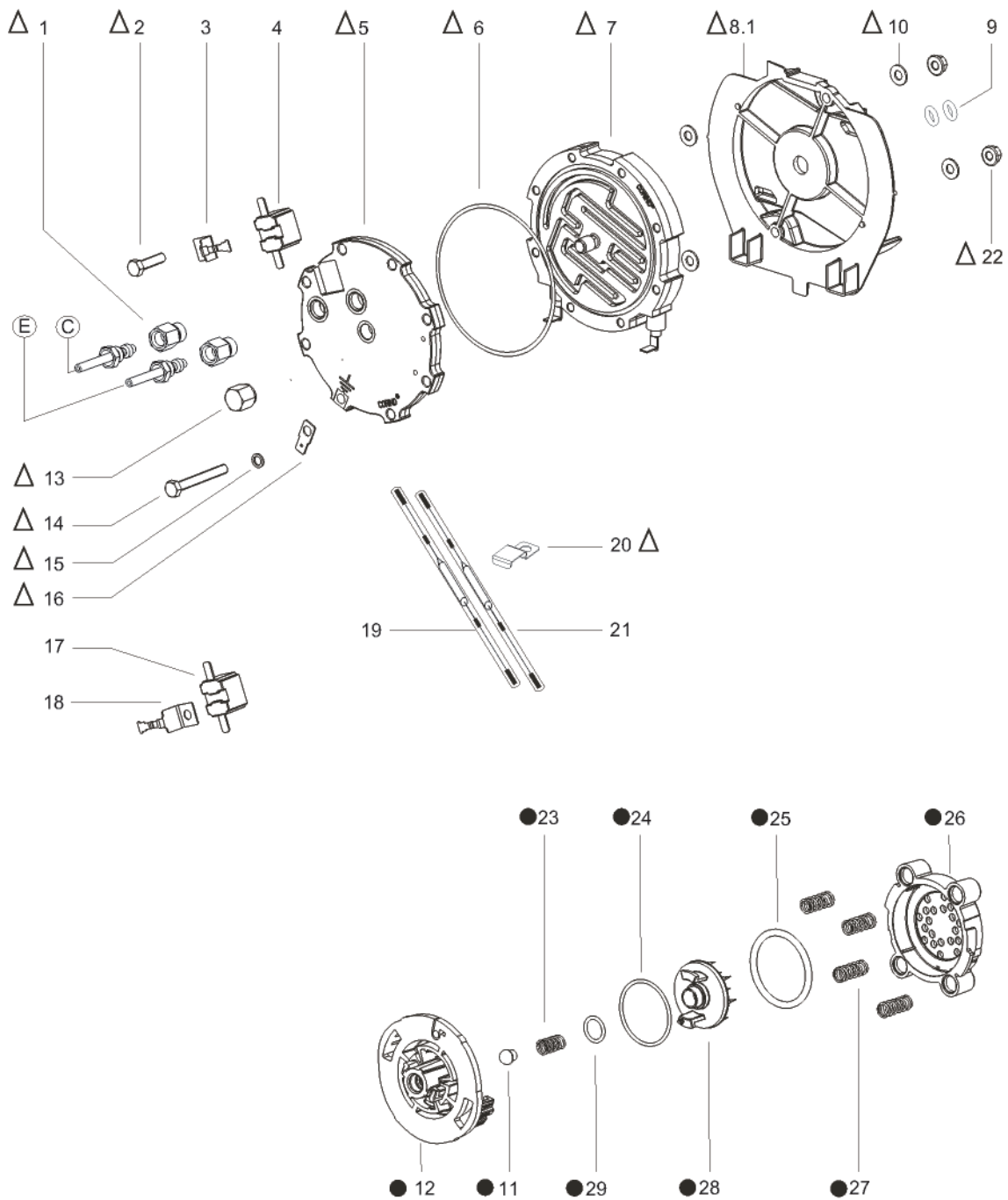
(from serial number 39640 to serial number 104468)

5/B

3/4

REF	LAVAZZA CODE	DESCRIPTION	NOTES
26	10079807	CAPSULE PRESSER	(●)
27	10060958	KIT 50 CAPSULE PRESSER SPRING	
	10079808	CAPSULE PRESSER SPRING	(●)
28	10079809	CAPSULE PUNCHER	(●)
29	10060955	KIT 25 O RING 114 SILICON ShA 70	
	10097932	O RING 114 SILICON ShA 70	(●)
30	10079863	ASSEMBLED CAPSULE PRESSER	Assembled (●)
31	10079670	ASS. BOILER VER3 WITHOUT THERMOSTATS	Assembled (△)
	10079902	ASSEMBLED BOILER VER3	Assembled (△)

BOILER
(from serial number 39640 to serial number 104468)



Assembled groups

30	●
31	△



BOILER

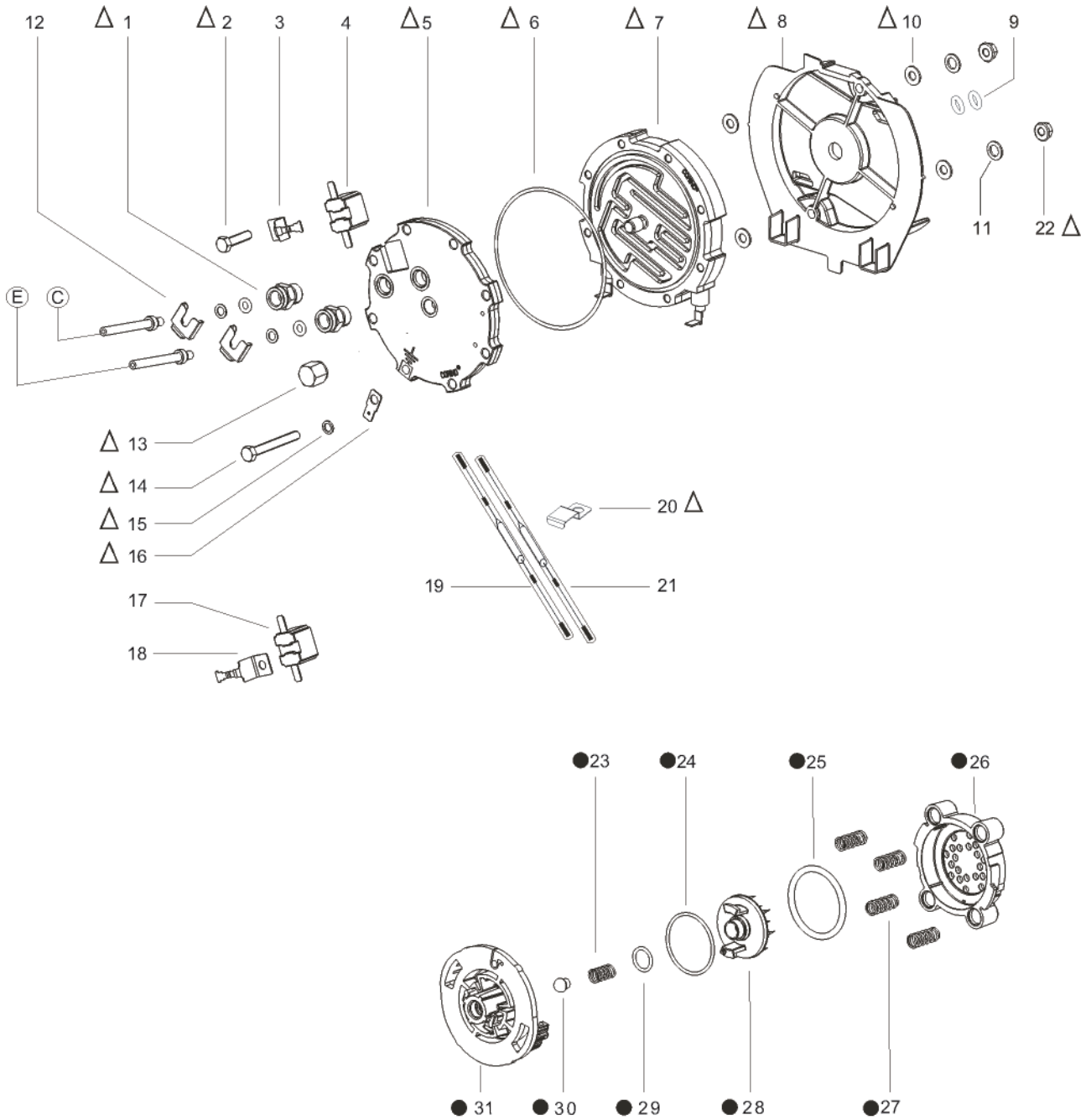
(From serial number 104469 ➡)

5/C

1/4

REF	LAVAZZA CODE	DESCRIPTION	NOTES
1	10079294	KIT 50 BRASS QUICK COUPL.CONN.1/8 GAS	
	10060985	BRASS QUICK COUPLING CONN.1/8 GAS	(△)
2	10060948	KIT 50 SCREW M5X20	
	10079822	SCREW M5X20	(△)
3	10079825	LOW THERMOSTAT BRACKET	
4	10088046	THERMOSTAT 130°C FASTON 90°	
5	10079819	UPPER BOILER PLATE	(△)
6	10060989	KIT 25 O RING 79X2 SILICON	
	10060988	OR 79X2 SILICON	(△)
7	10079818	PLATE BOILER 230V 930 W	(△)
8	10079910	BOILER SUPPORT FLANGE 2	(△)
9	10088069	OR 2025 IN VITON	
10	10079911	INSULATING WASHER	(△)
11	10060984	FLAT WASHER /5 STAINLESS STEEL	
12	10088180	SPRING FOR QUICK COUPLING	
13	10079824	FIXING NUT	(△)
14	10060949	KIT 50 SCREW M5X40	
	10079823	SCREW M5X40	(△)
15	10079821	TOOTHED WASHER /5	(△)
16	10079820	STRAIGHT FASTON 6.3X0.8	(△)
17	10079850	THERMOSTAT N.C. 100°C FASTON 180°	
18	10087020	HIGH THERMOSTAT BRACKET	
19	10079904	THERMAL FUSE 167° BLUE	
20	10088109	THERMAL FUSE BRACKET	(△)
21	10079905	THERMAL FUSE 167° BROWN	
22	10060973	KIT 50 STAINLESS STEEL LOCK NUT M5	
	10060974	STAINLESS STEEL LOCK NUT M5	(△)
23	10060954	KIT 25 SPRING VALVE	
	10079810	SPRING VALVE	(●)
24	10060956	KIT 25 O RING 2131 SILICON ShA 70	
	10079731	O RING 2131 SILICON ShA 70	(●)
25	10060957	KIT 25 O RING 4143 SILICON ShA 70	
	10079730	O RING 4143 SILICON ShA 70	(●)
26	10079807	CAPSULE PRESSER	(●)

BOILER
(From serial number 104469 ➡➡)



Assembled groups

32	●
33	Δ



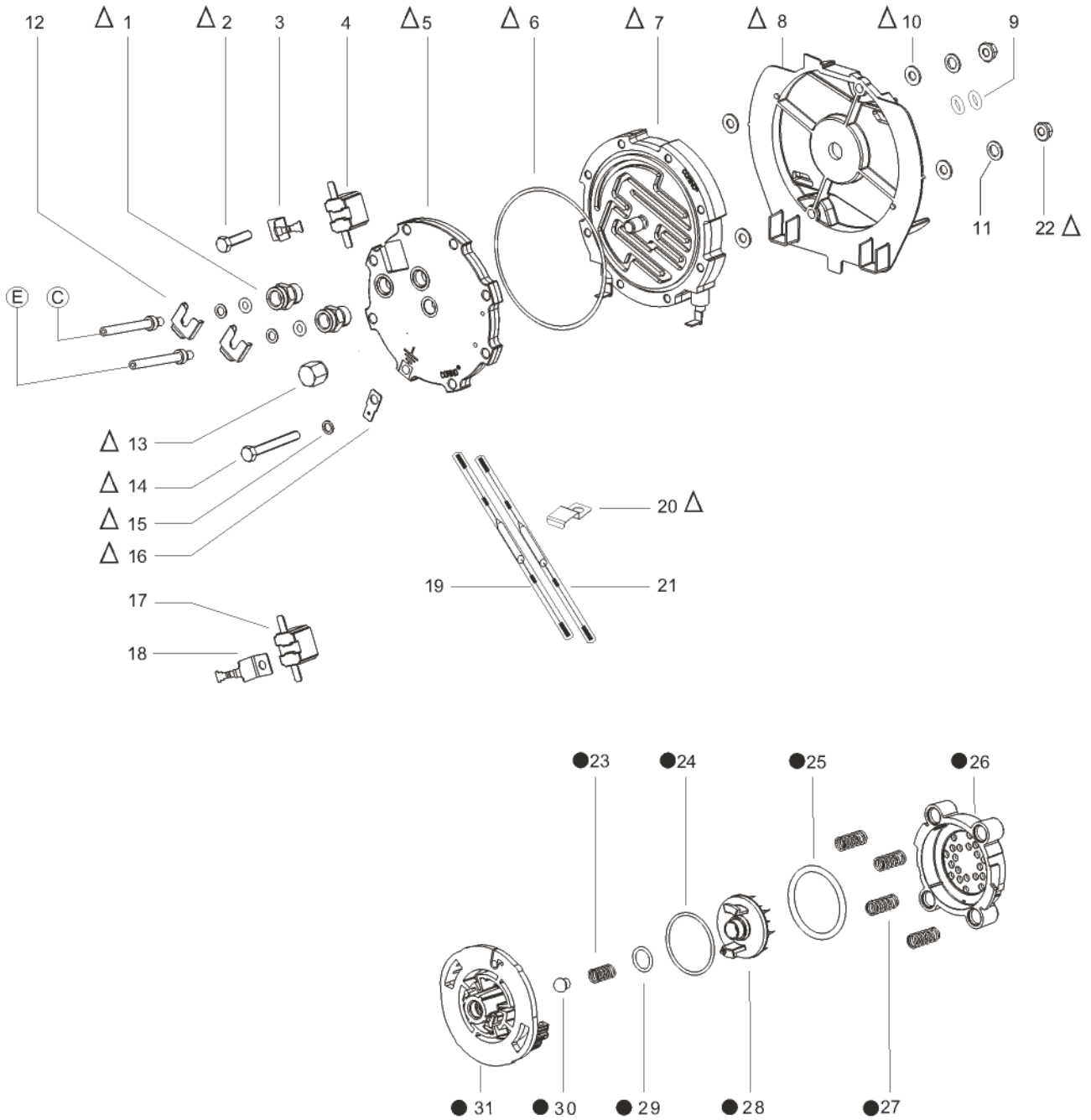
BOILER
(From serial number 104469 ➡➡)

5/C

3/4

REF	LAVAZZA CODE	DESCRIPTION	NOTES
27	10060958	KIT 50 CAPSULE PRESSER SPRING	
	10079808	CAPSULE PRESSER SPRING	(●)
28	10079809	CAPSULE PUNCHER	(●)
29	10060955	KIT 25 O RING 114 SILICON ShA 70	
	10097932	O RING 114 SILICON ShA 70	(●)
30	10060953	KIT 25 CAPSULE PUNCHER VALVE	
	10079811	CAPSULE PUNCHER VALVE	(●)
31	10079813	SHOWER HEAD RING	(●)
32	10079863	ASSEMBLED CAPSULE PRESSER	Assembled (●)
33	10060980	ASS. BOILER VER4 WITHOUT THERMOSTATS	Assembled (△)

BOILER
(From serial number 104469 ➔)



Assembled groups

32	●
33	△



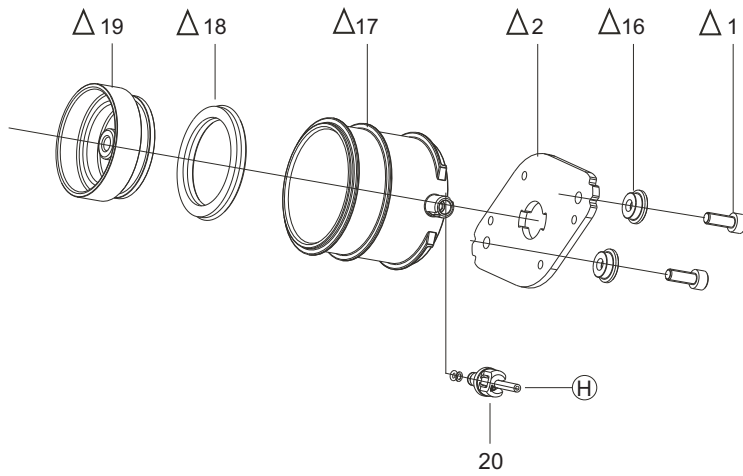
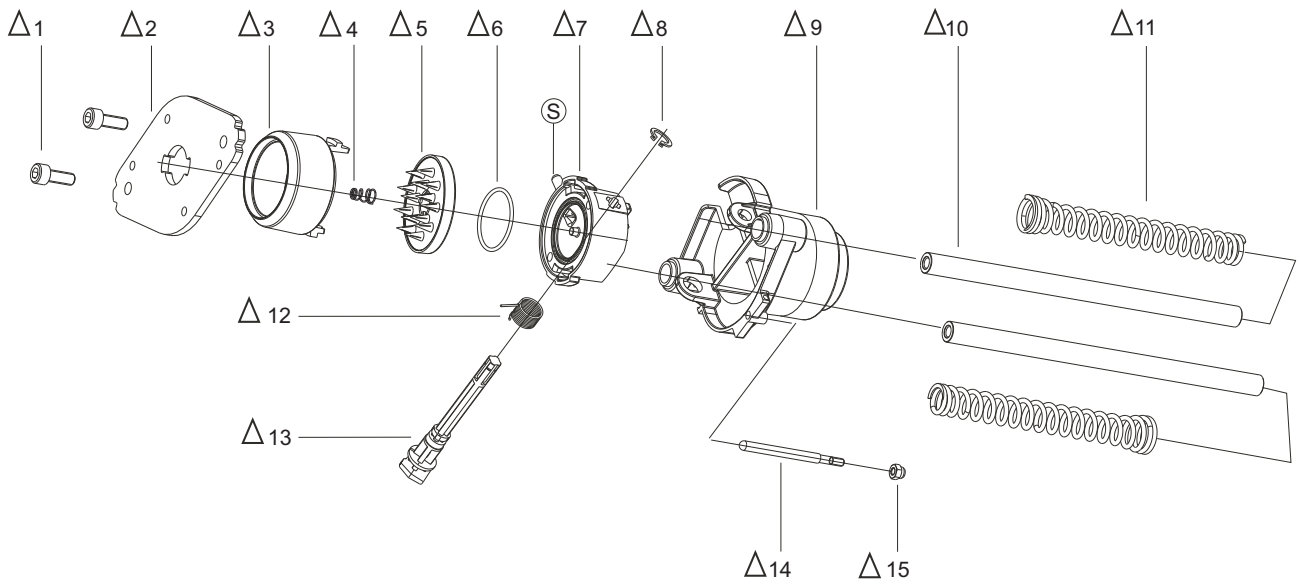
BOILER HYDRAULIC SYSTEM

(Until serial number ➔ 36499)

6

1/2

REF	LAVAZZA CODE	DESCRIPTION	NOTES
1	10060952	KIT 50 SCREW M6X18	
	10079793	SCREW M6X18	(△)
2	10079795	GROUP SUPPORT PLATE	(△)
3	10079806	FRONT CAPSULE HOLDER	(△)
4	10079773	CONICAL SPRING	(△)
5	10079805	CAPSULE PUNCHER	(△)
6	10060959	KIT 25 O RING 2118 SILICON	
	10079729	OR 2118 SILICON	(△)
7	10079802	REAR CAPSULE HOLDER	(△)
8	10060968	KIT 200 STAINLESS STEEL SEEGER RING	
	10079857	STAINLESS STEEL SEEGER RING	(△)
9	10079799	PISTON SUPPORT	(△)
10	10079815	COLUMN	(△)
11	10079814	COLUMN SPRING	(△)
12	10079803	CAPSULE HOLDER SPRING	(△)
13	10079804	CAPSULE HOLDER PIVOT	(△)
14	10079801	LOCK PIN	(△)
15	10060961	KIT 25 LOCK NUT M4	
	10079800	LOCK NUT M4	(△)
16	10060963	KIT 50 SUPPORT BUSH	
	10079794	SUPPORT BUSH	(△)
17	10079796	CYLINDER	(△)
18	10060962	KIT 10 LIP SEAL EPDM70	
	10079797	LIP SEAL EPDM70	(△)
19	10079798	PISTON	(△)
20	10060930	KIT 10 PTFE PIPE L=80mm	
	10079721	PTFE PIPE L=80mm	(△)
21	10079864	ASSEMBLED PISTON UNIT	Assembled (△)



Assembled groups

21 Δ



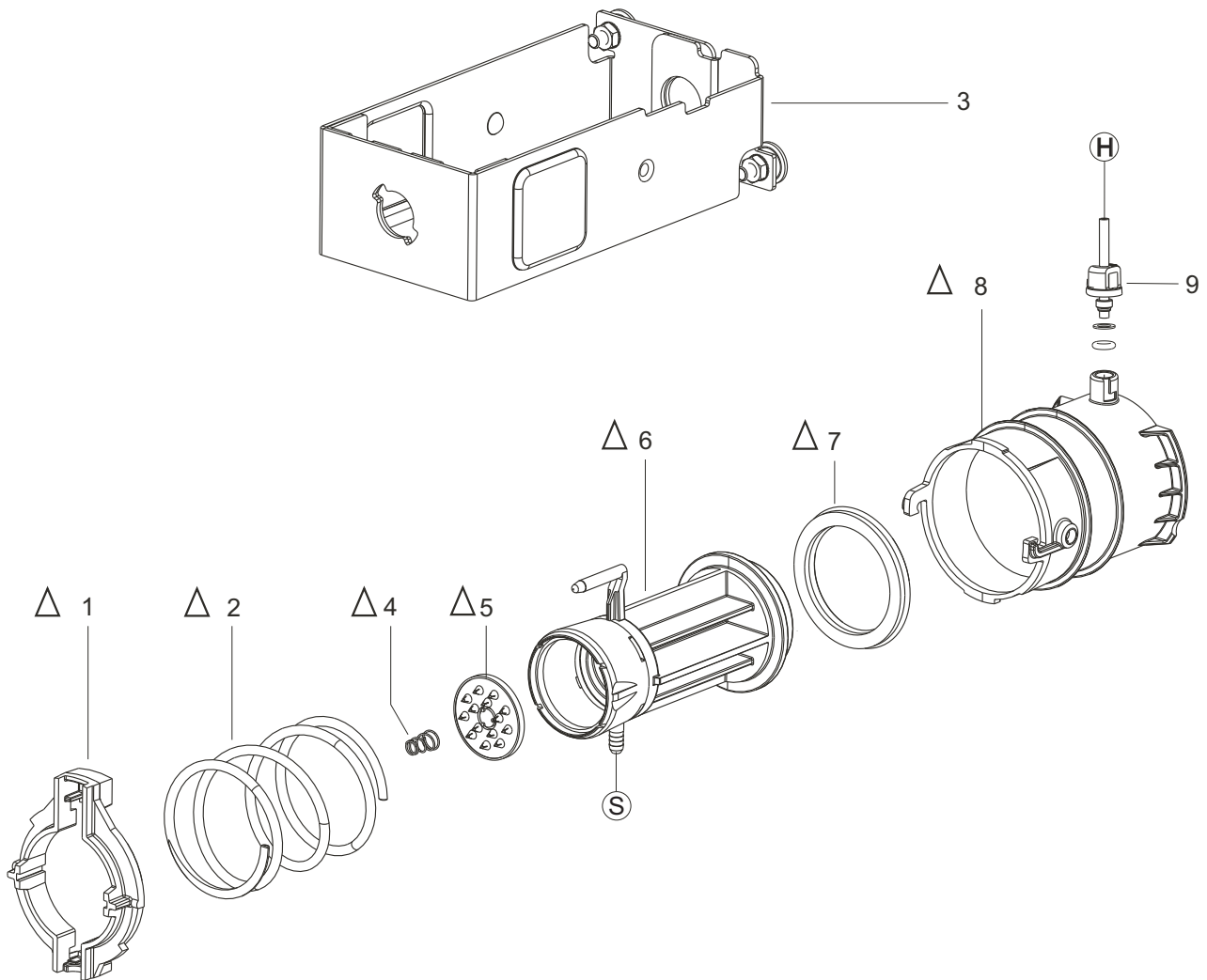
BOILER HYDRAULIC SYSTEM

(From serial number 36500 ➡➡)

6/A

1/2

REF	LAVAZZA CODE	DESCRIPTION	NOTES
1	10079917	CAP FOR CYLINDER 2	(Δ)
2	10079916	PISTON SPRING 2	(Δ)
3	10079913	BOILER CASE ASS.2	
4	10079773	CONICAL SPRING	(Δ)
5	10079805	CAPSULE PUNCHER	(Δ)
6	10079915	PISTON 2	(Δ)
7	10060962	KIT 10 LIP SEAL EPDM70	
	10079797	LIP SEAL EPDM70	(Δ)
8	10079914	CYLINDER 2	(Δ)
9	10060930	KIT 10 PTFE PIPE L=80mm	
	10079721	PTFE PIPE L=80mm	
10	10079918	ASSEMBLED PISTON 2	Assembled (Δ)



Assembled groups

10 △



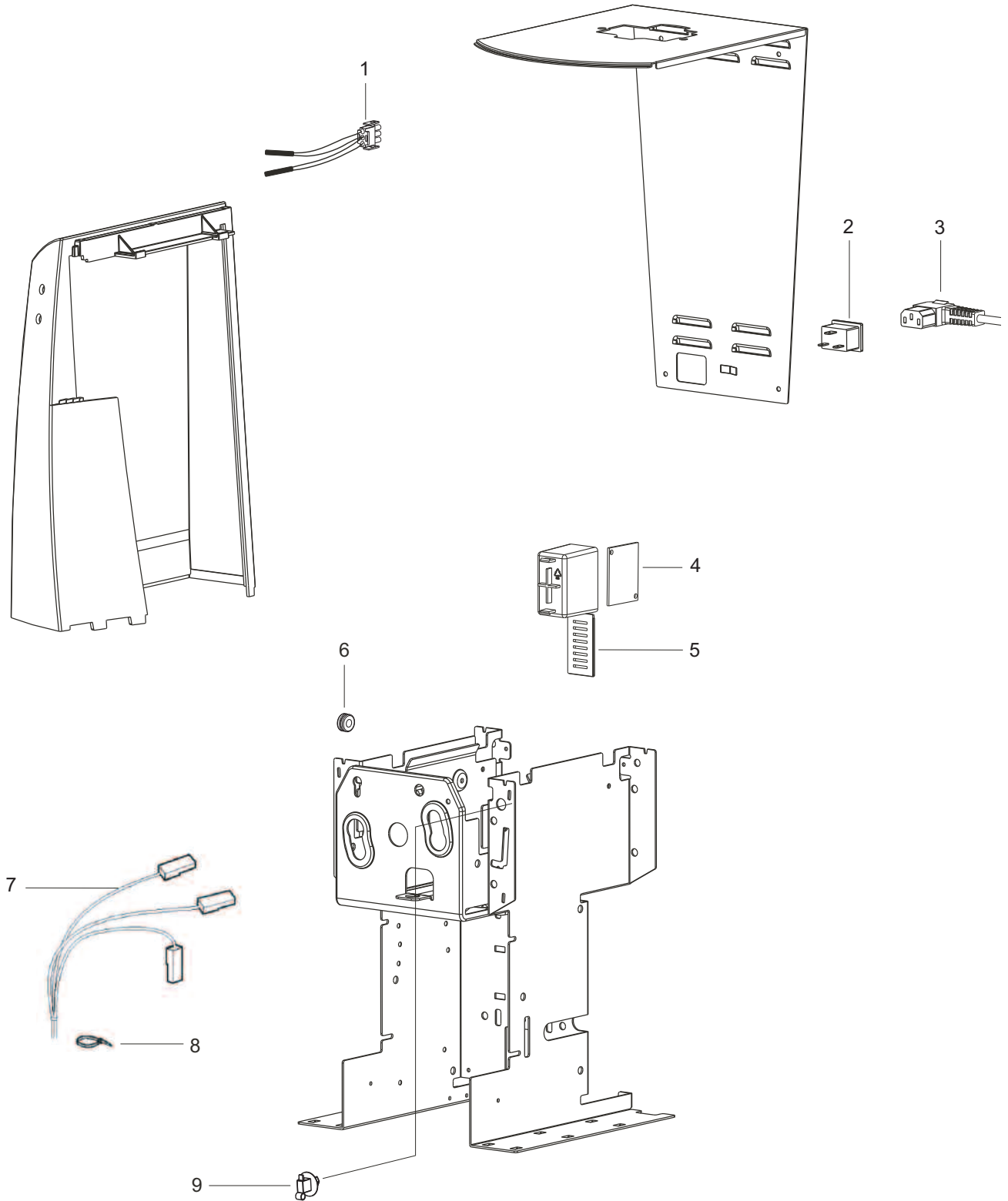
ELECTRICAL COMPONENTS

(Until serial number ➔ 109420)

7

1/2

REF	LAVAZZA CODE	DESCRIPTION	NOTES
1	10079829	LED WIRING 230V	
2	10079710	CONNECTOR	
3	10079711	POWER CORD 230V	
4	10087016	ELECTRONIC CARD 230V	
5	10079715	CARD SUPPORT	
6	10079901	GROMMET	
7	10079828	WIRING230V GW	
8	10089051	CLIP L=95	
9	10060964	KIT 50 CLIP WITH COUPLING	
	10079832	CLIP WITH COUPLING	





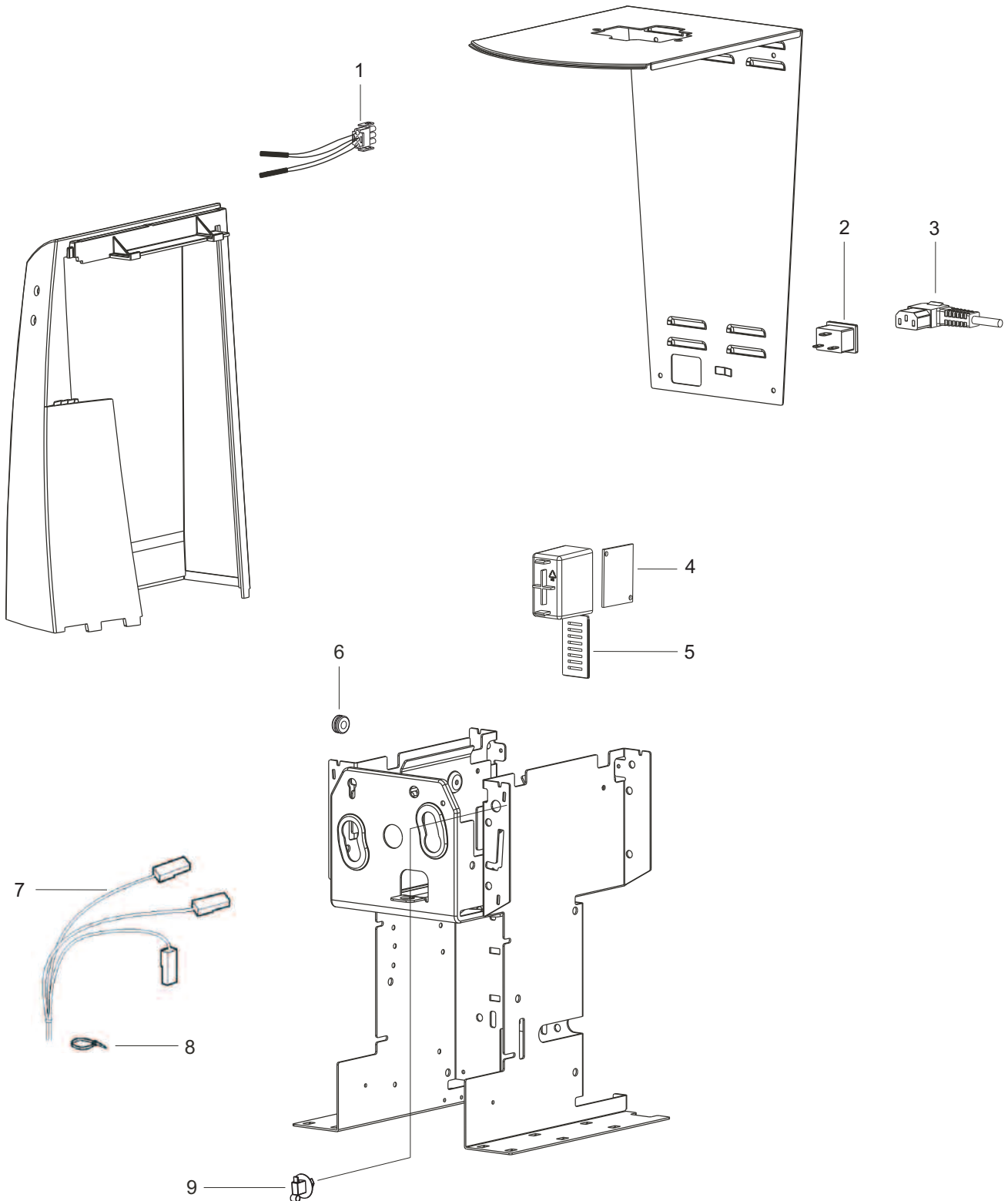
ELECTRICAL COMPONENTS

(From serial number 109420 ➡➡)

7/A

1/2

REF	LAVAZZA CODE	DESCRIPTION	NOTES
1	10079829	LED WIRING 230V	
2	10088226	CONNECTOR	
3	10079711	POWER CORD 230V	
4	10087016	ELECTRONIC CARD 230V	
5	10079715	CARD SUPPORT	
6	10079901	GROMMET	
7	10079946	WIRING 230V GW	
8	10089051	CLIP L=95	
9	10060964	KIT 50 CLIP WITH COUPLING	
	10079832	CLIP WITH COUPLING	





APPENDIX

8

1/2

REF	LAVAZZA CODE	DESCRIPTION	NOTES
1	10079844	PACKING BOX	
2	10060965	INSIDE PACKING	
3	10079831	OPERATING INSTRUCTION	

