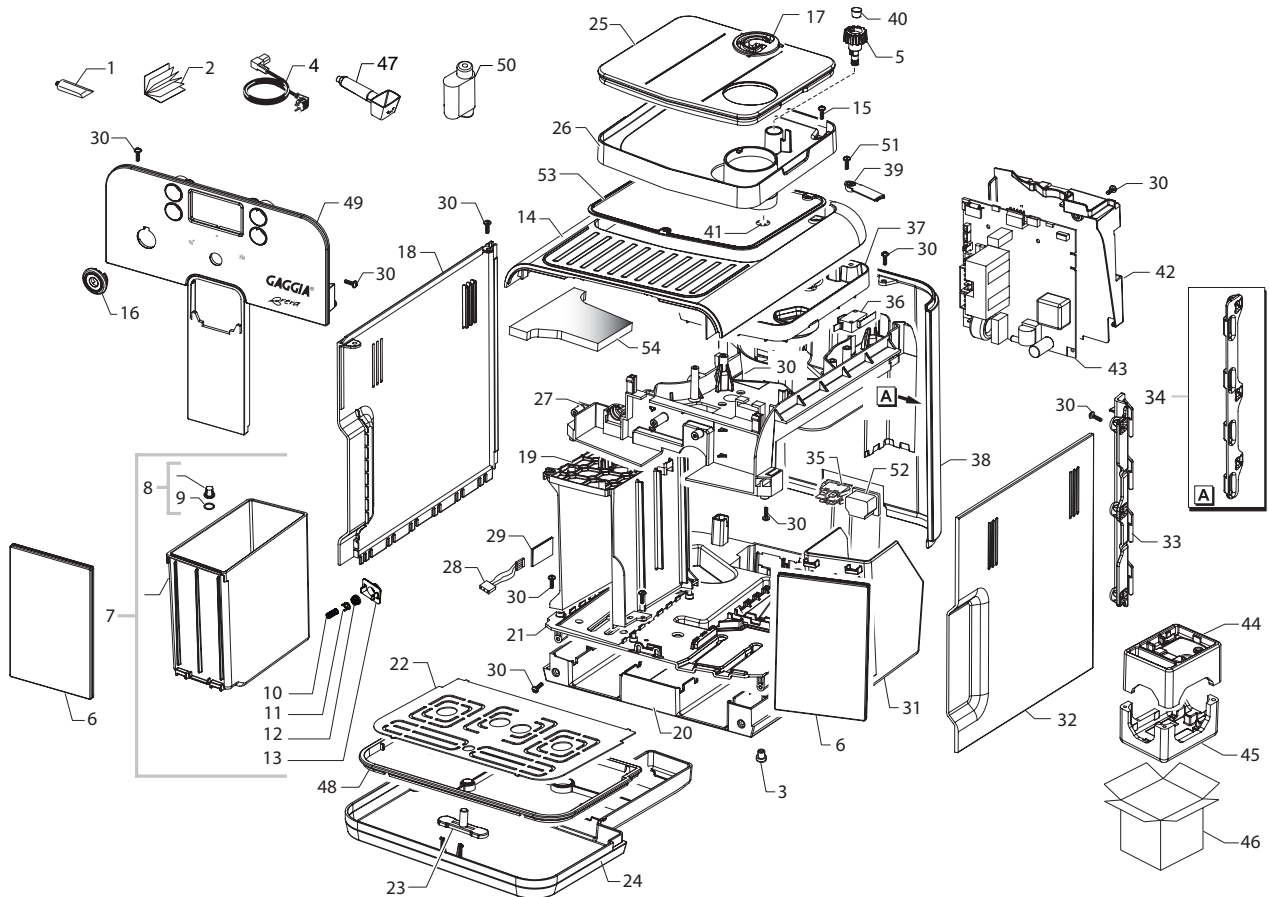

**GAGGIA** SUP037RG

**Cod.10003083-10003230**

POS	CODICE	DESCRIZIONE	NOTE	POS	CODE	DESCRIPTION	NOTE
01	11022867	TUBET.GAGGIA KLUBER TRIBOSTAR SIL 2 5GR		01	11022867	GAGGIA KLUBER TRIBOSTAR SIL 2 TUBE 5GR.	
02	15001876	LIBR.ISTR.GAG SUP037RG GXSM GB/D/F/E		02	15001876	MANUAL GAG SUP037RG GXSM GB/D/F/E	
	15001877	LIBR.ISTR.GAG SUP037RG GXSM P/NL/PL/RUS			15001877	MANUAL GAG SUP037RG GXSM P/NL/PL/RUS	
03	147622800	PIEDINO PIANETA CAFFE' SILIC.TRASPAR.		03	147622800	TRANSPARENT SILICONE FOOT	
04	183911050	CAVO AL.SCHUKO 3X1 H05VV-F NERO L=1200MM		04	183911050	BLACK POWER CABLE SCHUKO L=1200MM	
05	11013206	POMEL.REGOL.MACINAT.CAF.XSM NER.		05	11013206	BLACK GRIND.ADJUSTMENT KNOB XSM	
06	11021742	AS.COPERTURA CONTENITORI GXSM INOX/NERO		06	11021742	BLACK/SS CONTAINERS COVER GXSM ASSY.	
07	11013093	AS.CONTENTIT.ACQUA XSM GR/NAT.		07	11013093	NATUR/GREY WATER CONTAINER XSM ASSY.	
08	224640200	AS.FILTRO ESTERNO X CONTENITORI ACQUA		08	224640200	EXTERNAL FILTER FOR WATER CONTAINER ASSY	
09	140328461	OR METRICO 0190-10 IN EPDM		09	140328461	EPDM OR METRIC 0190-10	
10	11003672	MOLLA CILINDRICA X VALV.CONT.ACQUA P0049		10	11003672	SPRING FOR WATER CONTAINER VALVE P0049	
11	11003673	INSERTO X VALV.CONTEN.ACQUA P0049 GRIGIO		11	11003673	GREY WATER CONTAINER VALVE INSERT P0049	
12	11003671	VALVOLA X CONTENIT.ACQUA P0049 TRASPAR.		12	11003671	TRANSP.VALVE FOR WATER CONTAINER P0049	
13	11001298	COPERCHIO X VALVOLA DUCKBILL P0049 NERO		13	11001298	BLACK LID FOR DUCKBILL VALVE P0049	
14	11022932	COPERTURA SUP.CARC.GXSM VERN.GRIGIO		14	11022932	GREY UPPER CASING COVER GXSM	
	11013882	COPERTURA SUP.CARC.GXSM NERO			11013882	BLACK UPPER CASING COVER GXSM	
15	129912504	VITE TCBR 3,5X14 PLAST.ZN-N		15	129912504	SCREW TCBR TORX 10 3.5X14 PLAST.ZN-N	
16	11021337	TAPPO PANNELLO FRONT.GXSM CROM.		16	11021337	CHROMED FRONTAL PANEL CAP GXSM	
17	11013876	COP.TRAMOGGIA CAF.MACIN.GXSM GR/NAT.		17	11013876	NATUR/GREY GROUND COFFEE HOPPER LID GXSM	
18	11022930	CARC.LATO SX GXSM VERN.GRIGIO		18	11022930	GREY CASING LEFT SIDE GXSM	
	11013880	CARC.LATO SX GXSM NERO			11013880	BLACK CASING LEFT SIDE GXSM	
19	11012708	INSER.FONDO CARC.XSM NER.		19	11012708	BLACK INSERT FOR CASING BOTTOM XSM	
20	11022419	COPERTURA FONDO CARC.XSM VERN.GRIGIO		20	11022419	GREY CASING BOTTOM COVER XSM	
	11012681	COPERTURA FONDO CARC.XSM NERO			11012681	BLACK CASING BOTTOM COVER XSM	
21	11012601	FONDO CARC.XSM NERO		21	11012601	BLACK CASING BOTTOM XSM	
22	11013857	GRIGLIA VASCA REC.ACQUA GXSM INOX		22	11013857	STAINL.STEEL GRATE FOR DRIP TRAY GXSM	
23	11013184	GALLEG.VASCA REC.ACQUA XSM ROSSO		23	11013184	RED FLOAT FOR DRIP TRAY XSM	
24	11022931	VASCA REC.ACQUA GXSM VERN.GRIGIO		24	11022931	GREY DRIP TRAY GXSM	
	11013883	VASCA REC.ACQUA GXSM NERO			11013883	BLACK DRIP TRAY GXSM	
25	11022854	COP.CONT.CAF.GRANI C/GUARN.GXSM GR/NAT.		25	11022854	NATUR/GREY BEAN COFF.CONTAINER LID GXSM	
26	11012724	CONTENTIT.CAFFE' GRANI XSM GR/NAT.		26	11012724	NATUR/GREY BEAN CONTAINER XSM	
27	11012642	PIASTRA SUPPORTO MACINACAFFE' XSM NERO		27	11012642	BLACK COFFEE GRINDER PLATE XSM	
28	11013709	AS.CONN.3POLI LIVELLO ACQUA XSM UL		28	11013709	3POLES CONNECTOR WATER LEVEL XSM UL	
29	11000651	SCHEDA SENSORE CAPACITIVO LIVEL.ACQ.P124		29	11000651	WATER LEVEL SENSOR BOARD P124	
30	12000450	VITE TCBR 3,5X12 PLAST.ZN-N		30	12000450	SCREW TCBR TORX 10 3.5X12 PLAST.ZN-N	
31	11012709	CASSET.RACCOGLI FONDI XSM NERO		31	11012709	BLACK DUMP BOX XSM	
32	11022978	AS.SPORT.LATO DX VERN.GRIGIO		32	11022978	GREY DOOR RIGHT SIDE GXSM ASSY.	
	11021743	AS.SPORT.LATO DX GXSM NERO			11021743	BLACK DOOR RIGHT SIDE GXSM ASSY.	
33	11012713	CERNIERA SPORT.PLAST.LATO DX XSM NERO		33	11012713	BLACK HINGE FOR DOOR RIGHT SIDE XSM	
34	11012714	CERNIERA CARC.POST.XSM NERO		34	11012714	BLACK HINGE FOR REAR CASING XSM	
35	NE03.038	INTERRUTTORE BIPOLARE FUSIT C1250AR		35	NE03.038	BIPOLAR SWITCH FUSIT C1250AR	
36	NE05.013	MICROINTERRUTTORE		36	NE05.013	MICROSWITCH	
37	11012719	COPERTURA INSONORIZZAZIONE MC XSM NERO		37	11012719	SOUNDPROOFING COVER FOR COFGRINDER XSM	

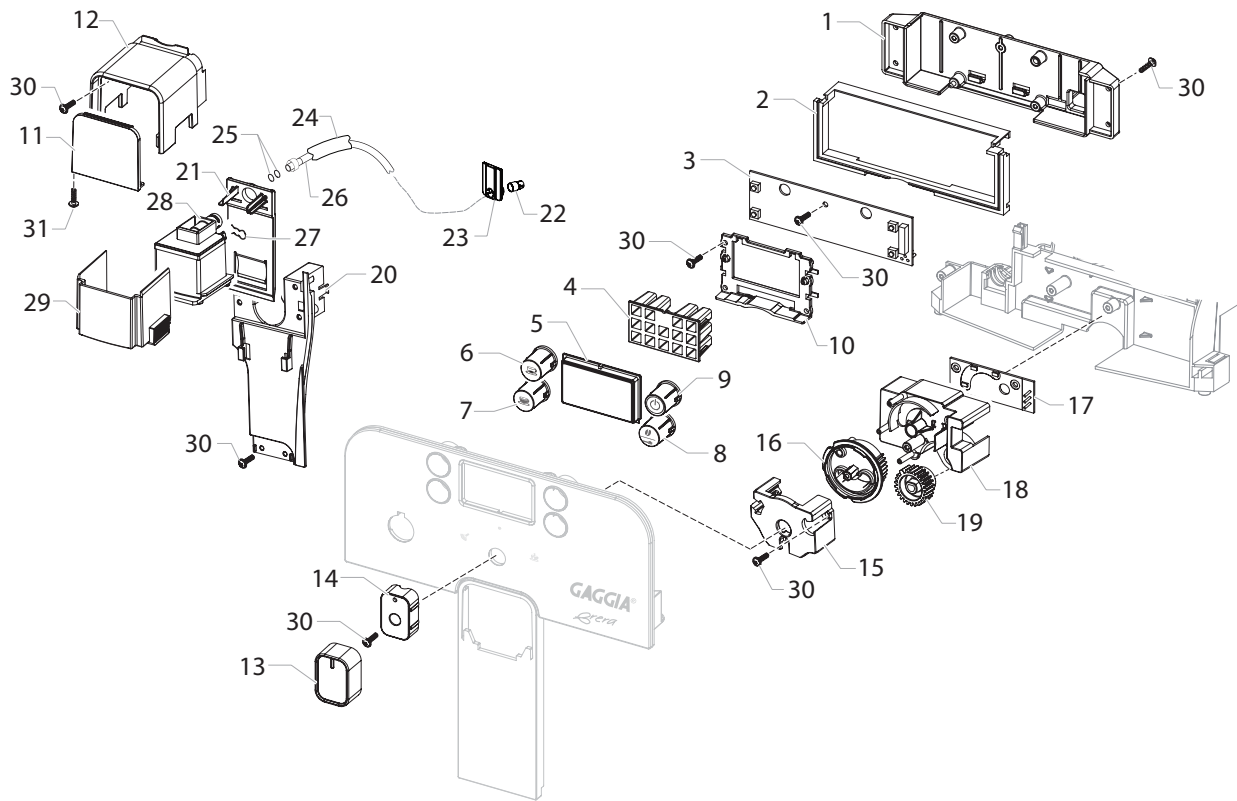
**GAGGIA**
**BRERA LED**
**Rev. 00 - 14/10/09**
**TAVOLA 1a/5**


**GAGGIA® SUP037RG**

**Cod.10003083-10003230**

POS	CODICE	DESCRIZIONE	NOTE	POS	CODE	DESCRIPTION	NOTE
38	11014196	CARC.POST.GXSM NERO		38	11014196	BLACK REAR CASING GXSM	
39	11022934	COP.ACCESSO INFRAROSSI GXSM VERN.GRIGIO		39	11022934	GREY COVER INFRAREDS ACCESS GXSM	
	11014031	COP.ACCESSO INFRAROSSI GXSM NERO			11014031	BLACK COVER INFRAREDS ACCESS GXSM	
40	149213000	TAPPO X POMELLI CONT.CAF.GRANI TRASP.		40	149213000	TRANSP.CAP FOR KNOBS BEAN CONTAINER	
41	120350604	ANELLO 6 UNI 7434 BRUNITO		41	120350604	SHAFT 6 UNI 7434	
42	11012301	PROTEZIONE SCHEDA PWR/CPU P0057 NERO		42	11012301	BLACK PWR/CPU BOARD PROTECTION P0057	
43	11012593	AS.CPU+SW XSM V2	230V	43	11012593	CPU+SW AS.XSM V2	230V
44	13000994	INSER.SUP.SCATOLA GXSM PS-E		44	13000994	PS-E UPPER INSERT FOR BOX GXSM	
45	13000995	INSER.INF.SCATOLA GXSM PS-E		45	13000995	PS-E LOWER INSERT FOR BOX GXSM	
46	13000999	SCATOLA LITOGRAF.GAGGIA BRERA LED		46	13000999	DISPLAY BOX GAGGIA BRERA LED	
47	146680850	MISURINO X CAFFE' SMART NER.		47	146680850	BLACK COFFEE MEASURE SMART	
48	11022933	SUPP.GRIGL.VASCA REC.ACQ.GXSM VERN.GRIGIO		48	11022933	GREY DRIP TRAY GRATE SUPPORT GXSM	
	11013858	SUPP.GRIGL.VASCA REC.ACQ.GXSM NERO			11013858	BLACK DRIP TRAY GRATE SUPPORT GXSM	
49	11021744	AS.PANNELLO FRONT.GXSM INOX/NERO SER.		49	11021744	BLACK/SS FRONTAL PANEL S/SCR.GXSM ASSY.	
50	21000961	ACC SAE BRITA WATER FILTER 1 UNIT EUR		50	21000961	ACC SAE BRITA WATER FILTER 1 UNIT EUR	
51	129912521	VITE TCBR 3,5X14 PLAST.INOX		51	129912521	SCREW TCBR TORX 10 3,5X14 PLAST.SS	
52	12000280	PRESA A VASCHETTA C/SMUSSI EN 60320 C 13		52	12000280	CUP SOCKET EN 60320 C 13	
53	11023102	GUARNIZ.CONTEN.CAFFE' GRANI GXSM NERO		53	11023102	BLACK BEAN COFFEE CONTAIN.SEAL GXSM	
54	11023103	PROTEZ.ISOLANTE ADES.COP.SUP.CARC.GXSM		54	11023103	UPPER COVER CASING INSUL.PROTECTION GXSM	

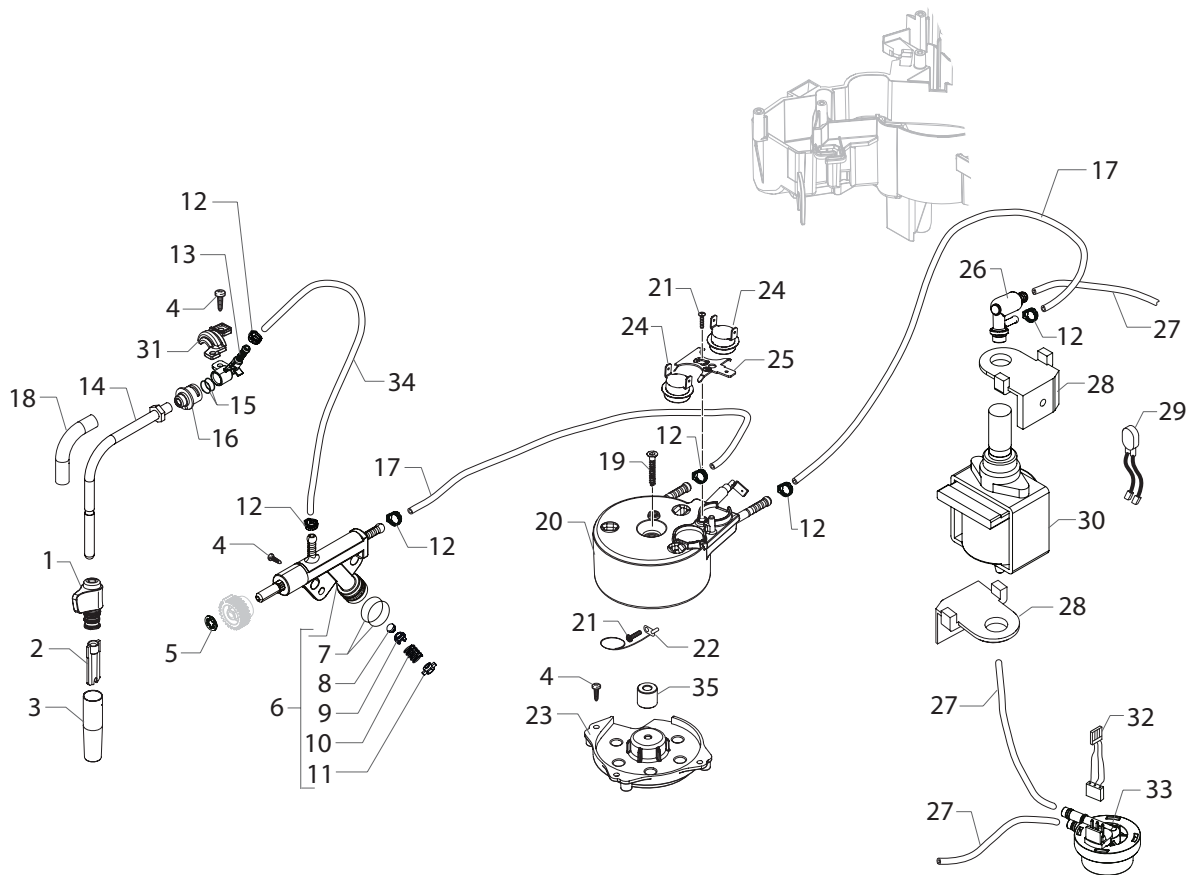
**GAGGIA®**
**BRERA LED**
**Rev. 00 - 14/10/09**
**TAVOLA 1b/5**


**GAGGIA® SUP037RG**

**Cod.10003083-10003230**

POS	CODICE	DESCRIZIONE	NOTE	POS	CODE	DESCRIPTION	NOTE
01	11013856	SUPP.SCHEDA CPU GXSM NERO		01	11013856	BLACK CPU BOARD SUPPORT GXSM	
02	11013859	GUARNIZ.TASTIERA GXSM NEU.		02	11013859	NEUTER TOUCH PANEL SEAL GXSM	
03	11014002	SCHEDA KYB-LED INTERF.GXSM		03	11014002	KEYBOARD LED INTERFACE GXSM	
04	11013888	SUPP.GUIDA LUCE GXSM NERO		04	11013888	BLACK GUIDE LIGHT SUPPORT GXSM	
05	11013893	VETRINO LED GXSM TRASP.		05	11013893	TRANSPARENT GLASS FOR LED GXSM	
06	11021887	TASTO GXSM SER.NERO+TAZZA CAFFEE' CORTO		06	11021887	BLACK SHORT COFFEE CUP BUTTON GXSM	
07	11021886	TASTO GXSM SER. NERO +TAZZA CAFFEE' LUNGO		07	11021886	BLACK LONG COFFEE CUP BUTTON GXSM	
08	11021888	TASTO GXSM SER. NERO + AROMA		08	11021888	BLACK AROMA COFFEE BUTTON GXSM	
09	11021889	TASTO GXSM SER.NERO + ON/OFF		09	11021889	BLACK ON/OFF BUTTON GXSM	
10	11013889	INSER.BLOCCAGGIO SCHEDA CPU GXSM NERO		10	11013889	BLACK CPU BOARD RETAINING INSERT GXSM	
11	11021362	FRONTALINO EROGAT.CAFF.GXSM CROM.		11	11021362	CHROM.COFFEE DISPENSER FRONT PLATE GXSM	
12	11021339	SUPP.FISSO EROGAT.CAFF.GXSM CROM.		12	11021339	CHROMED COFFEE DISPENSER SUPPORT GXSM	
13	11021338	COPERT.POMEL.COMANDI GXSM CROM.		13	11021338	CHROMED CONTROL KNOB COVER GXSM	
14	11013886	POMEL.COMANDI GXSM NEU.		14	11013886	NATURAL CONTROL KNOB GXSM	
15	11014090	COP.SUPP.POMEL.COMANDI GXSM NERO		15	11014090	BLACK CONTROL KNOB SUPPORT COVER GXSM	
16	11013117	AS.SUPP.POMEL.COMANDI C/CALAM.XSM NERO		16	11013117	BLACK CONTROL KNOB SUPPORT XSM ASSY.	
17	11014029	SCHEDA RUBINETTO GXSM		17	11014029	KEYBOARD TAP SENSOR GXSM	
18	11012704	SUPP.SCHEDA POMELLO XSM NERO		18	11012704	BLACK KNOB ELECTR.BOARD SUPPORT XSM	
19	11004120	INGRANAGGIO Z=26 VAPORE/ACQUA P0057 NERO		19	11004120	BLACK STEAM/WATER GEAR Z=26 P0057	
20	11012707	SUPP.FRONTALINO XSM NERO		20	11012707	BLACK FRONT PANEL SUPPORT XSM	
21	11013829	SUPP.PARTE MOBILE EROGAT.CAFF.GXSM NERO		21	11013829	BLACK COF.DISPENSER.MOBILEPART SUPP.GXSM	
22	11005101	BOCCOLA X TUBO TEFLON 4X2 P124		22	11005101	BUSH FOR 4X2 TEFLON TUBE P124	
23	11005100	PIASTRINA X BOCCOLA TUBO TEFLON 4X2 P124		23	11005100	PLATE FOR 4X2 TEFLON TUBE P124	
24	149361200	TUBO SILICONE NERO 7,5X9,3	IN MATASSA	24	149361200	BLACK SILICONE TUBE 7,5X9,3	IN ROLL
25	140328059	OR 2015 IN SILICONE PTFE/FDA		25	140328059	OR 2015 IN SILICONE PTFE/FDA	
26	11004132	AS.TUBO TEFLON 2X4 L=250MM+1BOC.DIST13MM		26	11004132	TEFLON TUBE 2X4 L=250 MM ASSY	
27	9011.144	FORCELLA X TUBO D.4		27	9011.144	FORK FOR TUBE D.4	
28	11013070	AS.EROGATORE CAFFEE' SALD.XSM NERO		28	11013070	BLACK COFFEE DISPENSER XSM ASSY.	
29	11013828	PARTE MOBILE EROG.CAFF.GXSM NERO		29	11013828	BLACK COF.DISPENSER MOBILE PART GXSM	
30	12000450	VITE TCBR 3,5X12 PLAST.ZN-N		30	12000450	SCREW TCBR TORX 10 3,5X12 PLAST.ZN-N	
31	129912902	VITE TCB 2,9X6,5 LAMIERA ZN-B		31	129912902	SCREW TCB TORX 10 2,9X6,5 SHEET ZN-B	

**GAGGIA®**
**BRERA LED**
**Rev. 00 - 14/10/09**
**TAVOLA 2/5**



# GAGGIA® SUP037RG



Cod.10003083-10003230

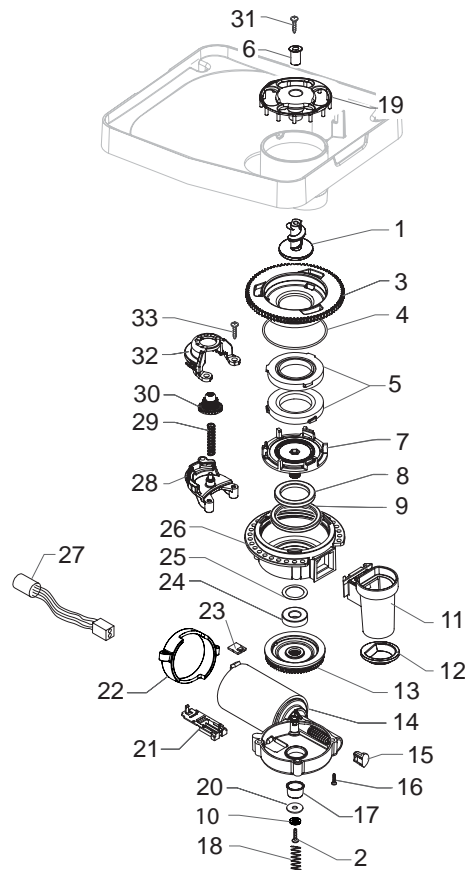
POS	CODICE	DESCRIZIONE	NOTE	POS	CODE	DESCRIPTION	NOTE
01	11007194	IMPUGNATURA TUBO VAPORE G0053 NERO		01	11007194	BLACK STEAM TUBE HANDGRIP G0053	
02	11001620	CANOTTO INT.PANNARELLO P0049 NERO		02	11001620	BLACK PANNARELLO INTERNAL TUBE P0049	
03	11011504	COPERTURA PANNARELLO P0049 OT/CROM.TF		03	11011504	TF/CHROM.PANNARELLO COVER P0049	
04	12000450	VITE TCBR 3,5X12 PLAST.ZN-N		04	12000450	SCREW TCBR TORX 10 3,5X12 PLAST.ZN-N	
05	128210600	RONDELLA ELASTICA X ALBERI D=6 MM		05	128210600	ELASTIC WASHER FOR SHAFT D=6MM	
06	11012381	RUB.REGOLATORE FLUSSO ACQ/VAP.V2 P0057		06	11012381	FLOW SELECTOR FAUCET V2 P0057	
07	12000893	OR METRICO 0120-20 IN EPDM		07	12000893	OR METRIC 0120-20 IN EPDM	
08	11008104	VALVOLA A FUNGO REGOLAT.DI FLUSSO P0057		08	11008104	MUSHROOM VALVE FOR FLOW SELECTOR P0057	
09	11008105	SUPP.VALV.A FUNGO REGOL.DI FLUSSO P0057		09	11008105	SUPPORT VALVE FOR FLOW SELECTOR P0057	
10	11008077	MOLLA VALVOLA REGOLAT.DI FLUSSO P0057		10	11008077	SPRING FOR VALVE FLOW SELECTOR P0057	
11	11008106	TAPPO VALV.A FUNGO REGOL.DI FLUSSO P0057		11	11008106	VALVE CAP FOR FLOW SELECTOR P0057	
12	12000892	FASCETTA OETIKER D=9,5 16700004		12	12000892	OETIKER CLAMP D=9,5 16700004	
13	11005757	SUPPORTO TUBO VAPORE P0057 NEU.		13	11005757	STEAM TUBE SUPPORT P0057	
14	11014042	AS.TUBO VAPORE-DADO GXSM OT/CROM.TF		14	11014042	TF/CHROMED STEAM TUBE GXSM ASSY.	
15	140324461	OR ORM 0060-20 IN TERMOIL		15	140324461	OR ORM 0060-20 IN TERMOIL	
16	11011127	BOCCOLA TUBO VAPORE P0057 PA6 NERO		16	11011127	BLACK PA6 BUSH FOR STEAM TUBE P0057	
17	16000380	TUBO SIL.RETIN.5X8,9	IN MATASSA	17	16000380	5X8,9 SILICONE TUBE	IN ROLL
18	11012923	PROTEZIONE TUBO VAPORE XSM CROM.		18	11012923	CHROMED STEAM TUBE PROTECTION XSM	
19	12001368	VITE TSP 5X35 PLAST.ZN-B		19	12001368	SCREW TSP TORX 10 5X35 PLAST.ZN-B	
20	11013735	AS.CALD.TUB.SLIM	230V - 1300W	20	11013735	SLIM TUB. BOILER ASSY.	230V - 1300W
21	129573202	VITE TCB M4X8 AUTOFORMANTE ZN-B		21	129573202	SCREW TCB TORX 20 M4X8 AUTOFORMING ZN-B	
22	190800100	SENSORE TEMPERATURA NTC UL L=280MM		22	190800100	TEMPERATURE SENSOR NTC UL L=280MM	
23	11022791	SUPPORTO CALDAIA TUB.SLIM/EXSL NERO		23	11022791	BLACK SLIM/EXSL BOILER SUPPORT	
24	12001034	TERMOSTATO 175° ONE SHOT		24	12001034	THERMOSTAT 175° ONE SHOT	
25	11001751	MOLLA X TERMOSTATI CALD.TUBOL.V3 ACC.		25	11001751	THERMOSTATES SPRING FOR BOILER	
26	11010166	AS.VALV.SICUR.16-18 BAR V2 P0049 OTTONE		26	11010166	SAFETY VALVE 16-18 BAR V2 P0049 ASSY.	
27	JS01.022	TUBO SILICONE 5X10 60 SHORE	IN MATASSA	27	JS01.022	SILICONE TUBE 5X10 60 SHORE	IN ROLL
28	149205850	SUPPORTO POMPA TYP ULKA C/SMUSSO NERO		28	149205850	BLACK PUMP SUPPORT TYPE ULKA	
29	11009747	AS.CONNETTORE 2POLI POMPA P0057 UL		29	11009747	2POLES CONNECTOR PUMP P0057 UL	
30	12000140	POMPA ULKA EP5/S GW	230V-50HZ	30	12000140	ULKA PUMP EP5/S GW	230V-50HZ
31	11013894	FORCELLA FERMA TUBO VAP.GXSM NERO		31	11013894	BLACK FORK FOR STEAM TUBE GXSM	
32	11005948	AS.CONNETTORE 3 POLI TURBINA P0057		32	11005948	3POLES CONNECTOR FLOWMETER P0057	
33	NV99.099	AS.TURBINA D=1,2 932-8521/00		33	NV99.099	TURBINE D=1,2 932-8521/00 ASSY.	
34	16000719	TUBO SIL.RETIN.5X8,9 BLKLINE	IN MATASSA	34	16000719	5X8,9 SILICONE TUBE BLKLINE	IN ROLL
35	11022836	DISTANZIALE CALDAIA SLIM ACC/TEA		35	11022836	TEA/SS SPACER FOR SLIM BOILER	
	11022393	AS.CALD.TUB.SLIM STD 230V - 1300W CON PART.N°20-21-22-24-25			11022393	SLIM TUB. BOILER STD 230V - 1300W ASSY. WITH PART.N°20-21-22-24-25	

# GAGGIA®

BRERA LED

Rev. 00 - 14/10/09

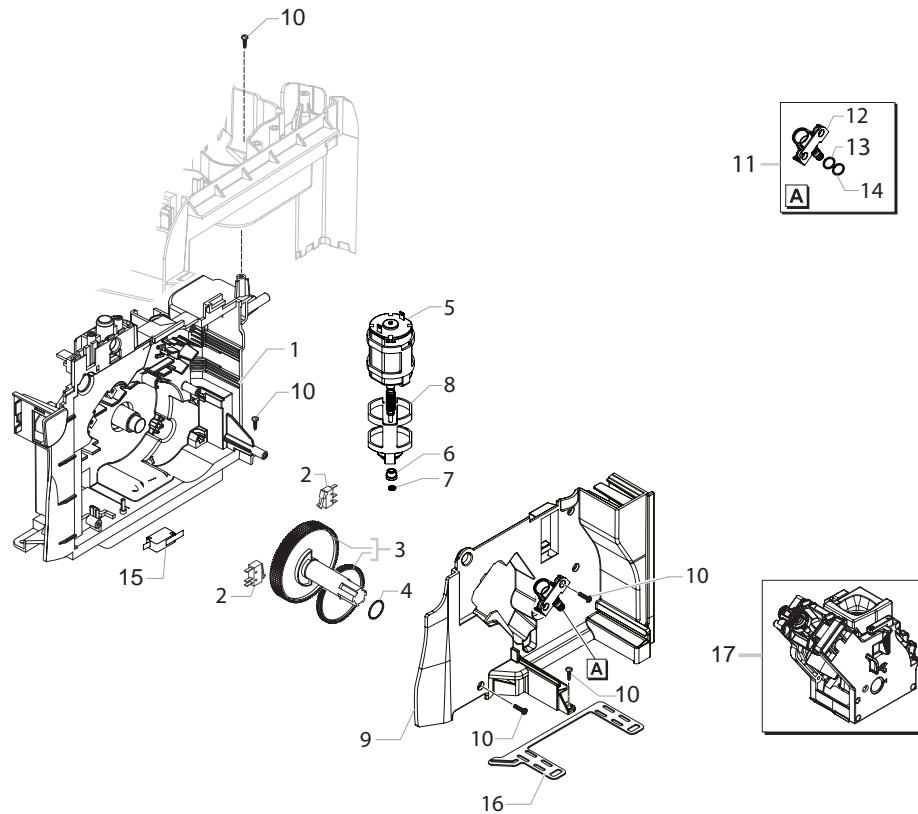
TAVOLA 3/5


**GAGGIA** SUP037RG

**Cod.10003083-10003230**

POS	CODICE	DESCRIZIONE	NOTE	POS	CODE	DESCRIPTION	NOTE
01	11010031	VITE DI INCREMENTO CORTA MC ZAMA/TEA		01	11010031	TEA/ZAMA INCREASE SCREW GRINDER	
02	129574802	VITE TCB M4X30 ZN-B		02	129574802	SCREW TCB TORX 20 M4X30 ZN-B	
03	149198250	SUPPORTO SUP.MACINA MACINACAFFE V3 NERO		03	149198250	UPPER GRINDER SUPPORT COFFEEGRINDER	
04	140328960	OR METRICO 0530-15 IN NBR FDA		04	140328960	NBR FDA OR METRIC 0530-15	
05	146520100	MACINA 48X28 IN CERAMICA		05	146520100	BAKED CLAY GRINDER 48X28	
06	11012466	BOCC.PROT.DITO CONT.CAFF.GRANI P0057 OTT		06	11012466	BRASS BUSH BEAN CONT.FINGER PROTEC.P0057	
07	149198350	SUPPORTO INF.MACINA MACINACAFFE V3 NERO		07	149198350	LOWER GRINDER SUPPORT COFFEEGRINDER	
08	123030300	CUSCINETTO ASSIALE EKKO 342.35252		08	123030300	AXIAL BEARING EKKO 342.35252	
09	140360500	ANELLO IN FELTRO DE=45,4 DI=39,4H=4		09	140360500	FELT RING 45,4X39,4X4	
10	128310402	ROSETTA UNI 8842 A4 ZINCATA		10	128310402	GALV.WASHER UNI 8842 A4	
11	11012564	AS.CONVOGL.USCITA CAF.MACIN.V2 SMART1NERO		11	11012564	GROUND COFFEE OUTLET CONVEYOR V2 ASSY.	
12	145854462	GUARNIZ.INF.CONT.CAFFE' MACINATO SMART1		12	145854462	GROUND COFFEE CONT.SEAL LOWER SMART1	
13	226000300	AS.ING.SX Z=38 X MOVIM.MACINA C/CALAMITA		13	226000300	GEAR SX Z=38 FOR GRINDER MOTION ASSY.	
14	11000513	AS.MOTORE MC/V3.1 MOD=1,25 SX DOMEL	230V	14	11000513	MOTOR COFFEEGRINDER/V3.1 ASSY	230V
15	149214800	TAPPO CENTRAG.VITE S/FINE MOD=1,25 MC/V3		15	149214800	CAP FOR WORM SCREW MC/V3 CENTRING	
16	129661702	VITE TCB 3,5X30 PLAST.ZN-B		16	129661702	SCREW TCB TORX 3,5X30 PLAST.ZN-B	
17	11002873	BOCCOLA ISOLANTE X MOTORE MC P124 NERA		17	11002873	INSULATOR BUSH FOR GRINDER MOTOR P124	
18	11000597	MOLLA DI SUPPORTO MOTORE MC P124 ACC.		18	11000597	COFFEE GRINDER SUPPORT SPRING P124	
19	11014285	PROTEZ.DITO CONT.CAFF.GRANI V2 P0057 NER		19	11014285	BLK V2 BEAN CONTAIN.FINGER PROTECT.P0057	
20	128381902	RONDELLA.PIANA DI=4,3 DE=14 SP=1,5 AC/ZINC		20	128381902	GALVAN.FLAT WASH.DI=4,3 DE=14 SP=1,5	
21	149199050	SUPPORTO SENSORE TERMICO X MOTORE MC		21	149199050	SENSOR SUPPORT FOR COFF.GRIND.MOTOR	
22	11000194	SUPPORTO MOTORE MACINACAFFE' P124 NERO		22	11000194	BLACK GRINDER MOTOR SUPPORT P124	
23	181540900	BAS.ELET.C/SENSORE HAL 506 SF-K C/CONNET		23	181540900	ELECTRONIC BOARD WITH SENSOR HAL506	
24	123030200	CUSCINETTO RADIALE 61900.2RS1		24	123030200	RADIAL BEARING 61900.2RS1	
25	128381800	RONDELLA DI BILANCIAMENTO 21,8X14X0,25		25	128381800	CRINKLE WASHER 21,8X15,8X0,2	
26	142905450	CORPO SUP.C/USCITA CAF.MACINATO MC NERO		26	142905450	UPPER BODY WITH COFFE.GROUND OUTLET	
27	11008871	AS.CONNET.3POLI SENSORE/MC S0053 UL		27	11008871	3 POLES CONNECTOR MC SENSOR S0053 UL	
28	11002613	SUPPOR.INF.INGR.REGOL.MACINAT.P124 NERO		28	11002613	LOWER GEAR SUPPORT COFFEEGRINDER P124	
29	11002572	MOLLA REGOLAZIONE MACINACAFFE' P124 ACC.		29	11002572	GRINDER REGULATION SPRING P124	
30	11003784	INGRAN.Z=14-24 REGOL.MACIN.CAF.P0049 NERO		30	11003784	COFFEE GRINDING ADJUSTMENT GEAR P0049	
31	U043.004	VITE TCBC M4,0X16 UNI 7687 ZNP		31	U043.004	ZN-B TCB SCREW M4X16	
32	11002508	SUPPOR.SUP.INGR.REGOL.MACINAT.P124 NERO		32	11002508	UPPER GEAR SUPPORT COFFEEGRINDER P124	
33	129914002	VITE TCB 3,5X16 PLAST.ZN-B		33	129914002	SCREW TCB TORX 10 3,5X16 PLAST.ZN-B	
	11006059	AS.GEN.MOTORE MACINACAFFP0057 STD	230V		11006059	GENERAL MOTOR MC P0057 STD ASSY.	230V

**GAGGIA**
**BRERA LED**
**Rev. 00 - 14/10/09**
**TAVOLA 4/5**


**GAGGIA** SUP037RG

**Cod.10003083-10003230**

POS	CODICE	DESCRIZIONE	NOTE	POS	CODE	DESCRIPTION	NOTE
01	11006067	AS.PIASTRA MONTAGGIO MOTORI.P0057 NERO		01	11006067	BLACK RATIOMOTOR MOUNTING PLATE P0057 AS	
02	NE05.038	MICROINTERRUTTORE		02	NE05.038	MICROSWITCH	
03	20000900	KIT RICAMBI INGRANAGGI MOTORIDUTTORE V2		03	20000900	SPARES KIT GEARS FOR RATIOMOTOR V2	
04	9161.132	RONDELLA MYLAR X MOTORIDUTTORE		04	9161.132	MYLAR WASHER FOR RATIOMOTOR	
05	11003037	AS.MOTORE X MOTORIDUTTORE C/CONDENS.		05	11003037	MOTOR FOR RATIOMOTOR ASSY.	
06	9121.046	BOCCOLA SINTERIZZATA X MOTORE		06	9121.046	SINTERED BUSH FOR MOTOR	
07	148380200	RONDELLA TELA BAKELIZZATA D=5,5		07	148380200	WASHER BAKELIZZATE D=5,5	
08	9121.044	ANTIVIBRANTE X MOTORE		08	9121.044	ANTIVIBRATION FOR MOTOR	
09	11003754	COPERTURA PIASTRA MONTAGGIO P0057 NERO		09	11003754	BLACK COVER FOR MOUNTING PLATE P0057	
10	12000450	VITE TCBR 3,5X12 PLAST.ZN-N		10	12000450	SCREW TCBR TORX 10 3,5X12 PLAST.ZN-N	
11	11013531	AS.PERNO RUB.REGOL.FLUSO ACQ/VAP.V2 P0057		11	11013531	PIN FOR FLOW SELECTOR FAUCET P0057 ASSY.	
12	11013530	PERNO RUB.REGOL.FLUSO ACQ/VAP.V2 P0057		12	11013530	V2 PIN FOR FLOW SELECTOR FAUCET P0057	
13	NM01.035	OR ORM 0090-20 SILICONE		13	NM01.035	OR ORM 0090-20 SILICONE	
14	NM01.057	OR ORM 0050-20 SILICONE		14	NM01.057	OR ORM 0050-20 SILICONE	
15	NE05.013	MICROINTERRUTTORE		15	NE05.013	MICROSWITCH	
16	11013205	GUARNIZ.PIASTRA MOTORE MOTORID.XSM NERO		16	11013205	SEAL FOR RATIOMOTOR PLATE XSM	
17	11012382	GRUPPO CAFFE' 8GR.5BAR S0053 NERO <b>VEDI COD. ESPLOSO E90067</b>		17	11012382	BLACK BREW UNIT 8GR.5BAR P0057 <b>SEE EXP.CODE E90067</b>	

**GAGGIA**
**BRERA LED**
**Rev. 00 - 14/10/09**
**TAVOLA 5/5**