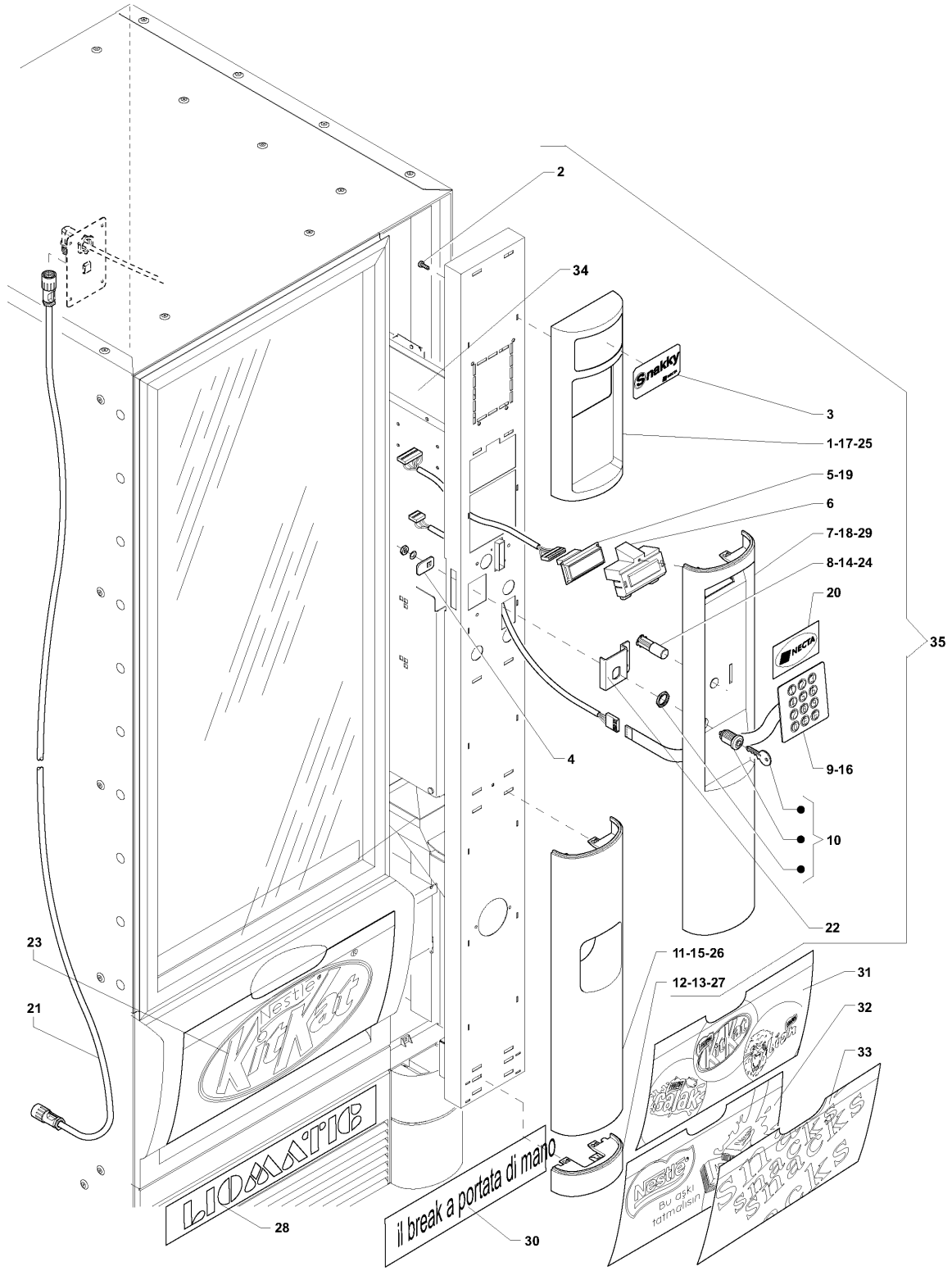
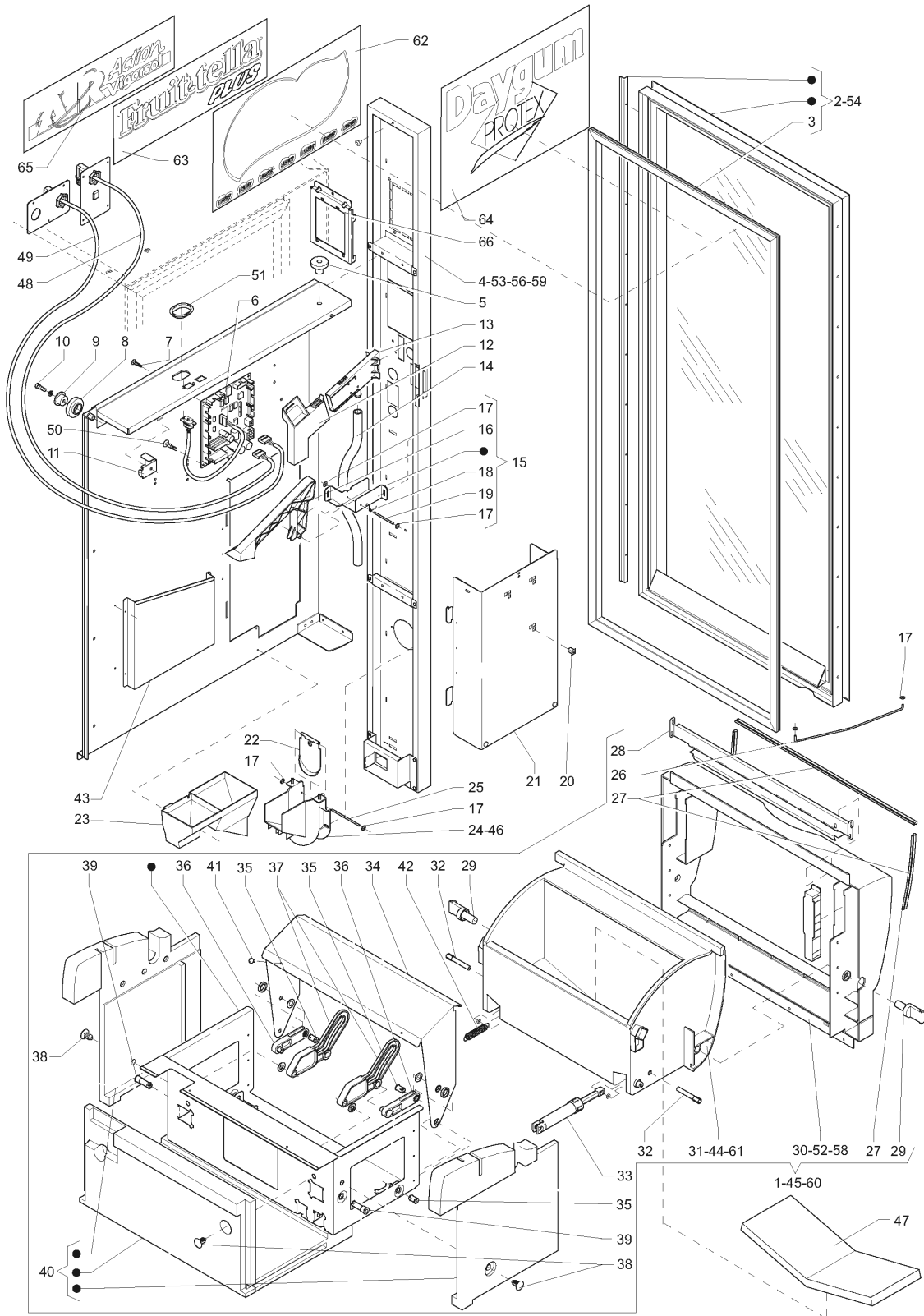


SNAKKY - 220 VOLT - 50 HZ



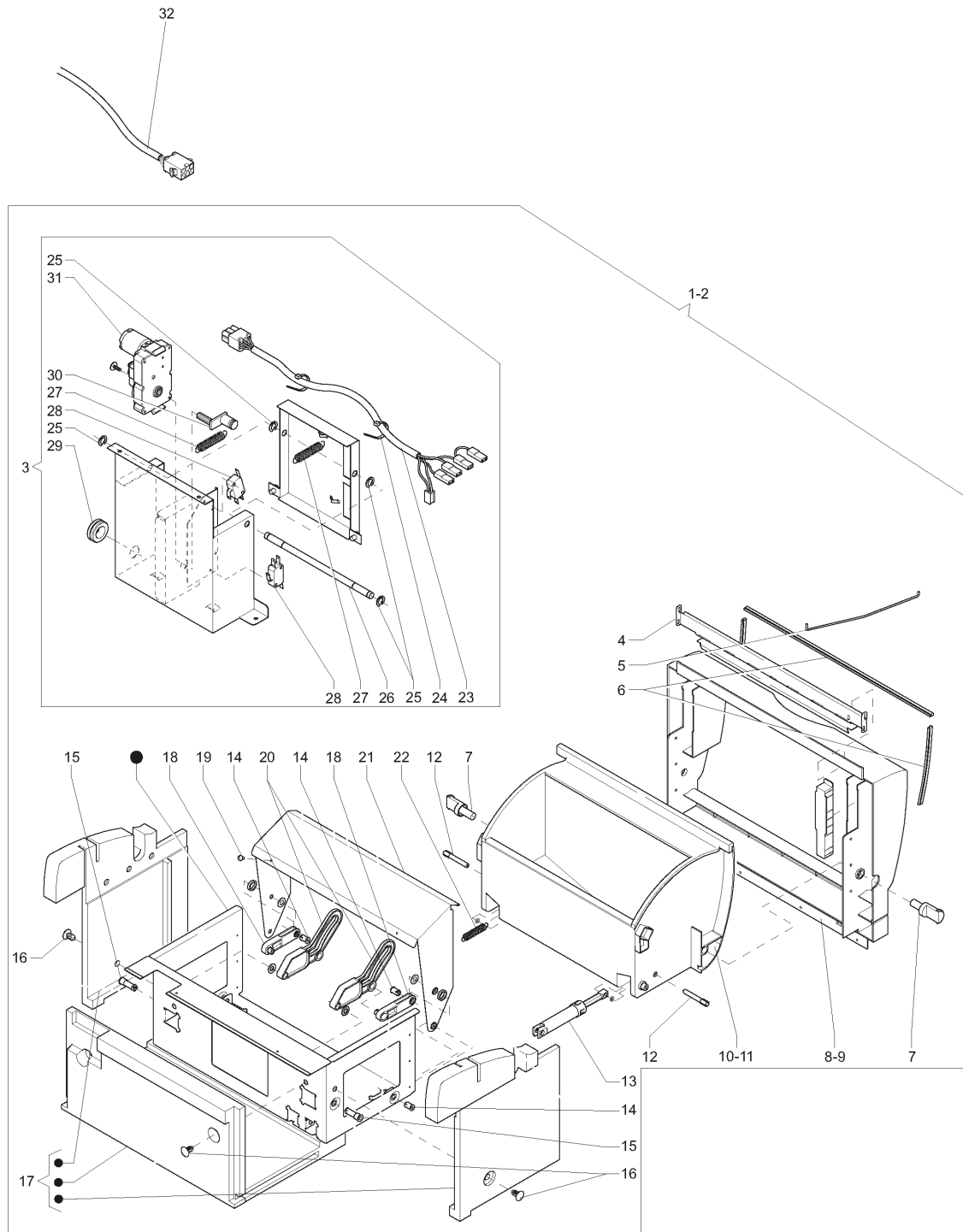


	Code	Description	Notes
1	0V3453	READER MOLDING	
2	255034	PLAIN TIP SELF-TAPPING SCREW 4X12	
3	0V3455	LOGO PLATE	
4	0V3460	LATCH BOLT	
5	251653	DISPLAY 2X16 BLUE	
6	0V3457	DISPLAY GLASS	
7	0V3456	CONTROLS FRAME	
8	0V3465	MONEY RETURN BUTTON	
9	0V3459	PUSH-BUTTON PANEL	
10	099905	LOCK RIELDA	
11	0V3461	MONEY RETURN MOLDING	
12	0V3468	LOWER MOLDING	
13	0V4261	BLACK LOWER MOLDING	
14	0V4264	BLACK MONEY RETURN BUTTON	
15	0V4259	BLACK MONEY RETURN MOLDING	
16	250009	PUSH-BUTTON PANEL -BLACK/SILVER	
17	0V4257	BLACK READER MOLDING	
18	0V4258	BLACK CONTROLS FRAME	
19	251654	DISPLAY 2X16 BLUE-CYRILLIC	
20	250363	COIN SLOT LABEL	
21	250366	CONNECTION WIRING	
22	251698	BRACKET LOCK STRENGTHENING	
23	251279	DISPENSING COMPARTMENT ADHESIVE -KIT KAT-	
24	250750	BLUE MONEY RETURN BUTTON	
25	250751	BLUE READER MOLDING	
26	250753	BLUE MONEY RETURN MOLDING	
27	250754	BLUE LOWER MOLDING	
28	250766	LIOMATIC ADHESIVE -SNAKKY-	
29	250752	BLUE CONTROLS FRAME	
30	252123	GESA ADHESIVE	
31	251510	DISPENSING COMPARTMENT ADHESIVE -KIT KAT-LION-GALAK-	
32	251929	DISTRIBUTION AREA NESTLE' ADHESIVE	
33	251245	DISPENSING COMPARTMENT ADHESIVE -SNAKKY-DALLMAYR	
34	253419	SUPPORT PANEL -SNAKKY-	
35	253359	USER INTERFACE - SNAKKY -	

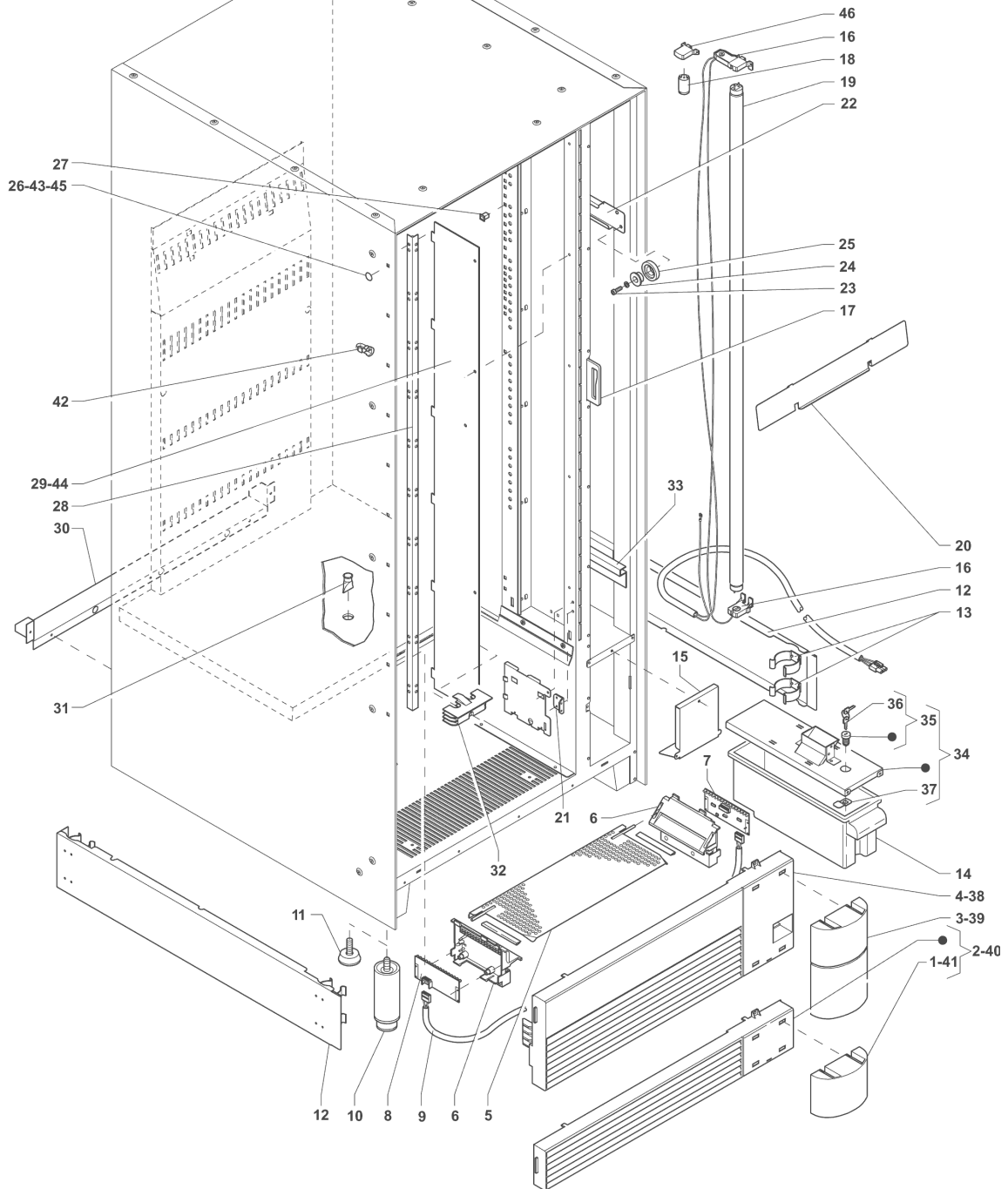


	Code	Description	Notes
1	0V3472	DISPENSING COMPARTMENT	
2	0V3450	DOOR WITH GLASS	
3	0V3511	MGNETIC SEAL	
4	0V3452	CONTROL PANEL	
5	0V0102	ROLLER	
6	252436	16 BIT CPU BOARD 4MB	
7	097175	CARD SPACER	
8	0V3438	WHEEL	
9	0V3439	WHEEL BUSH	
10	096682	SCREW 6X18	
11	0V3469	SUPPORTING PLATE STOP	
12	0V3464	MOVABLE COIN INTRODUCTION CHUTE	
13	0V3463	FIXED COIN INTRODUCTION CHUTE	
14	0V2324	PIPE	
15	0V3466	COIN RETURN ASSY.	
16	0V3467	COIN RETURN LEVER	
17	093754	BENZING COLLAR QUICKBLOCK BQ DIAM MM	
18	099356	SPRING FOR CHANGE	
19	099355	CHANGE GIVING PIN	
20	094111	INSULATING DOLLY BLOCK	
21	0V3471	COIN MECH SUPPORTING PLATE	
22	093890	MONEY RETURN SHUTTER	
23	0V3470	COIN RETURN CHUTE	
24	0V3462	COIN RETURN	
25	0V0983	SLIDER PIN	
26	0V3451	DOOR STOP	
27	0V3481	SEAL (BY METRE)	
28	250569	MOLDING INSERT	
29	0V3480	ROTATION BUSHING	
30	0V3479	EXT. DISPENSING COMPARTMENT MOLDING	
31	0V3478	DISPENSING SLIDER	
32	0V3483	PIN	
33	0V3482	SLOWDOWN CYLINDER	
34	0V3473	ANTI-THEFT	
35	0V3474	ANTI-THEFT PIN	
36	0V3475	ANTI-THEFT ROD	
37	0V3476	ANTI-THEFT DEVICE CONTROL CAM	
38	0V3583	CLIPS	
39	0V3477	CAM PIN	
40	0V3582	COMPARTMENT INSULATION	
41	098833	BUFFER	
42	0V3484	COMPARTMENT RETURN SPRING	
43	0V3594	DOCUMENTATION HOLDER	
44	250356	DISPENSING SLIDER - BLACK-	
45	250010	DISPENSING COMPARTMENT -BLACK-	
46	250008	COIN RETURN - BLACK -	

	Code	Description	Notes
47	250346	DAMPER BEARING	
48	250364	INNER WIRING 1 (L=1360)	
49	250365	INNER WIRING 2 (L=450)	
50	0V1431	SPACER	
51	093916	WHIPPING OVAL	
52	250791	EXT. DISPENSING COMPARTMENT MOLDING-BLACK	
53	250428	CONTROL PANEL -KITKAT-	
54	250440	DOOR WITH GLASS - EVIAN -	
56	250773	BLACK CONTROL PANEL	
58	250765	EXT. DISPENSING COMPARTMENT MOLDING-BLUE-	
59	250769	BLUE CONTROL PANEL	
60	250768	DISPENSING COMPARTMENT -BLUE-	
61	250767	DISPENSING SLIDER - BLUE-	
62	251735	NESTLE' GLASS-CHAMBER ADHESIVE	
63	251663	FRUITTELLA ADHESIVE	
64	251664	DAYGUM ADHESIVE	
65	251665	VIGORSOL- ADHESIVE	
66	0V3635	READER SUPPORT	

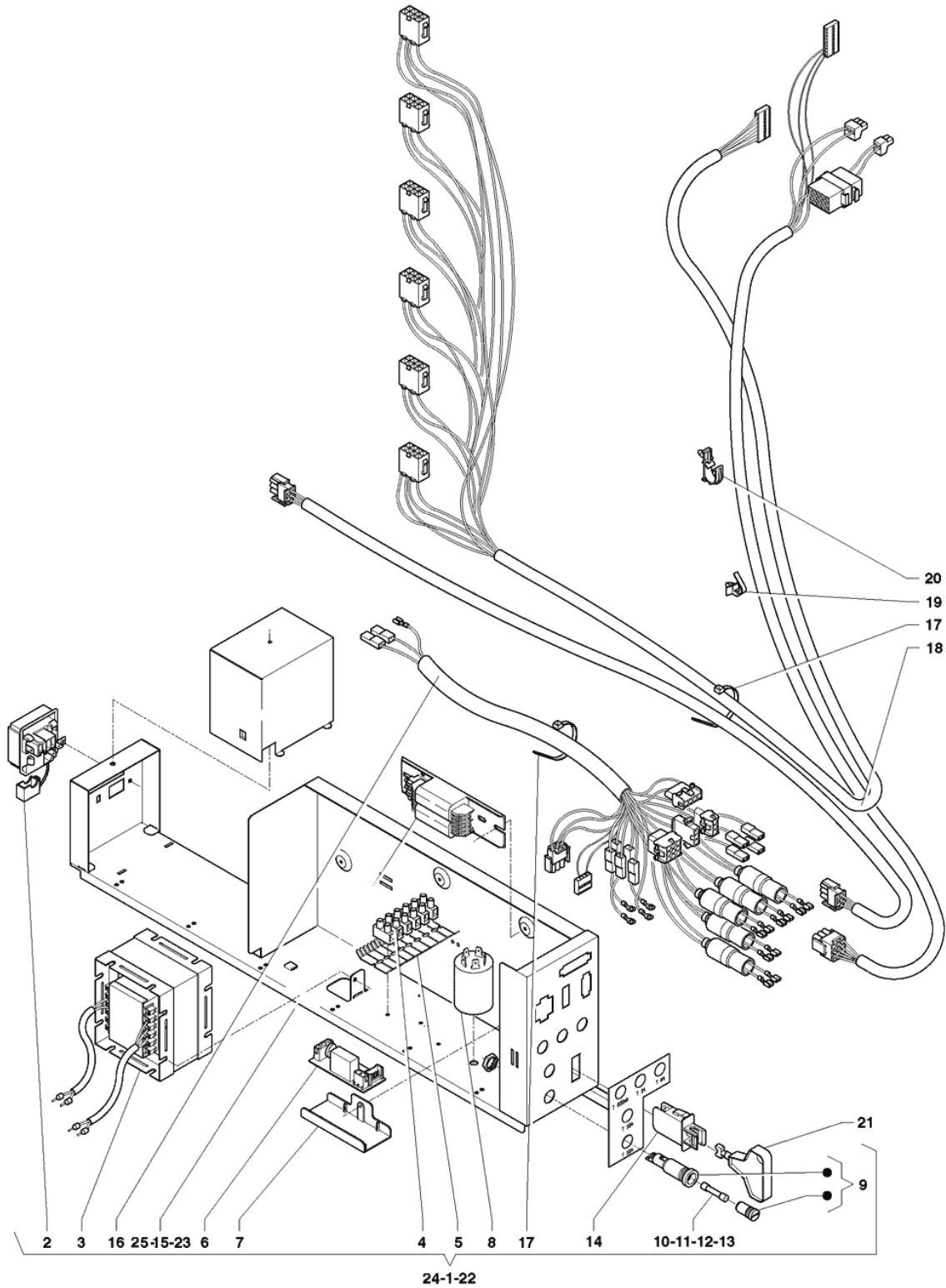


	Code	Description	Notes
1	255187	DISPENSING COMPARTMENT FOR BLOCKING -GRAY-	
2	255188	DISPENSING COMPARTMENT FOR BLOCKING-BLACK	
3	250123	BLOCK FOR DISPENSING COMPARTMENT	
4	250569	MOLDING INSERT	
5	0V3451	DOOR STOP	
6	0V3481	SEAL (BY METRE)	
7	0V3480	ROTATION BUSHING	
8	0V3479	EXT. DISPENSING COMPARTMENT MOLDING	
9	250791	EXT. DISPENSING COMPARTMENT MOLDING-BLACK	
10	250121	DISPENSING SLIDER FOR BLOCK	
11	250771	DISPENSING SLIDER FOR BLOCK -BLACK-	
12	0V3483	PIN	
13	0V3482	SLOWDOWN CYLINDER	
14	0V3474	ANTI-THEFT PIN	
15	0V3477	CAM PIN	
16	0V3583	CLIPS	
17	0V3582	COMPARTMENT INSULATION	
18	0V3475	ANTI-THEFT ROD	
19	098833	BUFFER	
20	0V3476	ANTI-THEFT DEVICE CONTROL CAM	
21	0V3473	ANTI-THEFT	
22	0V3484	COMPARTMENT RETURN SPRING	
23	250118	SLIDER LOCK WIRING	
24	090148	CLIP	
25	091357	OUTER BENZING COLLAR DIAM MM7	
26	250117	PIN	
27	093978	SPRING FOR ACTUATOR	
28	0V1141	MICROSWITCH	
29	090020	WHIPPING MM 16	
30	250120	HANDLE	
31	0V0075	MOTOREDUCER	
32	250119	CONNECTION WIRING	

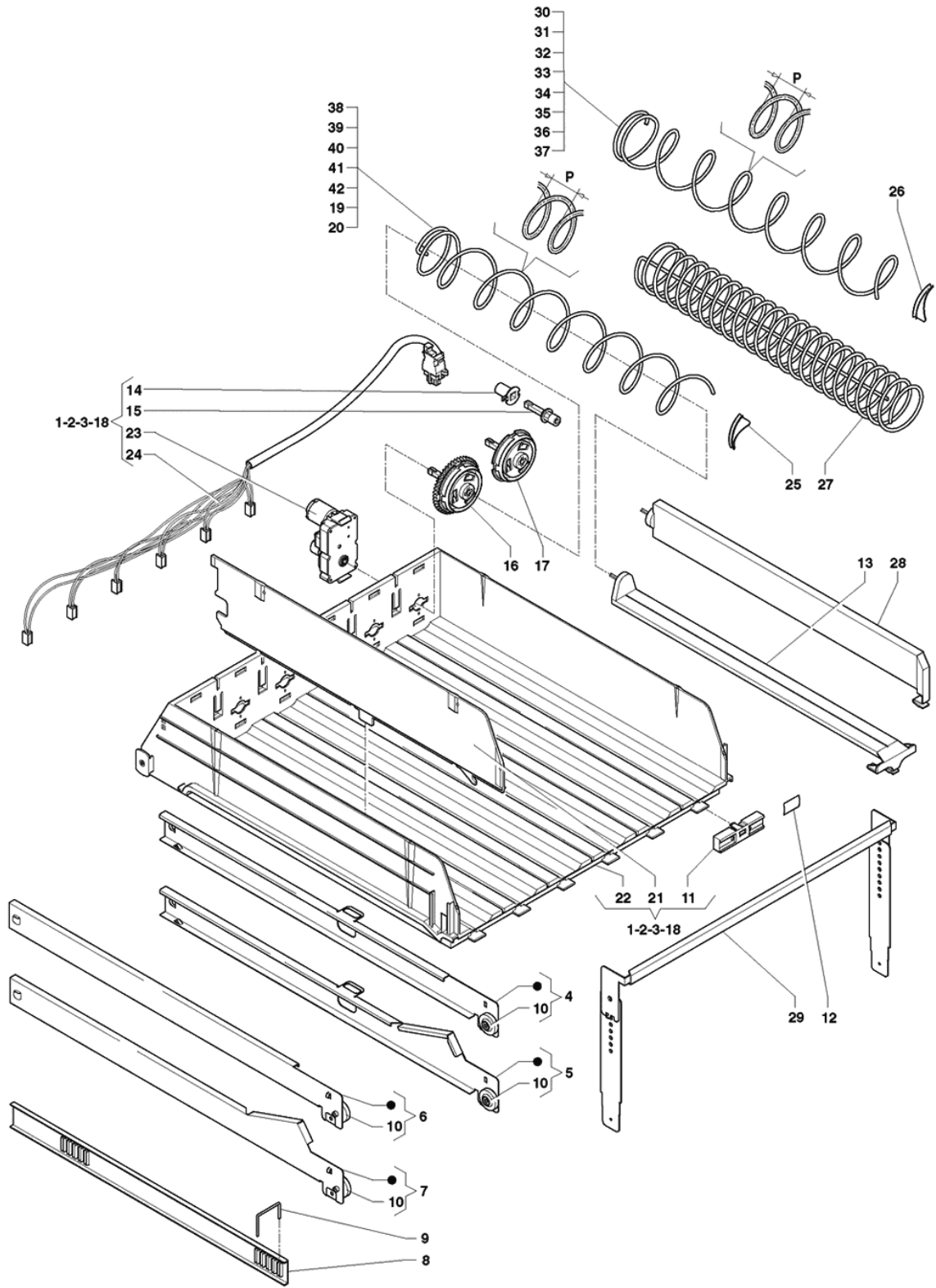


	Code	Description	Notes
1	0V3507	FOOTCOVER MOULDING	
2	0V3506	FOOTCOVER ASSY.	
3	0V3524	MOLDING FOR ELEVATED FOOTCOVER	
4	0V3523	ELEVATED FOOTCOVER	
5	0V3584	PRODUCTS CONVEYOR	
6	0V3581	PRODUCTS DEFLECTOR	
7	0V3499	RECEIVING PHOTOCELL CARD	
8	0V3498	TRANSMITTING PHOTOCELL CARD	
9	0V3454	PHOTOCELL WIRING	
10	0V3527	FOOT FOR ELEVATION	
11	252124	4 FEET KIT	
12	0V3525	SIDE FOOTCOVER	
13	0V3526	FOOTCOVER SPRING	
14	0V3437	COIN BOX	
15	0V3444	CONNECTOR SHIELDS	
16	099153	LAMP-HOLDER	
17	0V3586	LOCK COUPLER BRACKET	
18	091802	STARTER TYPE S10	
19	985532	NEON LIGHT 36 WATT	
20	0V3430	DOUBLE TEMPERATURE WALL	UNTIL SERIAL NUMBER 82601780
20	253784	DOUBLE TEMPERATURE WALL	FROM SERIAL NUMBER 82601781
21	251708	MOLDING SECURING BRACKET	
22	0V3588	UPPER GUIDE	
23	096682	SCREW 6X18	
24	0V3439	WHEEL BUSH	
25	0V3438	WHEEL	
26	0V3585	STOPPER	
27	094111	INSULATING DOLLY BLOCK	
28	0V3580	DOOR HINGE	
29	250578	LAMP SHIELD	
30	0V3508	REAR SPACER	
31	0V0346	DRAIN TUBE	
32	0V3431	TUBE STOP	
33	0V3587	LOWER GUIDE	
34	0V3596	CASHBOX COVER	
35	090861	CYLINDER LOCK TYPE K	
36	092218	PASSE-PARTOUT LOCK K	
37	0V3595	LATCH	
38	250011	ELEVATED FOOTCOVER -BLACK-	
39	250012	MOLDING FOR ELEVATED FOOTCOVER-BLACK-	
40	250007	FEET COVER ASSY.(BLACK)	
41	0V4262	BLACK FOOT MOULDING	
42	0V4200	CABLE RETAINER	
43	250427	STOPPER - RED -	
44	250770	NESTLE' LAMP PROTECTION	
45	250763	BLUE STOPPER	

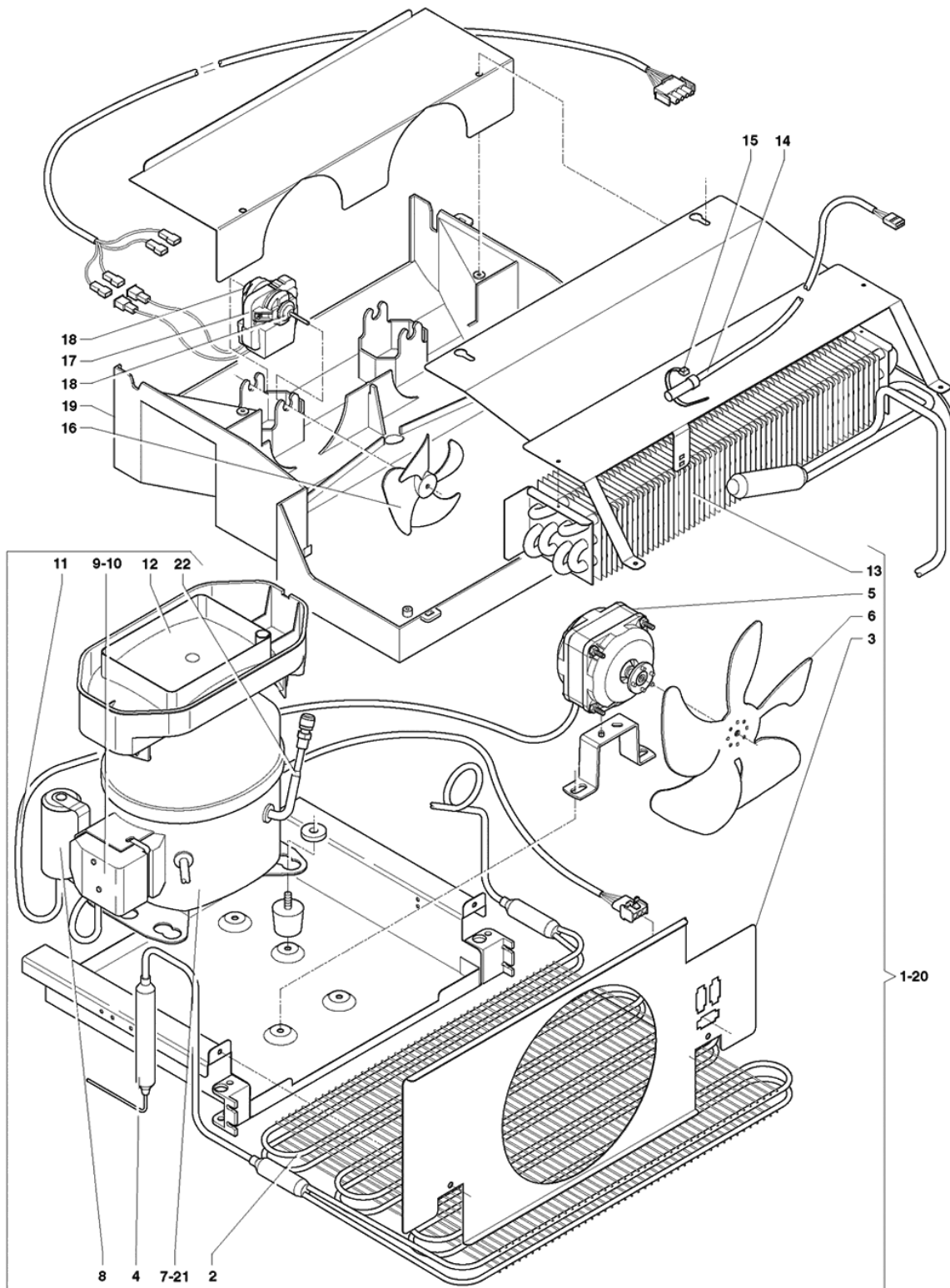
	Code	Description	Notes
46	0V1554	STARTER HOLDER	



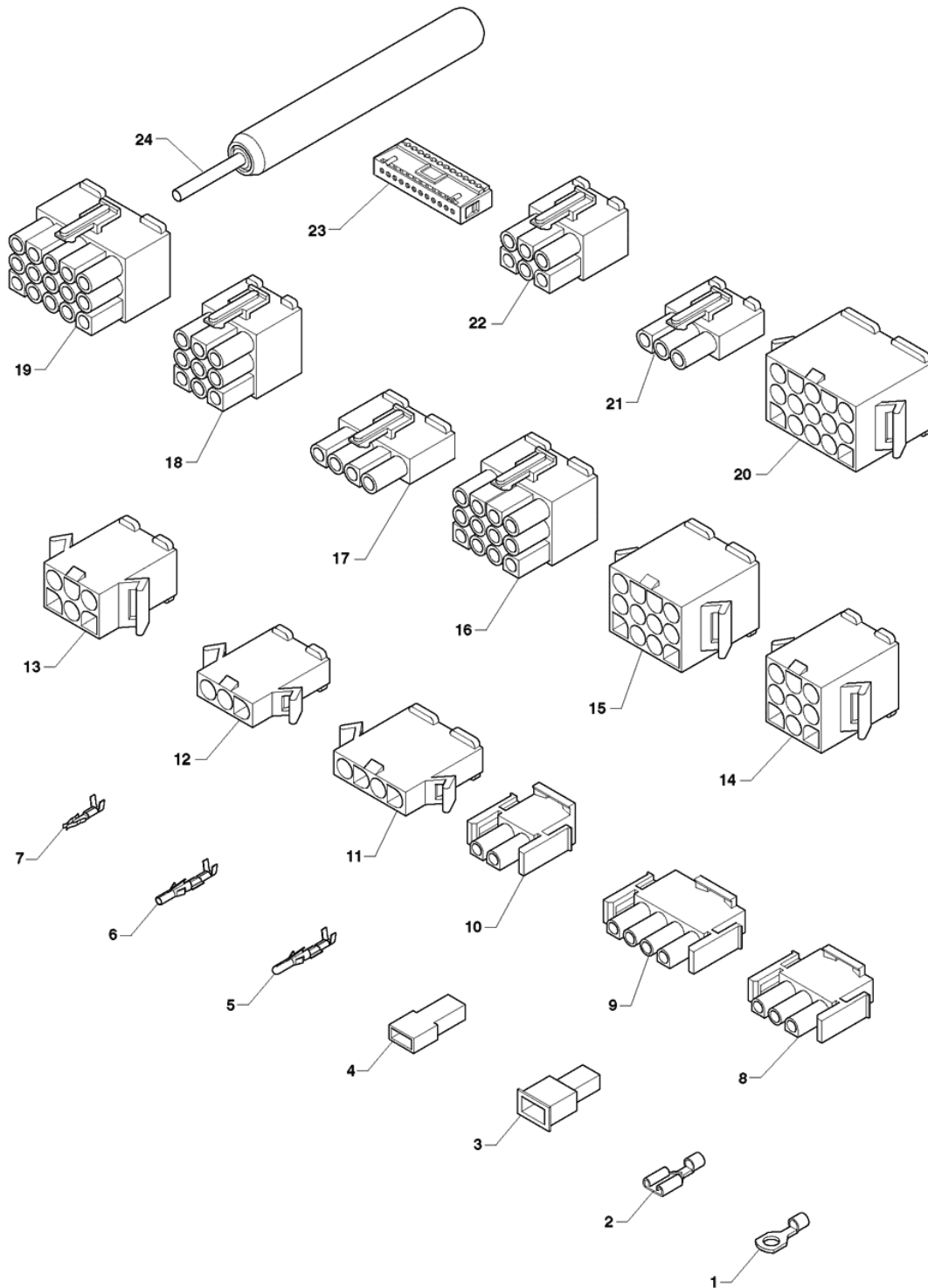
	Code	Description	Notes
1	0V3440	ELECTRICAL PANEL	
2	098796	TERMINAL BOARD	
3	0V0014	G49/25-25V TRASFORMER	
4	253539	12-POLE TERMINAL BOARD	
5	097242	SUB-TERMINAL BOARD	
6	0V0016	OUTR-VARISTOR CARD	
7	094849	COVERING-HOLDER	
8	0V3512	ELECTRICAL NET FILTER	
9	0V3201	FUSE HOLDER	
10	0V3170	6.3 AMP FUSE 6.3X32	
11	099778	FUSE 4 A 24V	
12	097676	FUSE 800 MA	
13	098779	FUSE 6.3X32 1 AMP	
14	097796	SWITCH	
15	987367	36-40WATT BALLAST	
16	0V3513	ELECTRICAL PANEL WIRING	
17	090148	CLIP	
18	0V3441	MAIN WIRING	
19	098165	WIRE-FIXING	
20	098459	WIRE-CLIP	
21	0V1654	SWITCH KEY	
22	250083	ELECTRICAL PANEL 220V-60HZ	
23	250085	BALLAST 220V-60HZ 36/40W-BRAZIL-	
24	253557	ELECTRICAL PANEL 240V-UK/AUS-	
25	252898	240V 50HZ BALLAST -UK-	



	Code	Description	Notes
1	0V3486	TRAY ASSEMBLY WITH 3 SELECTIONS	
2	0V3495	TRAY ASSEMBLY WITH 6 SELECTIONS-SNAKKY	
3	0V3597	TRAY ASSEMBLY WITH 5 SELECTIONS	
4	0V3432	RH STATIONARY GUIDE	
5	0V3434	RH BENT GUIDE	
6	0V3435	LH STATIONARY GUIDE	
7	0V3436	LH BENT GUIDE	
8	0V3509	DRAWER EDGE ELEVATION	
9	0V3510	DRAWER ELEVATION PIN	
10	0V0102	ROLLER	
11	0V3493	DRAWER WITH LABEL	
12	0V3504	(Q.TY 80) TRAY LABELS	
13	0V3497	PRODUCT ELEVATION	
14	0V0080	BUSH FOR PIN	
15	0V0079	BUSH	
16	250321	ASSEMBLY FOR DOUBLE SPIRAL	
17	250320	ASSEMBLY FOR SINGLE SPIRAL	
18	250084	TRAY - 2 DOUBLE/2 SINGLE	
19	0V3536	LH SPIRAL. PITCH 80 (6 PRODUCTS)	
20	0V3539	LH SPIRAL. PITCH 40 (11 PRODUCTS)	
20	253625	LEFT SPIRAL.PITCH 30(15 PRODUCTS)	
21	0V3492	DRAWER EDGE	
22	0V3487	TRAY	
23	0V0075	MOTOREDUCER	
24	0V3494	DRAWER WIRING	
25	0V0099	LEFT EJECTOR	
26	0V0098	RIGHT EJECTOR	
27	0V3540	RH SPIRAL. PITCH 24 1/2 TURN (19+19 PROD.)	
28	0V3505	SPIRAL INSERT 1/2 REV	
29	0V3528	BOTTLE BRIDGE	
30	0V3500	RH SPIRAL. PITCH 54 (8 PRODUCTS)	
31	0V3502	RH SPIRAL. PITCH 34 (13 PRODUCTS)	
32	0V3503	RH SPIRAL. PITCH 80 (6 PRODUCTS)	
33	0V3529	RH SPIRAL. PITCH 24 (19 PRODUCTS)	
34	0V3530	RH SPIRAL. PITCH 46 (10 PRODUCTS)	
35	0V3531	RH SPIRAL. PITCH 64 (7 PRODUCTS)	
36	0V3537	RH SPIRAL. PITCH 30 (15 PRODUCTS)	
37	0V3538	RH SPIRAL. PITCH 40 (11 PRODUCTS)	
38	0V3501	LEFT SPIRAL. PITCH 54 (8 PRODUCTS)	
39	0V3532	LH SPIRAL. PITCH 24 (19 PRODUCTS)	
40	0V3533	LH SPIRAL. PITCH 34 (13 PRODUCTS)	
41	0V3534	LH SPIRAL. PITCH 46 (10 PRODUCTS)	
42	0V3535	LH SPIRAL. PITCH 64 (7 PRODUCTS)	



	Code	Description	Notes
1	0V3445	COOLING UNIT	
2	0V3518	CONDENSER	
3	0V3520	FAN SHIELD	
4	0V3519	DEHYDRATOR FILTER	
5	254807	ELECTRIC FAN 16WATT 50/60HZ	
6	0V3517	200X34 FAN	
7	0V3514	GL80TB COMPRESSOR	
7	257128	COMPRESSOR EMBRACO EMT6160Z	
8	985075	CAPACITOR	
9	0V3557	RELAY COMPRESSOR STARTER	
10	0V3558	COMPRESSOR-PROTECTION	
11	0V3522	COOLING UNIT WIRING	
12	0V3515	CONDENSATE COLLECTION TRAY	
13	0V3521	EVAPORATOR	
14	250612	TEMPERATURE PROBE	
15	090148	CLIP	
16	0V3449	FAN DIAM 100	
17	0V3447	MOTOR	
18	0V3448	RUBBER PIECE	
19	0V3446	CELL TRAY	
20	250039	COOLING UNIT 220V-60HZ	
21	250036	GL80TG COMPRESSOR 230V-50/60HZ	
21	257155	COMPRESSOR EMBRACO NEK6160Z	
22	985603	RECHARGE VALVE	



	Code	Description	Notes
1	090957	EYELET TERMINAL	
2	090959	FASTON W/O TONGUE	
3	091192	FASTON COVER	
4	090247	FEMALE FASTON COVER	
5	095955	TERMINAL MALE	
6	096136	TERMINAL FEMALE	
7	094405	TERMINAL FEMALE 2.5	
8	094954	FEMALE HOLDER CONNECTOR 3-WAYS	
9	098062	4-WAY CONNECTOR MATE-N-LOK AMP	
10	094955	FEMALE HOLDER CONNECTOR 2-WAYS	
11	0V0809	4-PIN CONNECTOR/P MOLEX 3191	
12	0V0808	3-PIN CONNECTOR/P MOLEX 3191	
13	0V0810	6-PIN CONNECTOR/P MOLEX 3191	
14	0V0811	9-PIN CONNECTOR/P MOLEX 3191	
15	0V0812	12-PIN CONNECTOR/P MOLEX 3191	
16	0V0818	12-PIN CONNECTOR/P MOLEX 3191	
17	0V0815	4-PIN CONNECTOR/P MOLEX 3191	
18	0V0817	9-PIN CONNECTOR/P MOLEX 3191	
19	0V0819	15-PIN CONNECTOR/P MOLEX 3191	
20	0V0813	15-PIN CONNECTOR/P MOLEX 3191	
21	0V0814	3-PIN CONNECTOR/P MOLEX 3191	
22	0V0816	6-PIN CONNECTOR/P MOLEX 3191	
23	094961	FEMALE HOLDER CONNECTOR P.I. 12-W	
24	0V0820	MOLEX CONTACT PULLER	