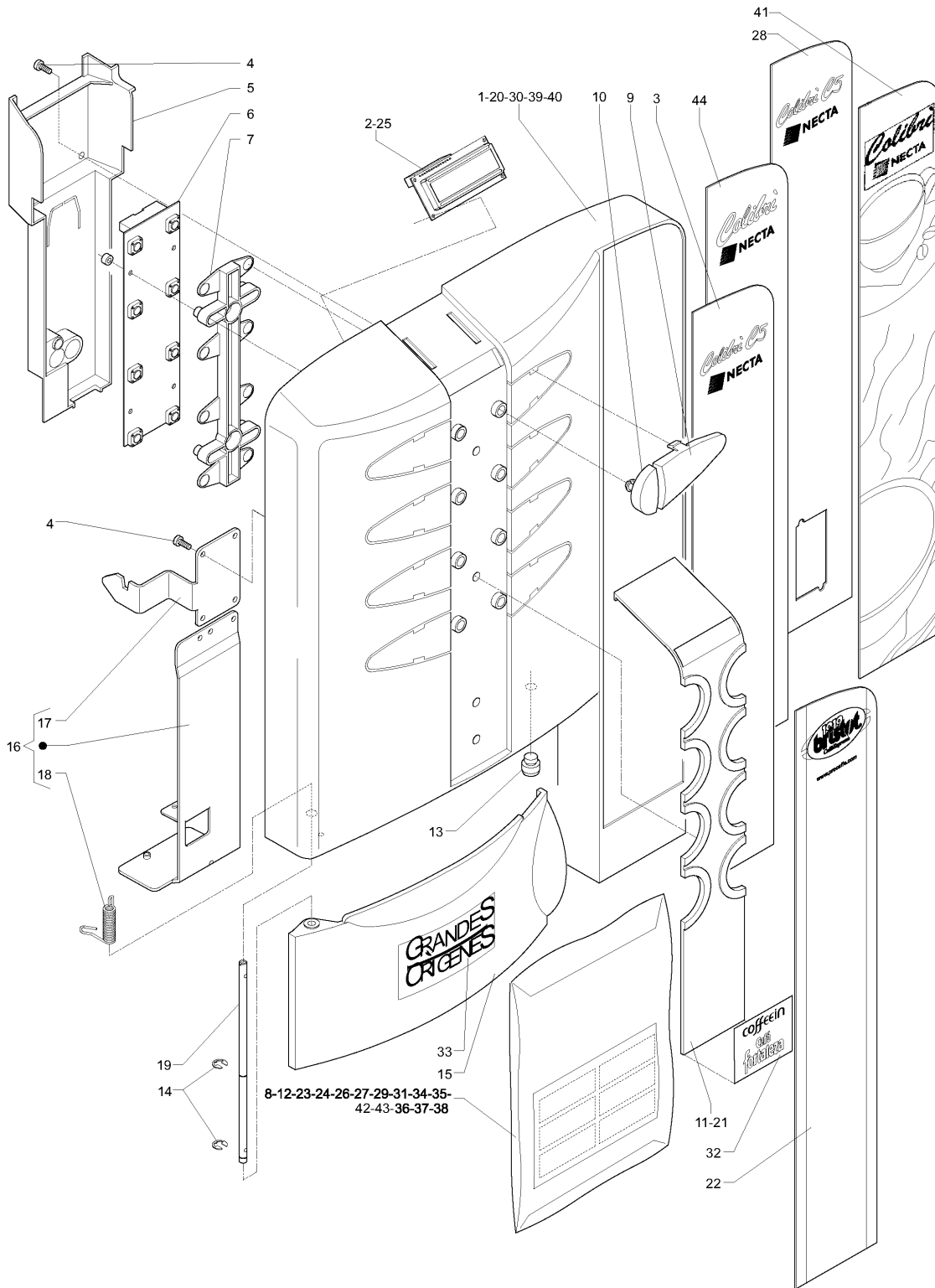


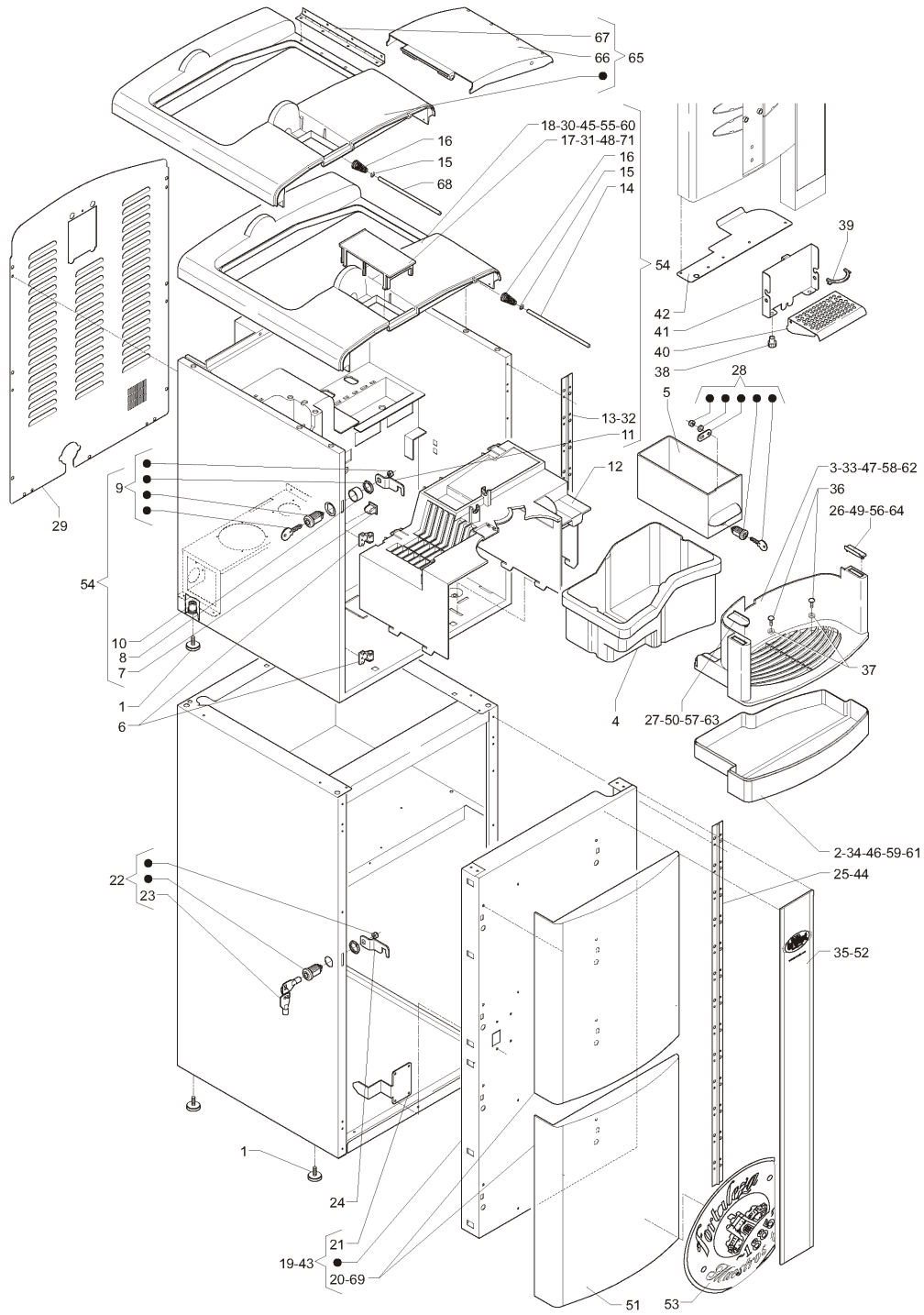
Colibrì C5 Caffé / Té Espresso - 220VOLT - 50 HZ





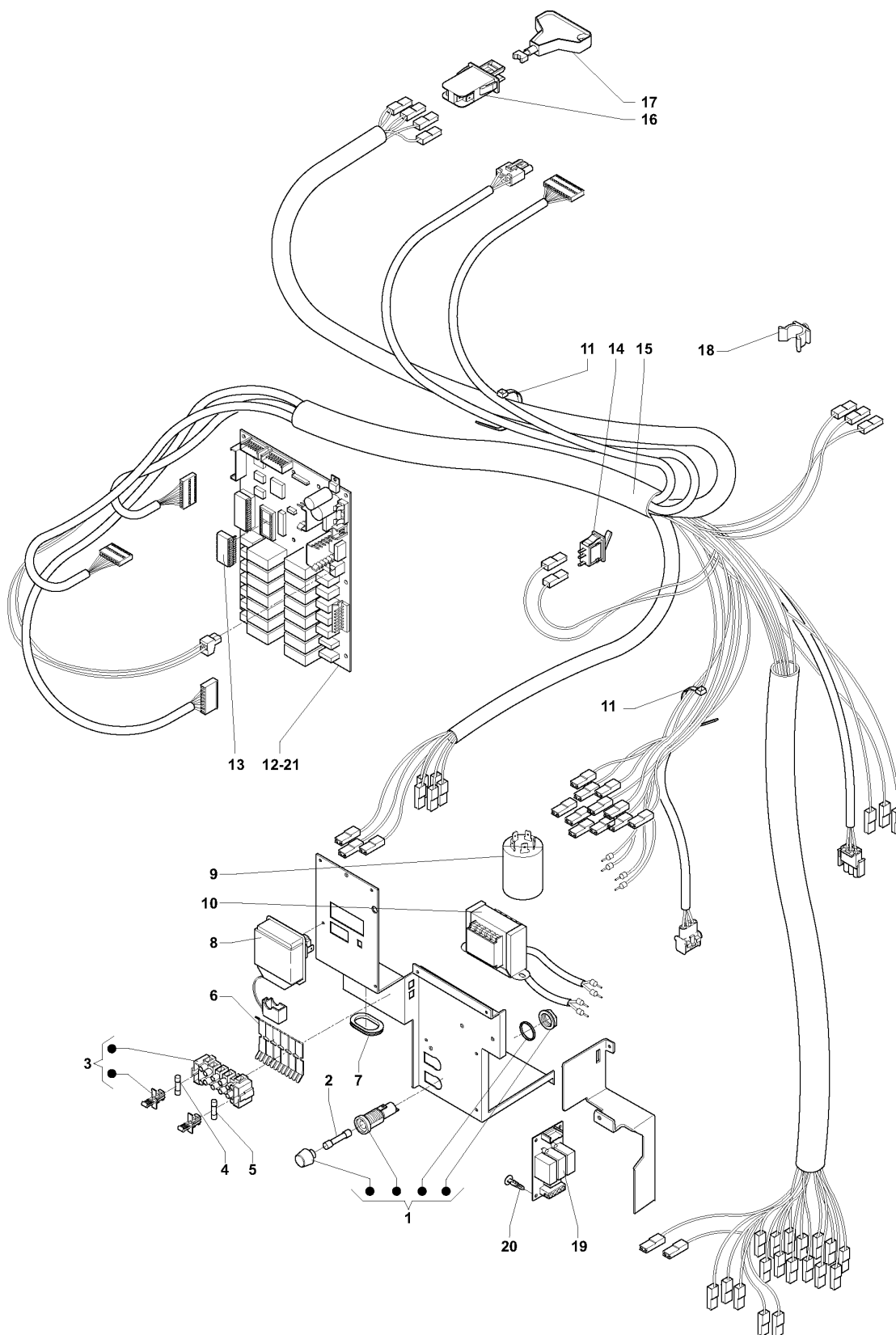
	Code	Description	Notes
1	0V2627	DOOR	
2	251656	DISPLAY 1X16 BLUE	
3	251682	PANEL FOR FRONT COIN-MECH.	
4	255034	PLAIN TIP SELF-TAPPING SCREW 4X12	
5	0V2972	CARD COVER	
6	0V2535	INTERFACE CARD	
7	0V2534	BOARD SUPPORT	
8	0V2637	PRODUCT LABELS (E-P)	
9	0V2567	NAMEPLATE GLASS	
10	0V2539	SELECTION BUTTON	
10	254829	RED SELECTION BUTTON	
11	0V2533	BADGE BUTTONS	
11	254830	BADGE BUTTONS -TOPCUP-	
12	251683	PRODUCT PLATE -I/F-	
13	0V2755	RUBBER PIECE	
14	091287	OUTER FIXING COLLAR	
15	0V2716	SLIDER	
16	0V2751	SLIDER SUPPORT	
17	0V2537	BOLT HOOK	
18	252565	SLIDER SPRING	
19	0V2754	SLIDER PIN	
20	0V2993	BLACK DOOR	
21	0V3355	BADGE BUTTONS -BLACK-	
22	252052	COIN MECHANISM ADHESIVE-BRISTOT-	
23	251683	PRODUCT PLATE -I/F-	
24	250355	PRODUCT LABELS (D-UK)	
25	251657	DISPLAY 1X16 BLUE-CIRILICO-	
26	0V3627	PRODUCT LABELS-CZ/PL/H/SK/RUS/RO-	
27	0V3627	PRODUCT LABELS-CZ/PL/H/SK/RUS/RO-	
28	252135	ZIP FRONT PANEL	
29	252159	PRODUCT LABELS FOR BELGIUM	
30	252289	DOOR (RED 3002)	
31	252292	PRODUCT PLATE SERVENTA	
32	252290	COFFEE IN-FORTALEZA ADHESIVE	
33	252291	GRANDES ORIGENES ADHESIVE	
34	252438	PRODUCTS LABELS -ARGENTINA-	
35	0V2637	PRODUCT LABELS (E-P)	
36	0V3358	PRODUCT LABELS -DK-N-S-	
37	252434	PRODUCTS LABELS-HUNGARY-	
38	0V2970	PRODUCT LABELS (UK-TR)	
39	250057	DOOR -RED 3020	
40	252761	DOOR (BLUE 5010)	
41	250212	SEMIAUTOMATIC-SELECTION PANEL	
42	250355	PRODUCT LABELS (D-UK)	
42	254857	PRODUCT LABELS TOPCUP -A-	
43	250456	PRODUCT TAGS 'UK'	

	Code	Description	Notes
44	0V2538	FRONT SELECTION PANEL	
44	254826	FRONT PANEL -TENDENZA-	

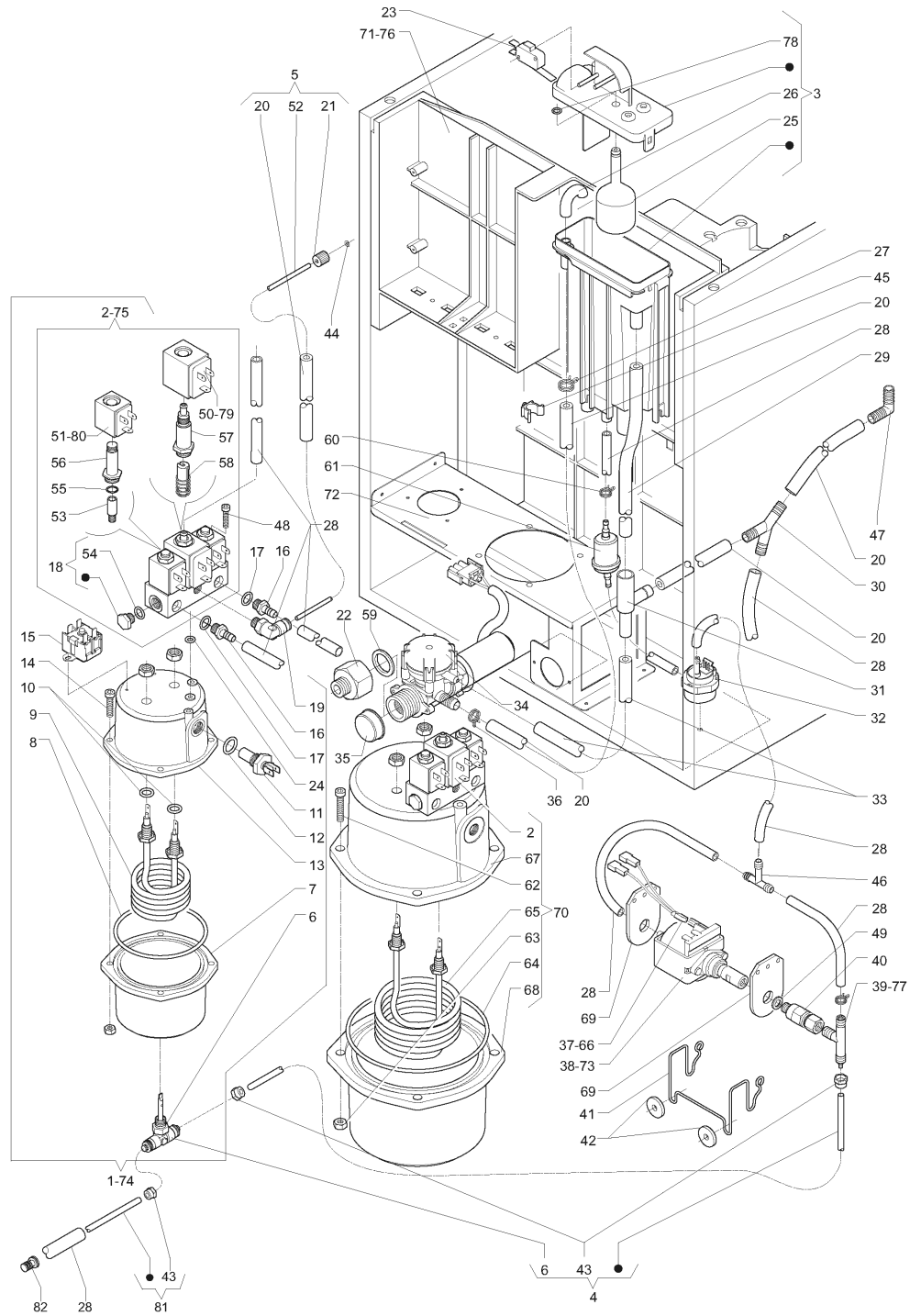


	Code	Description	Notes
1	0V2566	FOOT	
2	0V2514	LIQUIDS TRAY	
3	0V2515	DISPENSING OPENING	
4	0V2513	COFFEE GROUNDS TRAY	
5	0V2563	COIN BOX	
6	0V2495	HINGE	
7	094026	FEMALE CLIP	
8	0V2496	LOCK SPACER	
9	099905	LOCK RIELDA	
10	250037	THREADED INSERT M6	
11	0V2497	LOCK-BOLT	
12	0V2564	DISPENSER VALVE COVERING	
13	252054	DOOR HINGE	
14	0V2500	CANISTER FASTENER PIN	
15	091287	OUTER FIXING COLLAR	
16	0V2501	STOP SPRING	
17	0V2502	TEMPLATE	
18	0V2499	UPPER PART FOR PIECE OF FURNITURE	
19	0V2571	DOOR CABINET	
20	0V2570	CAP FOR DOOR CABINET	
21	0V2537	BOLT HOOK	
22	098303	LOCK TYPE 'N'	
23	098463	PASSPARTOUT -ROUND LOCK-	
24	0V2569	BOLT HOOK	
25	0V2568	HINGE FOR DOOR CABINET	
26	0V2974	RIGHT STOP	
27	0V2973	LEFT DISPENSING OPENING STOP	
28	099319	LOCK	
29	0V3404	REAR COVER	
30	0V2977	CABINET TOP (BLACK)	
31	0V2981	MOLDING (BLACK)	
32	0V2995	DOOR HINGE (BLACK)	
33	0V2982	DISPENSING OPENING (BLACK)	
34	0V2980	LIQUID TRAY (BLACK)	
35	252053	CABINET DOOR ADHESIVE LABEL-BRISTOT-	
36	099184	CUP POSITIONING PIN	
37	096863	PIVOT WASHER	
38	097699	KNURL M4	
39	0V1130	CUP STOP	
40	250046	CUPS ELEVATION	
41	250047	REAR FOR CUPS ELEVATION	
42	250045	CLOSING PLATE	
43	0V3000	CABINET DOOR (BLACK)	
44	0V2996	CABINET DOOR HINGE (BLACK)	
45	252282	TOP FOR CABINET (RED 3002)	
46	252284	LIQUID TRAY (RED 3002)	

	Code	Description	Notes
47	252285	DISPENSING COMPARTMENT (RED 3002)	
48	252286	MOLDING (RED 3002)	
49	252288	RIGHT STOP (RED 3002)	
50	252287	LEFT STOP (RED 3002)	
51	252294	CABINET DOOR TOP (RED 3002)	
52	252295	COFFEE IN ADHESIVE	
53	252296	FORTALEZA ADHESIVE	
54	252700	COLIBRI' CABINET C5-GRAY-	
55	250050	CABINET TOP -RED 3020	
56	250053	RIGHT STOP (RED 3020)	
57	250054	LEFT STOP -ROSSO 3020	
58	250055	DISPENSING OPENING -RED 3020	
59	250052	LIQUID TRAY -ROSSO 3020	
60	252755	CABINET TOP (BLUE 5010)	
61	252757	LIQUIDS TRAY (BLUE 5010)	
62	252760	DISPENSING COMPARTMENT (BLUE)	
63	252758	LEFT STOP (BLUE 5010)	
64	252759	RIGHT STOP (BLUE 5010)	
65	252574	MACHINE TOP ASSY.-TEA VERSION-	
66	252576	RIGHT COVER	
67	252577	HINGE	
68	252572	CANISTER FASTENER PIN	
69	0V2984	CABINET DOOR TOP (BLACK)	
70	096977	KNURL	
71	254828	MICROSWITCH TEMPLATE -TOPCUP-	

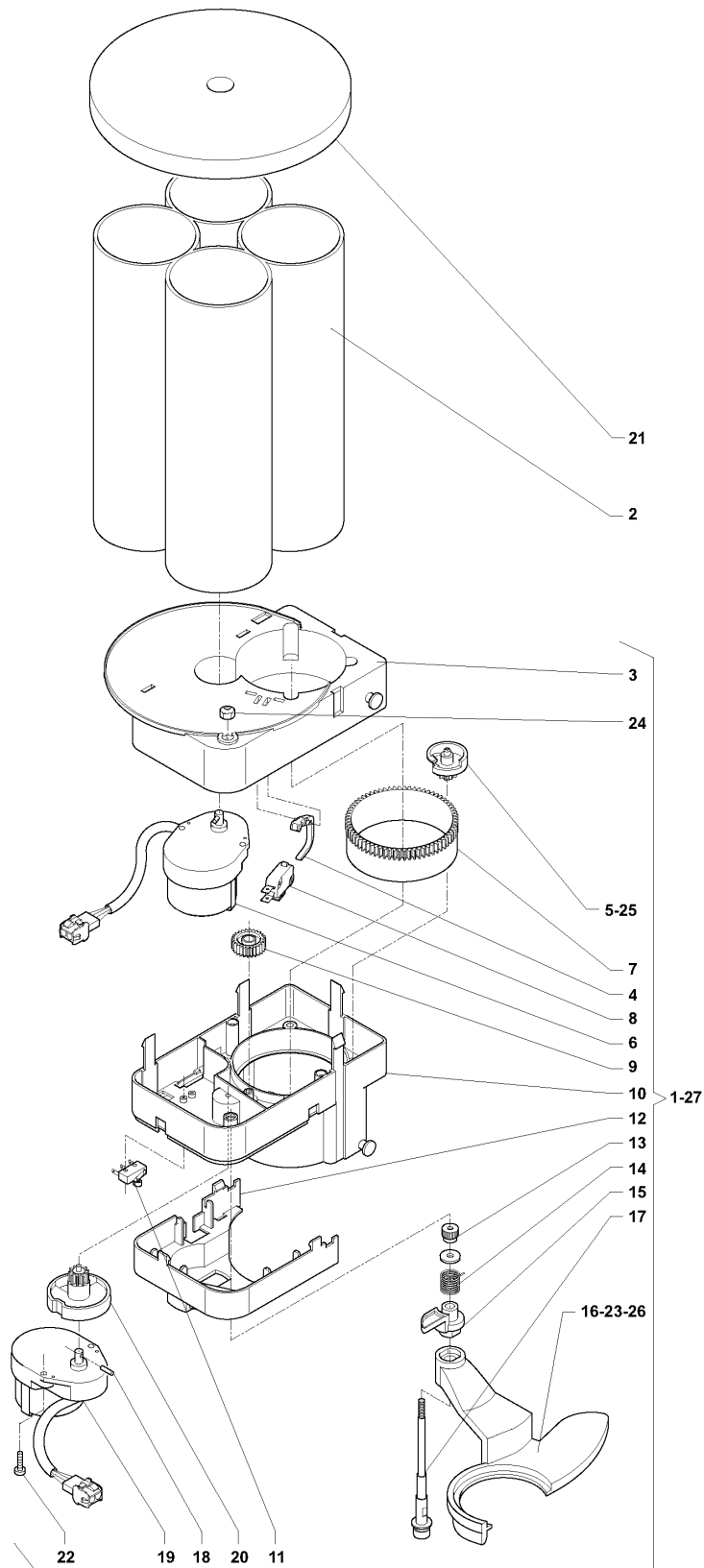


	Code	Description	Notes
1	098794	FUSE-HOLDER	
2	094907	QUICK FUSE 10A	
3	097241	3-POLE TERMINAL BOARD W/CARRIER	
4	097103	FUSE 1.25A 5X20 DELAYED ACTION	
5	097544	FUSE 125 MA DELAYED ACTION	
6	097242	SUB-TERMINAL BOARD	
7	090020	WHIPPING MM 16	
8	098796	TERMINAL BOARD	
9	0V3512	ELECTRICAL NET FILTER	
10	098792	TRANSFORMER	
11	090148	CLIP	
12	0V2505	CONTROL BOARD	
13	988372	EPROM 2048K (TO BE PROGRAMMED)	
14	0V2378	SWITCH	
15	251684	MAIN WIRING ASSEMBLY	
16	097796	SWITCH	
17	0V1654	SWITCH KEY	
18	098484	HOSE FIXING	
19	0V2681	CARD 3 RELAY	
20	985085	CLIP FOR PRINTED CIRCUIT	
21	0V3028	PLUS CONTROL BOARD	

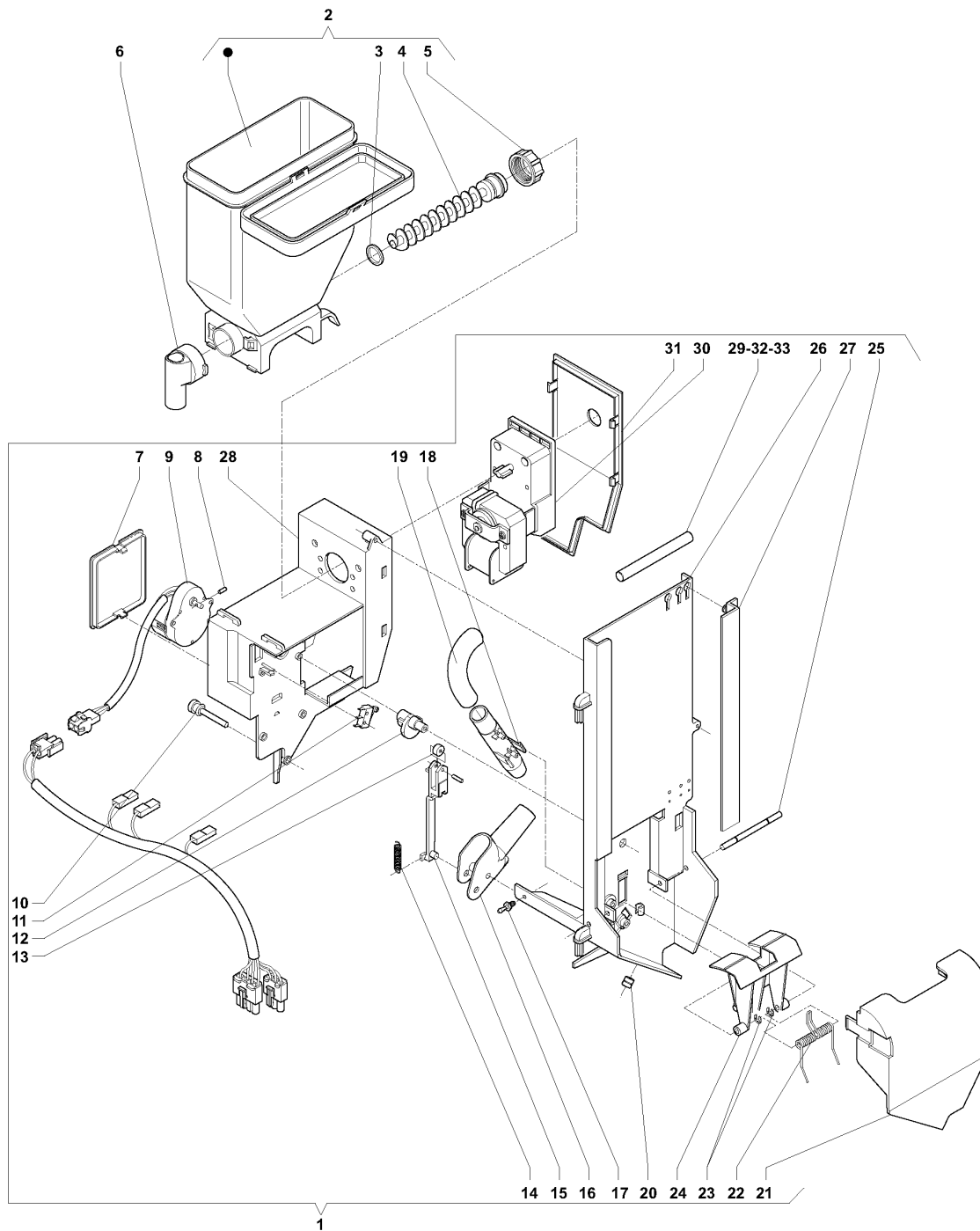


	Code	Description	Notes
1	0V2506	COFFEE BOILER ASSEMBLY 300 CC.	
2	098761	2+3+2 WAYS ELECTROVALVES GROUP	
3	0V1133	AIR-BREAK ASSEMBLY	
4	0V2511	PIPE PUMP/BOILER + "T"	
5	0V2512	PISTON-PIPE	
6	255443	UNION 6/3-1/8	
7	098641	LOWER BOILER-COVER	
8	098701	GASKET	
9	098645	HEATING-ELEMENT	
10	254711	GASKET O-RING112 2.62X9.92	
11	094872	BOILER TEMPERATURE PROBE	
12	095624	GASKET O-RING 116 EP851	
13	098640	UPPER BOILER-COVER	
14	255043	SCREW M5X20	
15	0V1318	125 DEGR. THERMOSTAT	
16	095529	RUBBER HOLDER UNION 1/8' (BRASS)	
17	094594	GASKET O-RING 2031	
18	0V1600	CAP WITH O-RING	
19	0V2509	UNION L-SHAPE 5X1/8	
20	097685	SILICONE HOSE BROWN 7.5X12	
21	098699	UNION FOR PISTON PIPE	
22	094437	UNION 3/8/M.-3/4F	
23	0V1141	MICROSWITCH	
24	252538	O-RING 2025	
25	0V1126	AIR-BREAK FLOAT	
26	0V1749	WATER/AIR-BREAK CONNECTION	
27	097002	HOSE CLIP	
28	097510	SILICONE HOSE 5X9 BROWN	
29	097515	SILICONE HOSE 10X16 BROWN	
30	095513	UNION Y-SHAPE	
31	094185	CODENSE RECOVERY UNION	
32	098707	VOLUMETRIC COUNTER	
33	097512	SILICONE HOSE 6X12 BROWN	
34	097383	ELECTROVALVE WATER-INLET 220V-2.5L/MIN-	
35	099815	STOPPER	
36	095515	HOSE CLIP DIAM 14	
37	098815	90 DEGREES THERMIC PROTECTION	
38	098760	PUMP (VIBRATION)	
39	098764	BY-PASS PUMP (12 BAR)	
40	099101	NO-RETURN VALVE	
41	0V2510	POMPE SUPPORT	
42	093091	PUMP DAMPER	
43	099107	NUT	
44	094611	GASKET O-RING 2018	
45	098484	HOSE FIXING	
46	094231	UNION T-SHAPE	

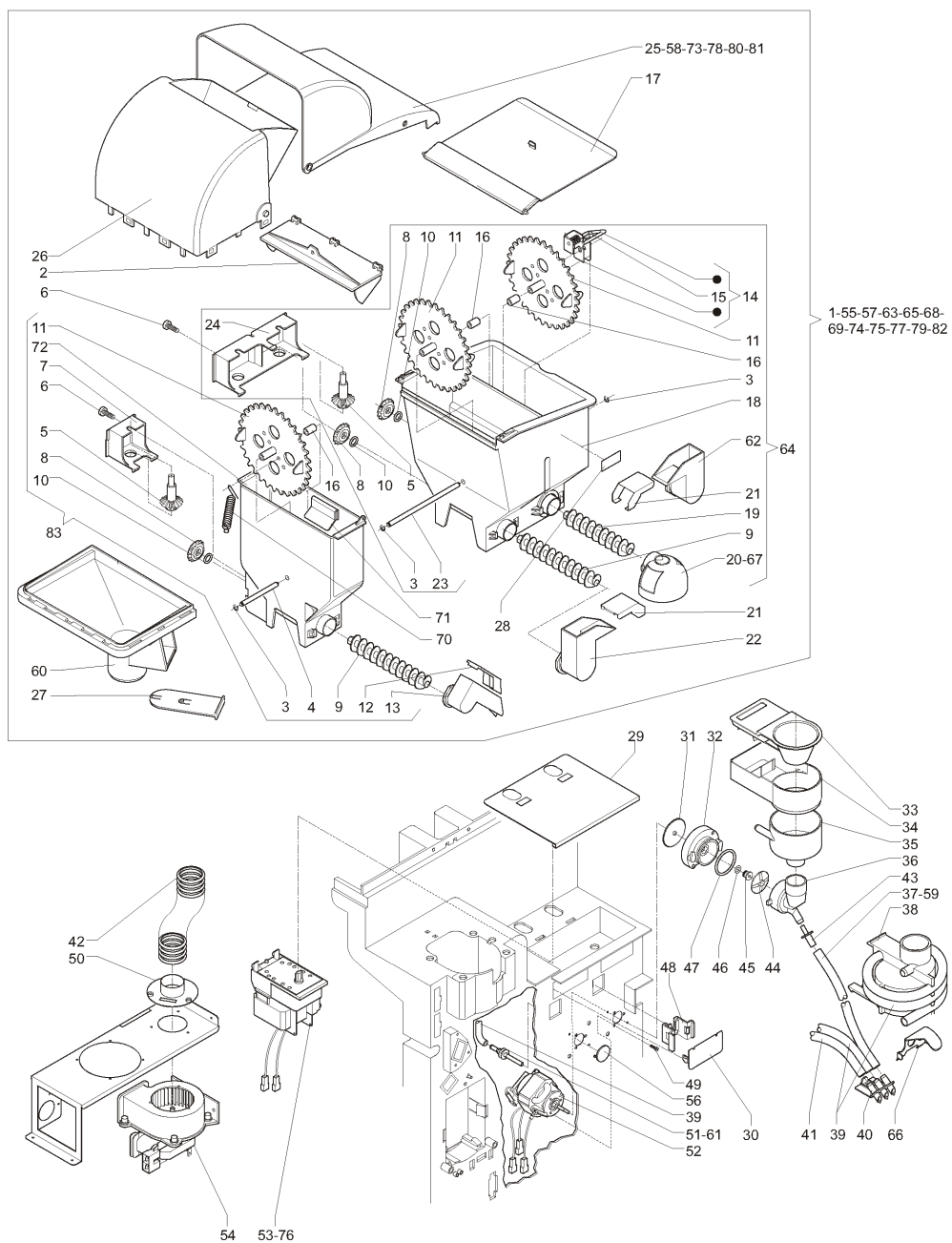
	Code	Description	Notes
47	094571	UNION 90 DEGREES	
48	255045	SCREW M4X25 -INOX-	
49	251143	ALUMINIUM WASHER	
50	099057	ELECTROV.-COIL 220/230 VOLT	
51	099056	INSTANTS COIL	
52	252128	PISTON TUBE	
53	099058	NUCLEUS INSTANT-E.V.	
54	096553	GASKET O-RING 2037	
55	099059	VALVE-BUSH-GASKET	
56	0V1953	INSTANT-ELECTROV. CONNECTION PIPE	
57	099105	COFFEE-ELECTROV. CONNECTION PIPE	
58	097472	3-WAY ELECTROVALVE NUCLEUS -VITON-	
59	092364	UNION GASKET 3/4	
60	093957	TUBE CLAMP	
61	097435	WATER FILTER VOLUMETRIC COUNTER	
62	255041	SCREW M6X25	
63	255042	NUT M6	
64	099748	GASKET -VERS. 600CC-	
65	099653	HEATING ELEMENT 1450 W	
66	0V1301	110 DEGREES THERMAL OVERLOAD	
67	0V3650	BOILER UPPER COVER	
68	0V3651	BOILER LOWER COVER	
69	0V4275	POMPE SUPPORT	
70	250038	BOILER ASSEMBLY 600 C.C.	
71	252299	FURNITURE FOR WALL-AUTOMATIC-	
72	252537	BOILER SUPPORT	
73	0V0465	PUMP 220V - 60 HZ	
74	0V2810	300 CC. 60 HZ COFFEE BOILER ASSY	
75	098761	2+3+2 WAYS ELECTROVALVES GROUP	
76	252573	WALL FOR CABINET -TEA VERSION-	
77	0V0493	BY-PASS PUMP -4 BAR-	
78	090421	GASKET OR 2025	
79	0V0917	3 WAY ELECTROVALVE 60 HZ COIL	
80	0V0918	2 WAY ELECTROVALVE 60 HZ COIL	
81	255756	TUBE L=30 + NUT	
82	251847	DIAM. 6 QUICK-COUPLING	



	Code	Description	Notes
1	0V2540	CUP DISPENSER	
2	0V2552	CUP CONTAINER	
3	0V2547	UPPER SHELL	
4	0V2548	LEVER FOR MICROSWITCH	
5	098305	SCROLL DIAM.70/71	
6	0V2549	MOTOREDUCTOR 3 G/M	
7	098477	TOOTHED RING	
8	092439	MICRO TYPE 'CHERRY'	
9	0V2546	MIDDLE GEAR	
10	0V2541	LOWER SHELL	
11	096355	MICRO SWITCH -UL -	
12	0V2550	MOTOR COVERING	
13	093828	KNURL	
14	0V2543	LEVER SPRING	
15	0V2544	ARM	
16	0V2551	ARM FOR CUP 70/71	
17	0V2542	PIVOT FOR ARM	
18	096904	ELASTIC PLUG 1.5X8	
19	099397	MOTOR REDUCTOR 6G/1 MIN.	
20	0V2545	CAM	
21	0V2976	CUP CONTAINER COVER	
22	987628	EJOT-PT-SCREW 30X8	
23	0V2983	CUP ARM 70/71 (BLACK)	
24	986614	NUT FLANGED	
25	0V1659	SNAIL W/DIAM. 73-74	
26	0V3314	ARM FOR CUP 73/74 -BLACK	
27	0V2816	CUPS DISTRIBUTOR 73/74	

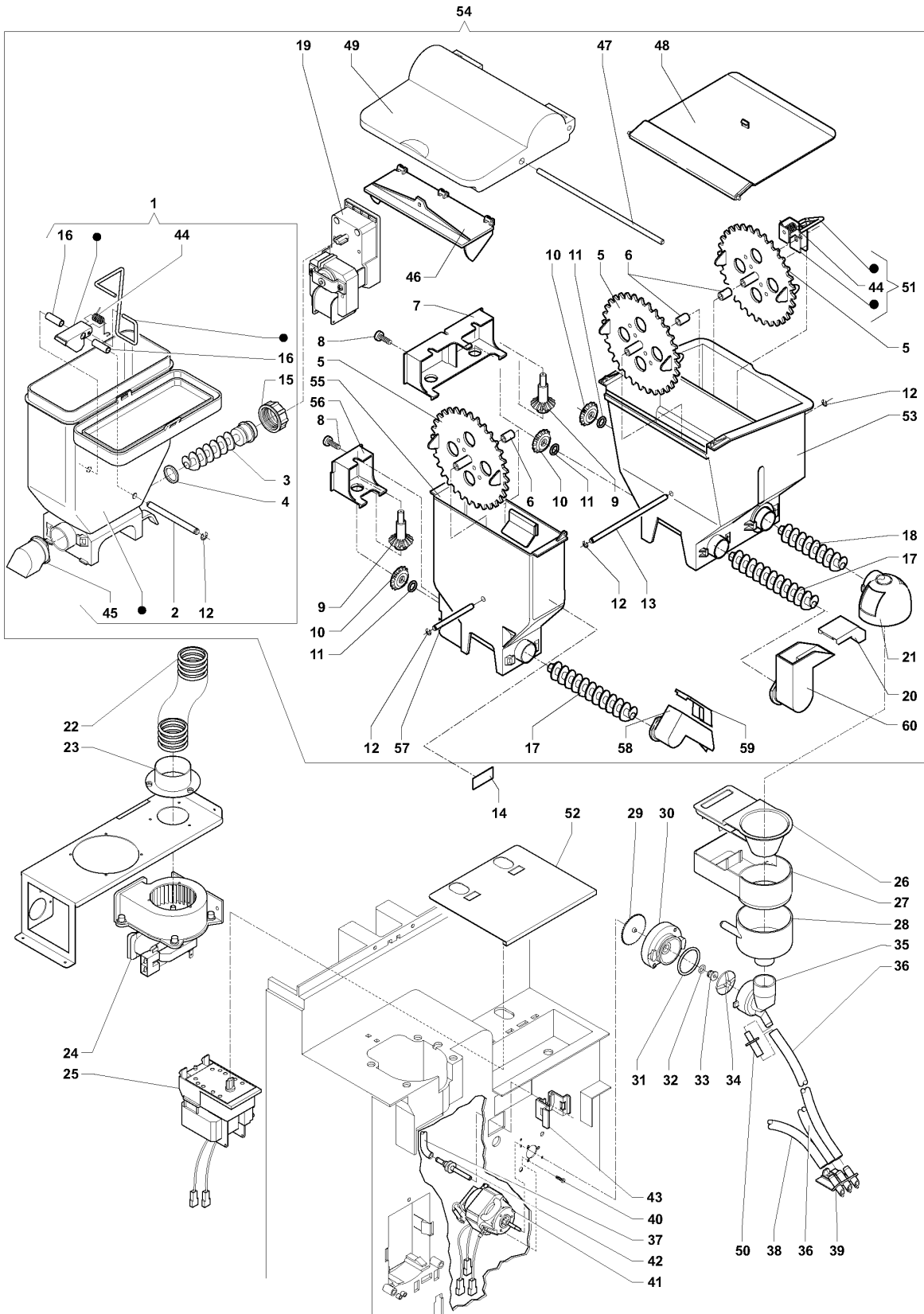


	Code	Description	Notes
1	0V2553	SUGAR-DISPENSER	
2	0V2561	SUGAR CONTAINER ASSEMBLY	
3	095829	GASKET O-RING	
4	0V2562	SCROLL	
5	095849	CONTAINER RING NUT	
6	098939	ROUND STRAIGHT PIPETTE	
7	099609	COVER	
8	096904	ELASTIC PLUG 1.5X8	
9	099397	MOTOR REDUCTOR 6G/1 MIN.	
10	0V2949	SUGAR SPOUT PIN	
11	096355	MICRO SWITCH -UL -	
12	099606	CAM	
13	099604	ROLLER	
14	099616	SPRING	
15	099605	ROD	
16	099721	SUGAR NOZZLE	
17	094159	FIXING PLUG	
18	0V2557	SUGAR PIPE	
19	098719	PVC PIPE 14X19(A METER)	
20	098853	PASS-WIRE	
21	0V2560	SLIDE LID	
22	099602	SPRING	
23	091959	BENZING COLLAR DIAM MM4	
24	099610	LEVER	
25	098352	STIRRING BARS EJECTING PIN	
26	0V2556	COLUMN RELEASING CASE	
27	0V2558	STIRRER ROD	
28	0V2554	MOTORS SUPPORT	
29	090203	STIRRER BAR WEIGHT L=95	
30	0V2555	MOTORDOSER 52 G/M	
31	0V2559	COVER	
32	099720	STIRRER BAR WEIGHT L=105	
33	252034	115 MM STIRRER BAR WEIGHT	



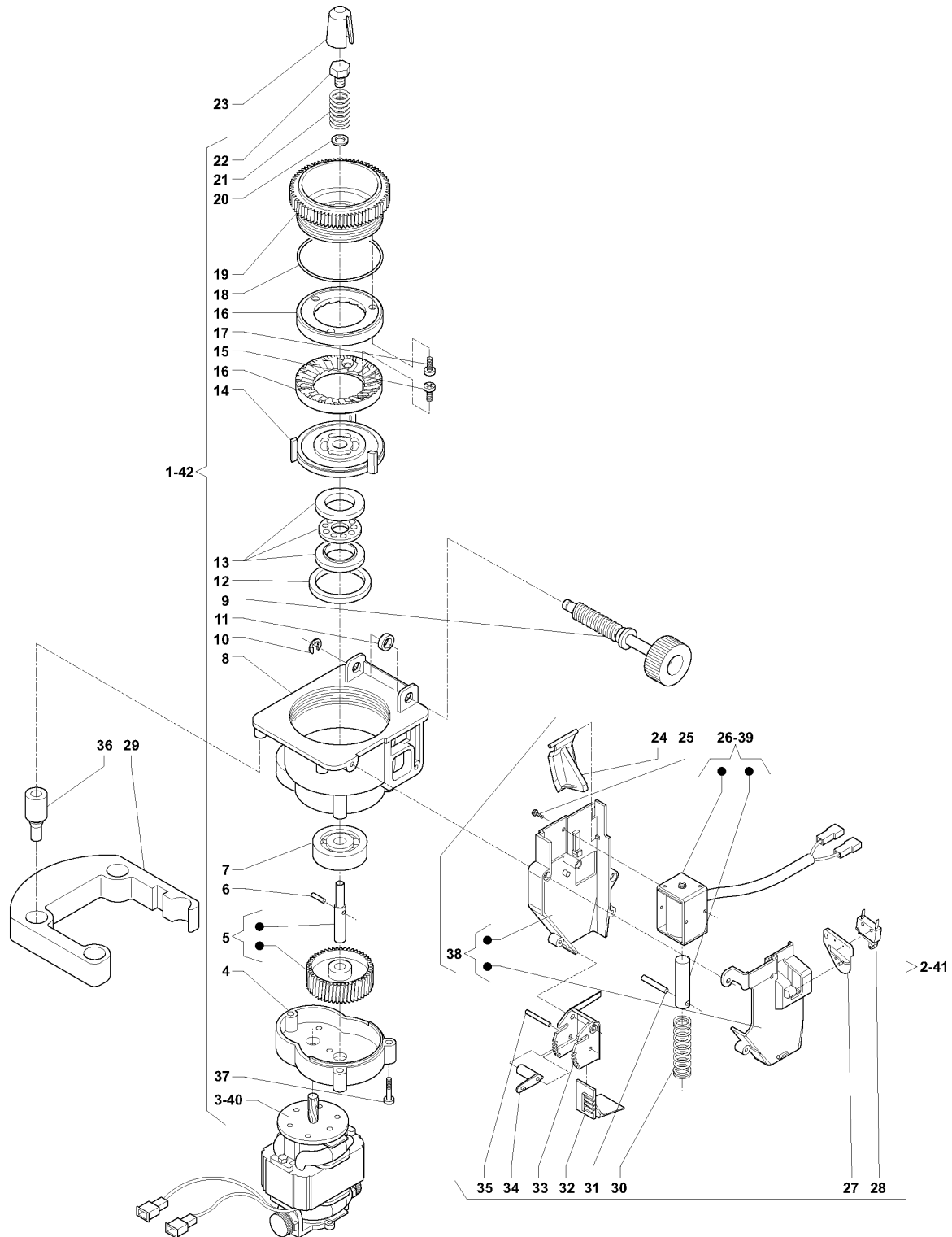
	Code	Description	Notes
1	251742	COMPLET CONTAINER ES+3IN-GREY-	
2	251675	LITTLE CONTAINER COVER	
3	091959	BENZING COLLAR DIAM MM4	
4	251680	PIN	
5	0V2527	PINION	
6	255034	PLAIN TIP SELF-TAPPING SCREW 4X12	
7	251677	PINION SUPPORT	
8	0V2525	GEAR	
9	0V2524	LONG SCROLL	
10	252662	GASKET O-RING 109-NSF-	
11	095936	WHEEL	
12	099803	LONG CONVEYOR COVER	
13	251565	POWDER RIGHT CONVEYOR	
14	099494	CANISTER-BEATER	
15	099442	SPRING	
16	0V2529	SPACER	
17	251674	CONTAINER COVER	
18	251258	CONTAINER FOR INSTANT PRODUCTS	
19	0V2523	SHORT SCROLL	
20	0V1536	ROUND SPHERICAL CONTAINER OPENING	
21	0V2076	SHORT CONVEYOR COVER	
22	0V2070	RH POWDER FEEDER	
23	0V2528	PIN FOR WHEEL	
24	0V2526	PINION SUPPORT	
25	0V2532	COFFEE CONTAINER LID	
26	251676	COFFEE CHAMBER	
27	098630	ROLL-UP FOR CONTAINER	
28	097502	NAMEPLATE GROUP CONTAINER INSTANT P	
29	0V3599	SPACE COVERING	
30	0V3724	BRACKET COVER	
31	099889	DISK	
32	097911	FLANGE FOR MIXER	
33	0V1534	DRAWER COVER	
34	0V1537	SUCTION DRAWER	
35	0V1535	WATER FUNNEL	
36	0V2519	CONVEYOR FOR MIXER	
37	097685	SILICONE HOSE BROWN 7.5X12	
38	0V2702	COIL SUPPORT FOR TEA	
39	097510	SILICONE HOSE 5X9 BROWN	
40	0V2516	DISPENSE NOZZLE ASSEMBLY	
41	097511	SILICONE HOSE 6X9 BROWN	
42	251688	PIPE D.20 (A METER)	
43	097914	COFFEE CHOKE	
44	097916	MIXER VENTILATOR	
45	097917	BUSH SEAL	
46	099880	GASKET	

	Code	Description	Notes
47	094540	GASKET O-RING 3125	
48	0V2518	NOZZLE SUPPORT	
49	255046	SCREW M3.5X8	
50	251678	COOLING-FAN FLANGE D.29	
51	099329	FUNNEL NOZZLE D. 3.4	
52	255411	MOTORMIXER	
53	0V2517	MOTORDOSER 78 G/M	
54	098583	ELECTROVENTILATOR	
55	252762	CONTAINER ES+3IN (BLUE 5010)	
56	0V3716	MIXER PLUG	
57	251747	COMPLET CONTAINER ES+3IN-BLACK	
58	0V3312	COFFEE CANISTER COVERING -BLACK	
59	097512	SILICONE HOSE 6X12 BROWN	
60	252098	COFFEE CONTAINER	
61	099931	NOZZLE D.5	
62	0V2072	LH POWDER FEEDER L=38	
63	251685	CONTAINER ES+3IN (LEFT CONV.)	
64	252121	INSTANT CANISTER WITH BEATER	
65	252119	CONTAINER ES+3IN-BLACK-LEFT CONVEYOR	
66	250915	BAFFLE NOZZLE	
67	0V3719	SQUARE SPHERICAL OPENING	
68	252120	CONTAINER ES+3IN-SQUARE OPENING	
69	252160	CONTAINER ES+3IN-BLACK-BEATER	
70	252158	BEATER	
71	252157	CONTAINER DEFLECTOR	
72	252161	CONTAINER CASING	
73	252283	COFFEE CANISTER COVERING(RE D 3002)	
74	252293	COMPLET CONTAINER ES+3IN(RE D 3002)	
75	252301	CONTAINER ES+3IN-2 BEATER	
76	0V2809	94 G/M 60 HZ MOTOR-DRIVEN DOSING UNIT	
77	252691	BLACK CONT.ES+3IN-2 BEATERS	
78	250051	COFFEE CONTAINER LID -RED 3020	
79	252655	CONTAINER ES+3IN (RED 3020)	
80	252756	COFFEE CONTAINER LID (BLUE)	
81	254827	COFFEE CONTAINER LID -TOPCUP-	
82	254831	COFFEE/INSTANT CONTAINER -TOPCUP-	
83	253404	INSTANT CANISTER	

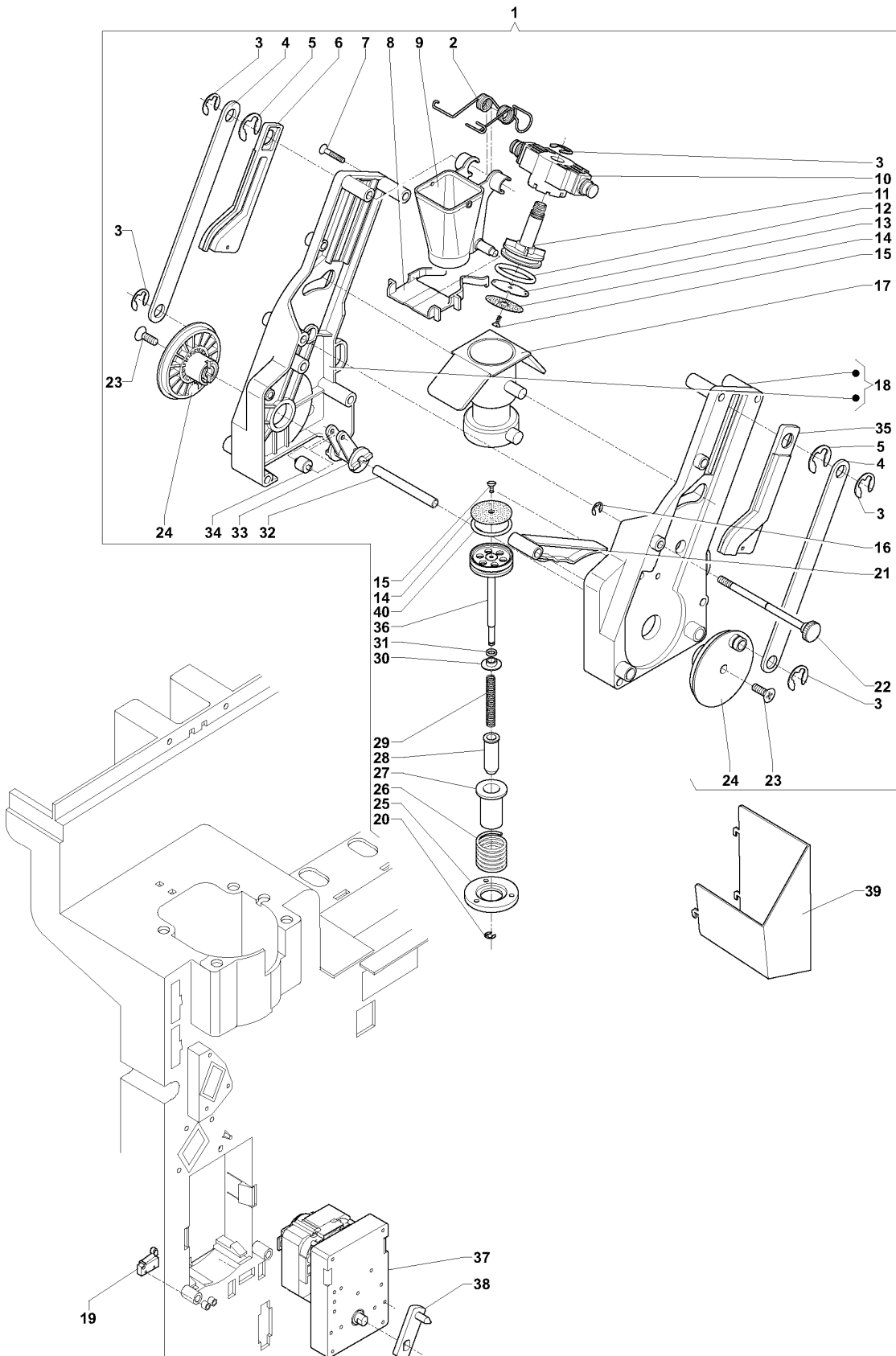


	Code	Description	Notes
1	250245	TEA-CANISTER COMPLETE	
2	0V1962	PIN FOR WHEEL	
3	0V2562	SCROLL	
4	095829	GASKET O-RING	
5	095936	WHEEL	
6	0V2529	SPACER	
7	0V2526	PINION SUPPORT	
8	255034	PLAIN TIP SELF-TAPPING SCREW 4X12	
9	0V2527	PINION	
10	0V2525	GEAR	
11	252662	GASKET O-RING 109-NSF-	
12	091959	BENZING COLLAR DIAM MM4	
13	0V2528	PIN FOR WHEEL	
14	097502	NAMEPLATE GROUP CONTAINER INSTANT P	
15	095849	CONTAINER RING NUT	
16	250031	SPACER	
17	0V2524	LONG SCROLL	
18	0V2523	SHORT SCROLL	
19	0V2555	MOTORDOSER 52 G/M	
20	0V2076	SHORT CONVEYOR COVER	
21	0V1536	ROUND SPHERICAL CONTAINER OPENING	
22	251688	PIPE D.20 (A METER)	
23	251678	COOLING-FAN FLANGE D.29	
24	098583	ELECTROVENTILATOR	
25	0V2517	MOTORDOSER 78 G/M	
26	0V1534	DRAWER COVER	
27	0V1537	SUCTION DRAWER	
28	0V1535	WATER FUNNEL	
29	099889	DISK	
30	097911	FLANGE FOR MIXER	
31	094540	GASKET O-RING 3125	
32	099880	GASKET	
33	097917	BUSH SEAL	
34	097916	MIXER VENTILATOR	
35	0V2519	CONVEYOR FOR MIXER	
36	097685	SILICONE HOSE BROWN 7.5X12	
37	097510	SILICONE HOSE 5X9 BROWN	
38	097511	SILICONE HOSE 6X9 BROWN	
39	0V2516	DISPENSE NOZZLE ASSEMBLY	
40	255046	SCREW M3.5X8	
41	255411	MOTORMIXER	
42	099329	FUNNEL NOZZLE D. 3.4	
43	0V2518	NOZZLE SUPPORT	
44	099442	SPRING	
45	250030	TEA SUPPLY PIPE	
46	251675	LITTLE CONTAINER COVER	

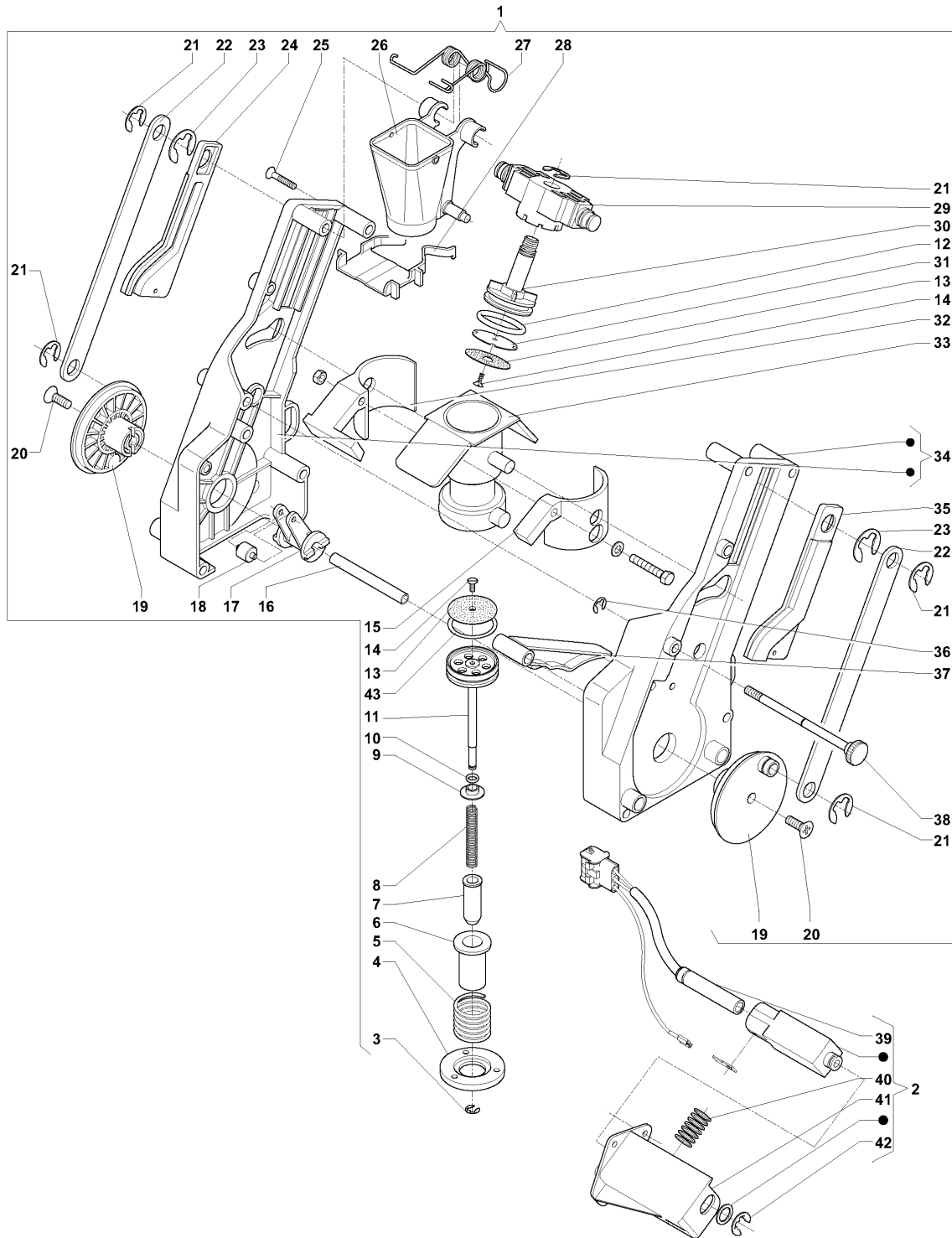
	Code	Description	Notes
47	0V2597	PIN	
48	251674	CONTAINER COVER	
49	0V2979	LEFT COVER (BLACK)	
50	097914	COFFEE CHOKE	
51	099494	CANISTER-BEATER	
52	0V3599	SPACE COVERING	
53	251258	CONTAINER FOR INSTANT PRODUCTS	
54	252575	CONTAINERS ASSEMBLY	
55	252161	CONTAINER CASING	
56	251677	PINION SUPPORT	
57	251680	PIN	
58	251565	POWDER RIGHT CONVEYOR	
59	099803	LONG CONVEYOR COVER	
60	0V2070	RH POWDER FEEDER	



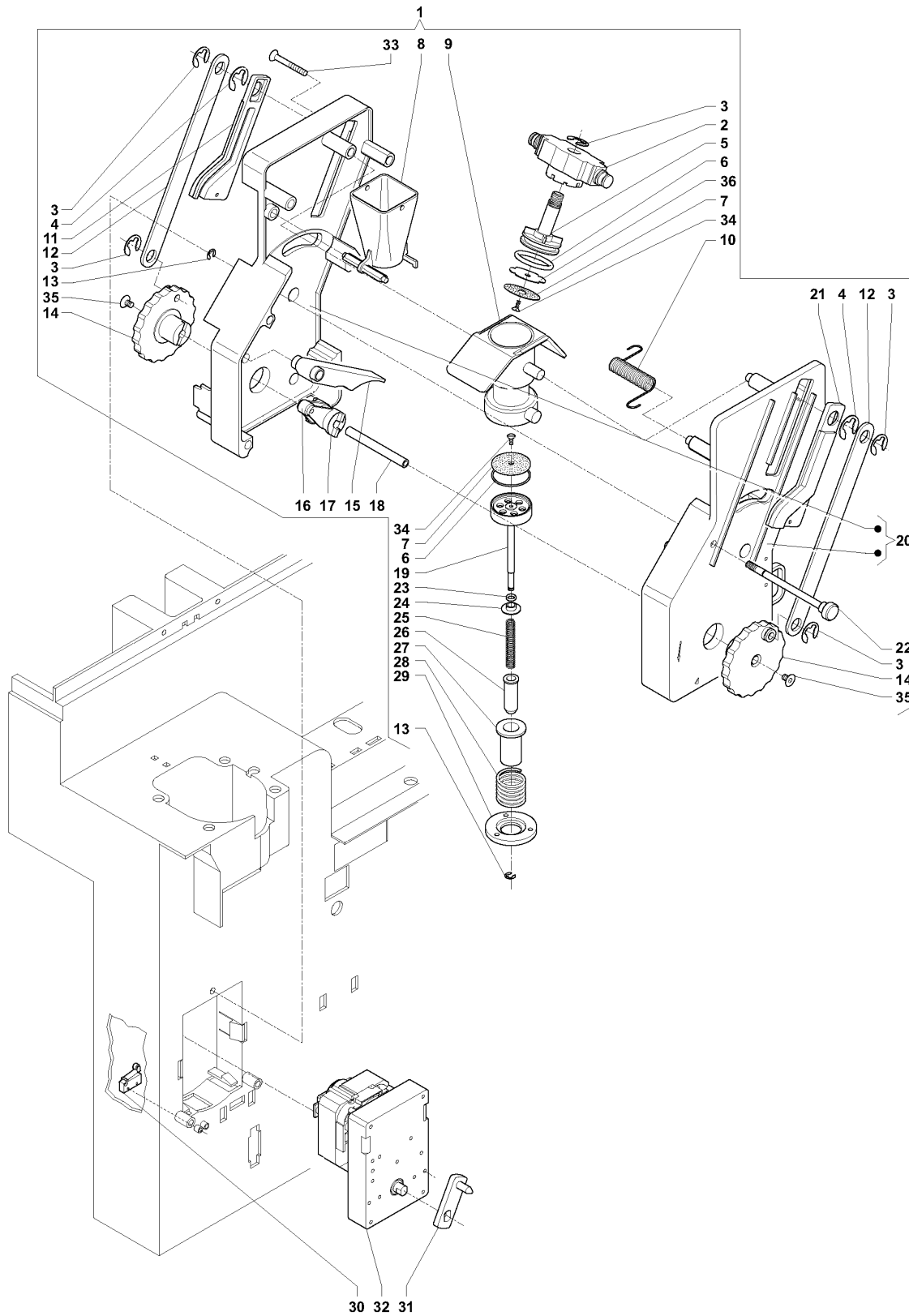
	Code	Description	Notes
1	099336	GRINDER	
2	099337	COFFEE DOSER	
3	099732	GRINDER MOTOR	
4	099468	SUPPORT	
5	099470	SHAFT WHEEL	
6	098293	ELASTIC PLUG	
7	095803	RADIAL BEARING	
8	099469	CAP	
9	099474	REGULATION SCREW	
10	093171	OUTER FIXING COLLAR DIAM MM6	
11	099457	WASHER	
12	093271	COFFEE JUNK RING	
13	093187	THRUST BEARING	
14	095802	GRINDER HOLDER IMPELLER	
15	255032	TREFOIL SCREW M4X10	
16	095840	GRINDER	
17	255033	SELF-TAPPING SCREW 4X10	
18	095805	GASKET O-RING	
19	099473	GRINDER HOLDER	
20	096988	WASHER	
21	099471	SPRING	
22	099472	LEFT SCREW	
23	0V2520	SCREW PROTECTION	
24	099475	ACTUATOR	
25	092657	CLOSS SLOT SCREW 3X6TC	
26	098716	ELECTROMAGNET 220V	
27	0V2082	ADAPTER PLATE	
28	0V2131	BURGESS MICRO-SWITCH	
29	0V2628	INSULATOR	
30	098696	SPRING DOSER ELECTROMAGNET	
31	093832	ROD PIVOT	
32	098643	RULE COFFEE-DOSES	
33	098642	SHUTTER COFFEE-DOSER	
34	098644	LEVER FOR RULE	
35	098822	PIN FOR LEVER	
36	099484	LITTLE RUBBER	
37	255031	SELF-TAPPING SCREW 4.2X26	
38	251128	COFFEE DOSER-BODY	
39	098716	ELECTROMAGNET 220V	
40	0V0451	GRINDER MOTOR 60 HZ	
41	099337	COFFEE DOSER	
42	0V0448	GRINDER 60 HZ	



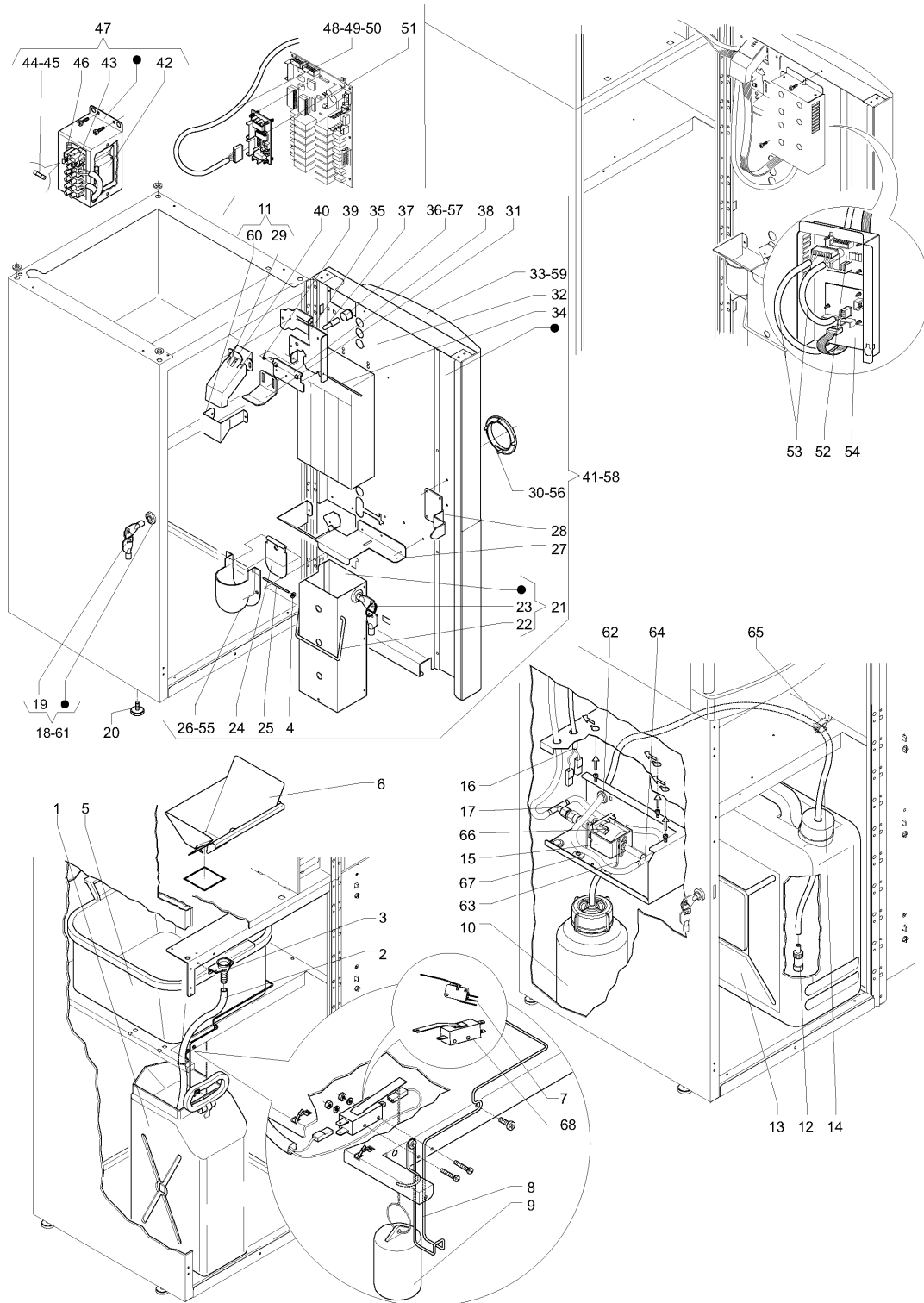
	Code	Description	Notes
1	251687	COFFEE-GROUP Z3000	
2	252277	SCRAPER SPRING	
3	092717	FIXING COLLAR DIAM MM10	
4	098565	TRACE FOR PISTON COMMAND	
5	096569	FIXING COLLAR DIAM 12	
6	098571	REAR SLEDGE	
7	255031	SELF-TAPPING SCREW 4.2X26	
8	251740	COFFEE SCRAPER	
9	251739	Z3000 COFFEE CHUTE	
10	098568	CROSS-BAR	
11	098577	UPPER PISTON	
12	093167	SILICONE GASKET OR 4118 .	
13	0V1789	WATER DEFLECTOR	
14	098687	COFFEE FILTER	
15	255047	SCREW M3X10 -INOX-	
16	091287	OUTER FIXING COLLAR	
17	0V1715	BREWING CHAMBER W/PLUG	
18	251101	RH-LH SUPPORT	
19	096355	MICRO SWITCH -UL -	
20	098818	STOPPING RING D.4	
21	098575	OSCILLATING LEVER	
22	252020	TIEROD WITH KNURLED NUT	
23	0V3889	SCREW 6X14	
24	098573	CRANK	
25	098569	FLANGE FOR SPRING	
26	098689	PREINFUSION SPRING	
27	098567	LID FOR SPRING	
28	098691	LOWER PISTON GUIDE	
29	098688	PISTON RETURN SPRING	
30	098690	CONTROL BUSH	
31	090421	GASKET OR 2025	
32	098693	ROD CRANK BLOCKING	
33	098574	ROTATING LEVER	
34	098692	ROTATING LEVER ROLL	
35	098572	FRONT SLEDGE	
36	099490	LOWER PISTON	
37	098708	MOTOREDUCER	
38	098763	CRANK WITH PIN	
39	251679	COFFEE-GROUP CHUTE	
40	253411	GASKET O-RING 4112	



	Code	Description	Notes
1	252506	Z3000 WITH HEATER(OPEN DURING STAND-BY POSITION)	
2	0V1783	Z2000M HEATER WITH SUPPORT	
3	098818	STOPPING RING D.4	
4	098569	FLANGE FOR SPRING	
5	098689	PREINFUSION SPRING	
6	098567	LID FOR SPRING	
7	098691	LOWER PISTON GUIDE	
8	098688	PISTON RETURN SPRING	
9	098690	CONTROL BUSH	
10	090421	GASKET OR 2025	
11	099490	LOWER PISTON	
12	093167	SILICONE GASKET OR 4118 .	
13	098687	COFFEE FILTER	
14	255047	SCREW M3X10 -INOX-	
15	0V1784	FRONT PANEL	
16	098693	ROD CRANK BLOCKING	
17	098574	ROTATING LEVER	
18	098692	ROTATING LEVER ROLL	
19	098573	CRANK	
20	0V3889	SCREW 6X14	
21	092717	FIXING COLLAR DIAM MM10	
22	098565	TRACE FOR PISTON COMMAND	
23	096569	FIXING COLLAR DIAM 12	
24	098571	REAR SLEDGE	
25	255031	SELF-TAPPING SCREW 4.2X26	
26	251739	Z3000 COFFEE CHUTE	
27	252277	SCRAPER SPRING	
28	251740	COFFEE SCRAPER	
29	098568	CROSS-BAR	
30	098577	UPPER PISTON	
31	0V1789	WATER DEFLECTOR	
32	0V1785	REAR PANEL	
33	0V1715	BREWING CHAMBER W/PLUG	
34	251101	RH-LH SUPPORT	
35	098572	FRONT SLEDGE	
36	091287	OUTER FIXING COLLAR	
37	098575	OSCILLATING LEVER	
38	252020	TIEROD WITH KNURLED NUT	
39	0V1786	25 WATT 110/265 V RESISTOR	
40	0V1788	CONTACT SPRING	
41	0V1787	SUPPORT	
42	987948	LOCKING WASHER	
43	253411	GASKET O-RING 4112	

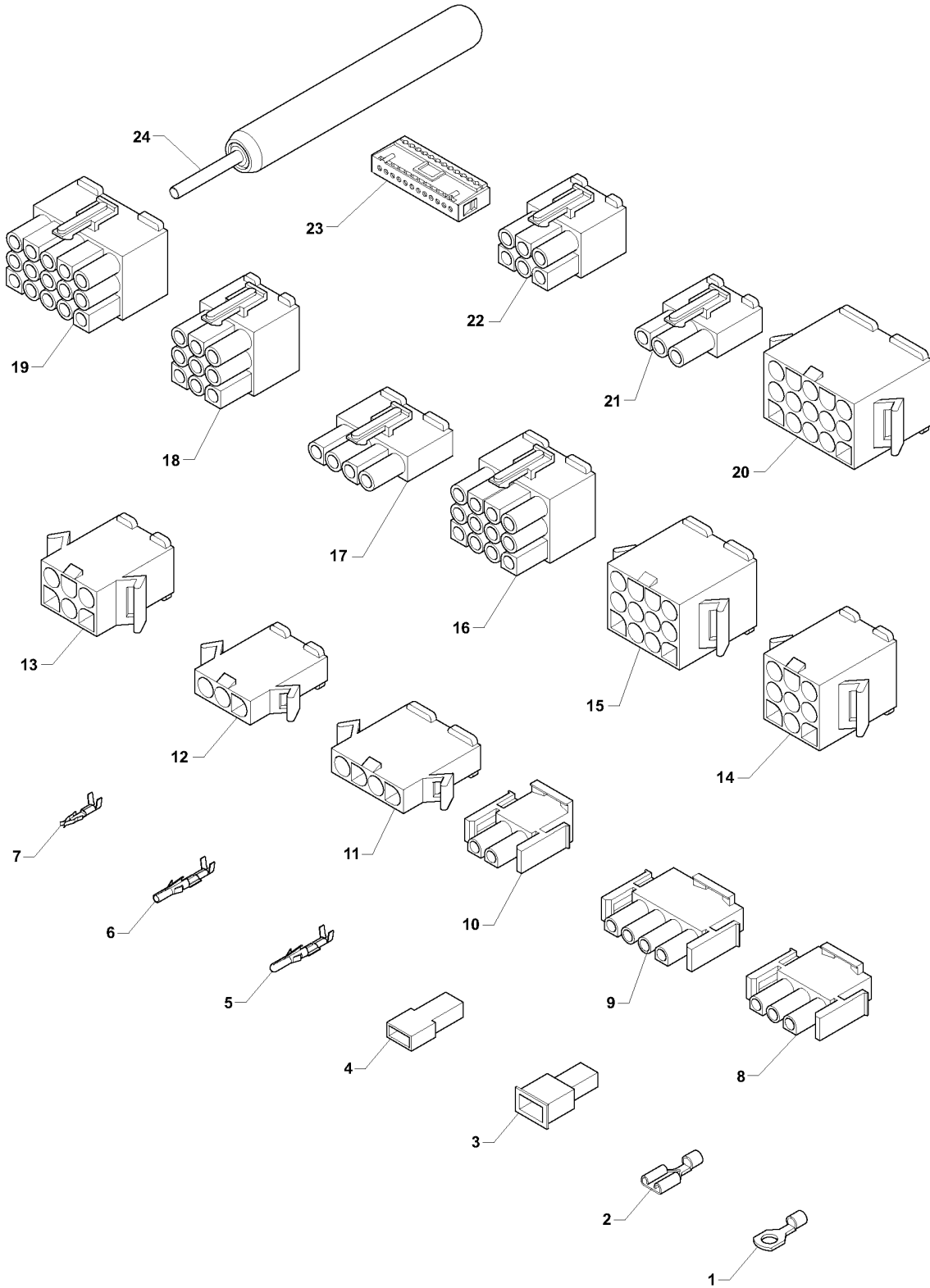


	Code	Description	Notes
1	252435	Z2000 TEA UNIT -TURKISH-	
2	098568	CROSS-BAR	
3	092717	FIXING COLLAR DIAM MM10	
4	096569	FIXING COLLAR DIAM 12	
5	098577	UPPER PISTON	
6	093167	SILICONE GASKET OR 4118 .	
7	098687	COFFEE FILTER	
8	098570	COFFEE CHUTE	
9	0V1715	BREWING CHAMBER W/PLUG	
10	098920	SCRAPER	
11	098571	REAR SLEDGE	
12	098565	TRACE FOR PISTON COMMAND	
13	098818	STOPPING RING D.4	
14	098573	CRANK	
15	098575	OSCILLATING LEVER	
16	098692	ROTATING LEVER ROLL	
17	098574	ROTATING LEVER	
18	098693	ROD CRANK BLOCKING	
19	099490	LOWER PISTON	
20	0V1714	FRONT AND REAR SHOULDER	
21	098572	FRONT SLEDGE	
22	098694	ROD WITH KNURL	
23	090421	GASKET OR 2025	
24	098690	CONTROL BUSH	
25	098688	PISTON RETURN SPRING	
26	098691	LOWER PISTON GUIDE	
27	098567	LID FOR SPRING	
28	098689	PREINFUSION SPRING	
29	098569	FLANGE FOR SPRING	
30	096355	MICRO SWITCH -UL -	
31	098763	CRANK WITH PIN	
32	098708	MOTOREDUCER	
33	255031	SELF-TAPPING SCREW 4.2X26	
34	255047	SCREW M3X10 -INOX-	
35	0V3889	SCREW 6X14	
36	0V1789	WATER DEFLECTOR	



	Code	Description	Notes
1	0V2656	LIQUID WASTE COLLECTION CONTAINER	
2	098800	TRANSPARENT HOSE (PER METER)	
3	250468	TRAY FUNNEL	
4	093754	BENZING COLLAR QUICKBLOCK BQ DIAM MM	
5	0V2648	10 LITER TRAY	
6	0V2655	LIQUID WASTE DUCT	
7	252585	MICROSWITCH	
8	0V2645	LIQUID WASTE CONTAINER STOP	
9	094294	FLOAT	
10	093096	DEPURATOR COMPLETE	
11	0V3425	COIN CHUTE + EXTENSION	
12	091536	BOTTOM VALVE	
13	099523	WATER CANISTER 20L	
14	097512	SILICONE HOSE 6X12 BROWN	
15	099893	PUMP	
16	0V2653	SELF-FEEDING PUMP WIRING	
17	099528	BY-PASS PUMP (2 BAR)	
18	098303	LOCK TYPE 'N'	
19	098463	PASSPARTOUT -ROUND LOCK-	
20	0V2566	FOOT	
21	0V2658	COIN BOX	
22	0V2644	COINBOX HANDLE	
23	099319	LOCK	
24	093890	MONEY RETURN SHUTTER	
25	0V0983	SLIDER PIN	
26	0V3372	COIN RETURN DUCT	
27	0V3370	MONEY-BOX LID	
28	0V2537	BOLT HOOK	
29	0V2084	LOWER COIN SLOT CHUTE	
30	0V2073	DARK GREY COIN RETURN FRAME	
31	0V2643	COIN RETURN DEV. THRUST LEVER	
32	0V3371	COIN MECHANISM SUPPORT	
33	0V2570	CAP FOR DOOR CABINET	
34	0V2646	COIN RETURN DEVICE PIN	
35	0V2639	COIN RETURN CHUTE SUPPORT	
36	0V2071	COIN RETURN BUTTON	
37	0V2647	COIN RETURN LEVER ACTUATOR	
38	0V2642	COIN RETURN CONTROL LEVER	
39	099356	SPRING FOR CHANGE	
40	099357	UPPER SLIDE	
41	0V2659	PAYMENT SYSTEM DOOR	
42	095708	TRANSFORMER 220/24/28V 50W	
43	097241	3-POLE TERMINAL BOARD W/CARRIER	
44	097097	FUSE 2 AMP.5X20 DELAYED ACT	
45	0V0457	FUSE 400MA	
46	097242	SUB-TERMINAL BOARD	

	Code	Description	Notes
47	0V3831	ELECTRICAL PANEL	
48	0V2652	EXECUTIVE PAYMENT SYSTEM WIRING	
49	0V2651	MDB PAYMENT SYSTEM WIRING	
50	0V2650	BDV PAYMENT SYSTEM WIRING	
51	0V2750	INTERFACE CARD	
52	098943	STABILIZER BOARD 24V	
53	0V2654	24 VOLT VALIDATOR WIRING	
54	098936	COIN-MECH.-BOARD EXECUTIVE	
55	0V3373	COIN RETURN DUCT -BLACK-	
56	0V2988	COIN RETURN MOLDING (BLACK)	
57	0V2989	MONEY RETURN BUTTON (BLACK)	
58	0V3001	DOOR FOR PAYMENT SYSTEMS (BLACK)	
59	0V2984	CABINET DOOR TOP (BLACK)	
60	0V3341	COIN CHUTE EXTENSION	
61	099043	LOCK TYPE'N'PREFER	
62	090021	WHIPPING DIAM 12.9 MM	
63	098697	PUMP SUPPORT	
64	094231	UNION T-SHAPE	
65	098459	WIRE-CLIP	
66	098815	90 DEGREES THERMIC PROTECTION	
67	093091	PUMP DAMPER	
68	093308	MICROSWITCH SERIE RLL/D	



	Code	Description	Notes
1	090957	EYELET TERMINAL	
2	090959	FASTON W/O TONGUE	
3	091192	FASTON COVER	
4	090247	FEMALE FASTON COVER	
5	095955	TERMINAL MALE	
6	096136	TERMINAL FEMALE	
7	094405	TERMINAL FEMALE 2.5	
8	094954	FEMALE HOLDER CONNECTOR 3-WAYS	
9	098062	4-WAY CONNECTOR MATE-N-LOK AMP	
10	094955	FEMALE HOLDER CONNECTOR 2-WAYS	
11	0V0809	4-PIN CONNECTOR/P MOLEX 3191	
12	0V0808	3-PIN CONNECTOR/P MOLEX 3191	
13	0V0810	6-PIN CONNECTOR/P MOLEX 3191	
14	0V0811	9-PIN CONNECTOR/P MOLEX 3191	
15	0V0812	12-PIN CONNECTOR/P MOLEX 3191	
16	0V0818	12-PIN CONNECTOR/P MOLEX 3191	
17	0V0815	4-PIN CONNECTOR/P MOLEX 3191	
18	0V0817	9-PIN CONNECTOR/P MOLEX 3191	
19	0V0819	15-PIN CONNECTOR/P MOLEX 3191	
20	0V0813	15-PIN CONNECTOR/P MOLEX 3191	
21	0V0814	3-PIN CONNECTOR/P MOLEX 3191	
22	0V0816	6-PIN CONNECTOR/P MOLEX 3191	
23	094961	FEMALE HOLDER CONNECTOR P.I. 12-W	
24	0V0820	MOLEX CONTACT PULLER	