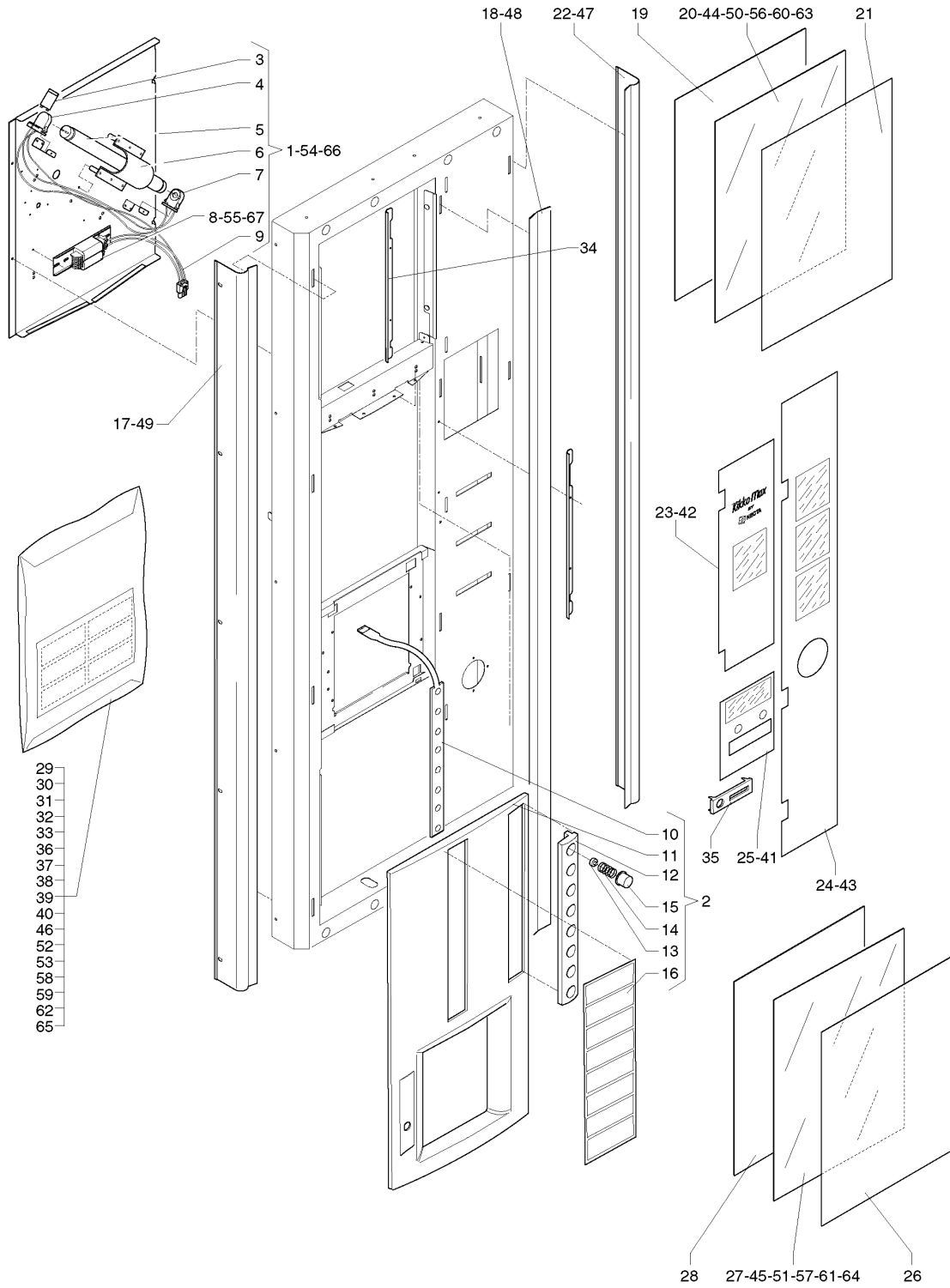


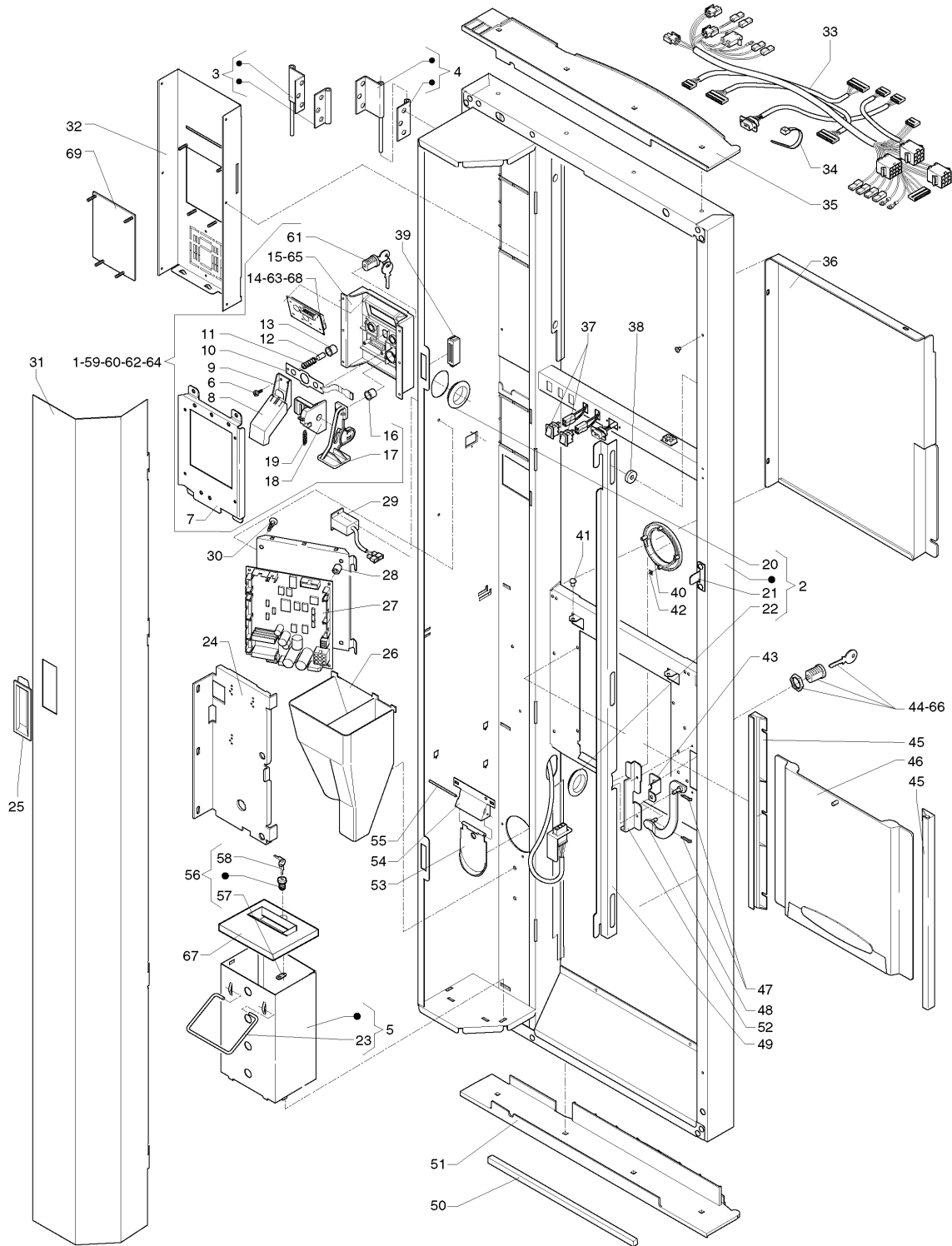
# **KIKKO MAX CAFFE'/TE' ESPRESSO - INSTANT - 220/240V - 50/60HZ**



	<b>Code</b>	<b>Description</b>	<b>Notes</b>
1	252009	ASSEMBLY LAMP PANEL	
2	252007	CONTROL PANEL COMPLETE	
3	091802	STARTER TYPE S10	
4	987958	LAMP-HOLDER W/STARTER-HOLDER	
5	099152	LAMP	
6	0V2468	LAMP PROTECTION	
7	099783	LAMP-HOLDER	
8	251736	BALLAST EEI=B2 230V-50HZ	
9	250175	PANEL LAMP WIRING	
10	252004	MEMBRANE CONTROL PANEL	
11	251986	PUSH-BUTTON-PANEL SUPPORT	
12	251992	BADGE BUTTONS	
13	0V2134	SELECTION BUTTON SPACER	
14	0V2034	SELECTION BUTTON SPRING	
15	251990	PUSH BUTTON	
16	252000	PRODUCT LABELS SUPPORT	
17	251985	LEFT PROFILE	
18	251983	CENTRAL PROFILE	
19	251994	UPPER ELEMENT	
20	251971	UPPER PHOTOGRAPHY	
21	251995	UPPER TRANSPARENT PANEL	
22	251984	RIGHT PROFILE	
23	252001	INTERFACE UPPER LABEL	
24	251999	INTERFACE LOWER LABEL	
25	251998	INTERFACE CENTRAL LABEL	
26	251997	LOWER TRANSPARENT PANEL	
27	251972	LOWER PHOTOGRAPHY	
28	251996	LOWER OPAL-GLASS	
29	250170	NEUTRAL LABELS	
30	252083	PRODUCT LABELS-E/P/MEX-	
31	0V3367	PRICE PLATE - EURO 0.01-	
32	250171	DOOR INSTRUCTION LABEL -D-	
33	251973	PRODUCT PLATE-I/F-	
34	252061	PANEL SQUARE	
35	250480	COIN INSERT PLATE	
36	252153	PRODUCT LABELS -D/CZ-	
37	252154	PRODUCT LABELS -UK/S/AUS/USA-	
38	099242	PRICE-LABEL 'UK' N°2	
39	0V2596	DOOR LABEL-HOLDER (UK)	
40	252371	PRODUCTS LABELS-PL / RUS / RO-	
41	252589	INTERFACE CENTRAL LABEL-SILVER	
42	252588	UPPER DOOR LABEL WITHOUT POCK ET-SILVER-	
43	252590	LOWER DOOR LABEL WITHOUT POCK ET-SILVER-	
44	252586	UPPER PHOTOGRAFIC PANEL- SELECTA-	
45	252587	LOWER PHOTOGRAFIC PANEL- SELECTA-	
46	252689	PRODUCTS LABELS -B/NL-	

---

	<b>Code</b>	<b>Description</b>	<b>Notes</b>
47	252317	RIGHT PROFILE -BLACK-	
48	252316	CENTRAL PROFILE -BLACK-	
49	252318	LEFT PROFILE -BLACK-	
50	252319	UPPER PHOTOG.PANEL-NESTLE'-PL-	
51	252320	LOWER PHOTOG.PANEL-NESTLE'-PL-	
52	253356	PRODUCT LABEL -ISRAEL/GREECE-	
53	253356	PRODUCT LABEL -ISRAEL/GREECE-	
54	253558	ASSEMBLY LAMP PANEL 240V-UK/AUS-	
55	253517	BALLAST EC18 240V 50HZ	
56	254641	UPPER PHOTOGRAFIC PANEL -UVENCO-	
57	254642	LOWER PHOTOGRAPHIC PANEL -UVENCO-	
58	254643	PRODUCT LABELS -UVENCO-	
59	0V2348	DOOR LABEL-HOLDER -F-	
60	253772	UPPER PHOTOGRAPHIC PANEL -ARGETA-	
61	253773	LOWER PHOTOGRAPHIC PANEL -ARGENTA-	
62	253774	PRODUCT LABEL -ARGENTA -ITALIA	
63	253803	UPPER PHOTOGRAPHIC PANEL -LIOMATIC-	
64	253804	LOWER PHOTOGRAPHIC PANEL -LIOMATIC-	
65	253805	PRODUCT PLATE -LIOMATIC-	
66	254680	ASSEMBLY LAMP PANEL -220V-60HZ-	
67	253401	BALLAST 220V-60HZ	

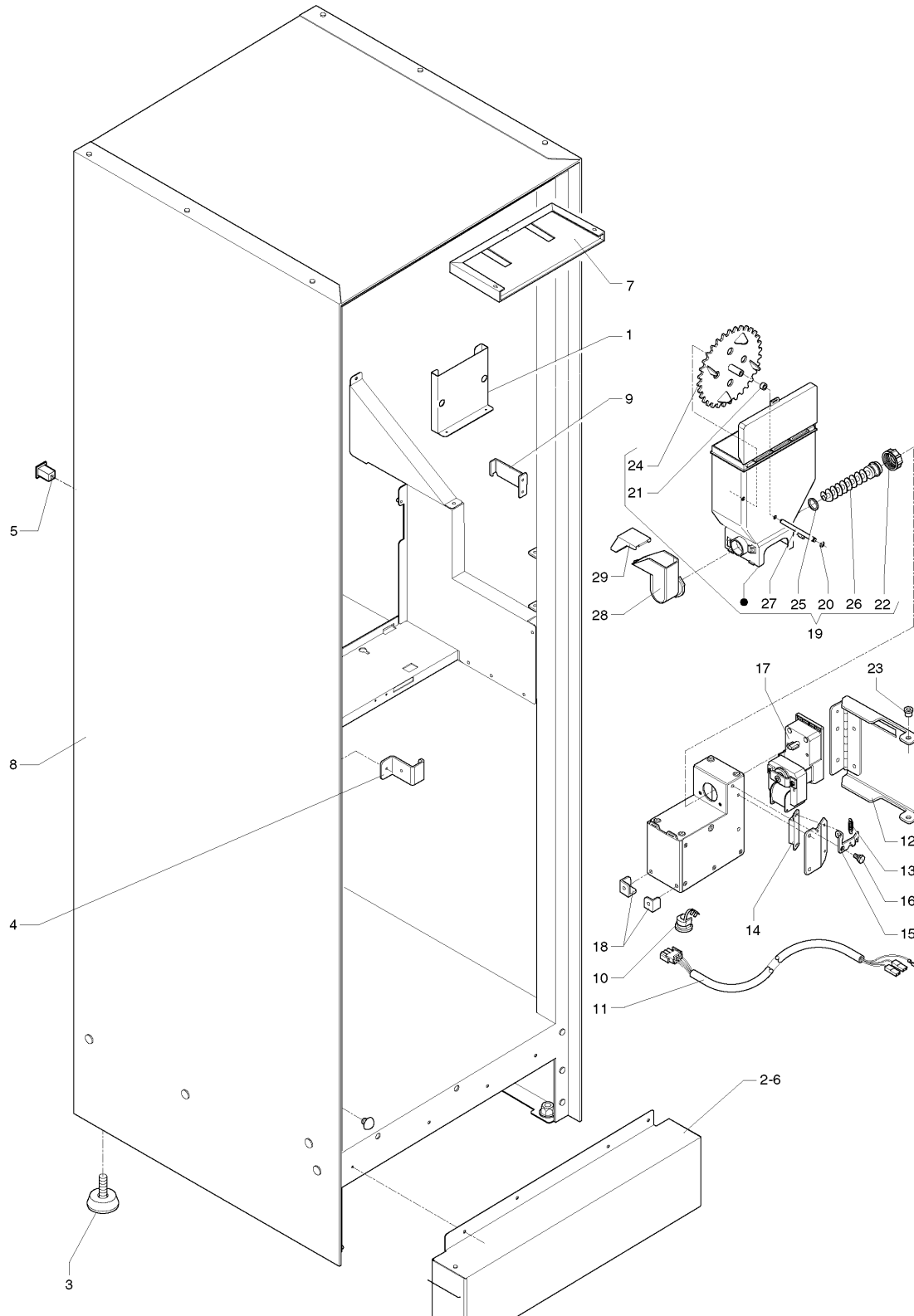


---

	<b>Code</b>	<b>Description</b>	<b>Notes</b>
1	252008	ASSEMBLY COIN INSERT PIECE	
2	252014	DOOR FRAME	
3	0V3675	LEFT DOOR HINGE	
4	0V3674	RIGHT DOOR HINGE	
5	252010	COIN-BOX	
6	255034	PLAIN TIP SELF-TAPPING SCREW 4X12	
7	251976	DISPLAY ELEMENT	
8	251993	COIN INTRODUCTION CHUTE	
9	250502	FIXED COIN INTRODUCTION CHUTE	
10	0V4243	PRESEL. MEMBRANE PUSH-BUTT.PANEL	
11	250158	PUSH-BUTTON SPRING	
12	250159	PUSH-BUTTON ACTUATOR	
13	0V2071	COIN RETURN BUTTON	
14	251658	DISPLAY 4X20 BLUE	
15	252155	DISPLAY SUPPORT	
16	250506	COIN RETURN BUTTON	
17	251987	COIN RETURN LEVER	
18	0V3706	LEVER SUPPORT	
19	987839	RETURN SPRING	
20	093916	WHIPPING OVAL	
21	0V3646	DOOR SWITCH ACTUATOR	
22	098600	CHOCK	
23	0V3128	COIN BOX HANDLE	
24	251975	COIN MECHANISM SUPPORT	
25	0V3659	HANDLE	
26	0V4122	COIN CASHING/RETURN CHUTE	
27	252436	16 BIT CPU BOARD 4MB	
28	0V1431	SPACER	
29	0V2284	SCALER 24 VOLT	
30	097175	CARD SPACER	
31	251974	BOX COVER	
32	252006	PAYMENT UPPER ELEMENT	
33	252003	DOOR WIRING	
34	090148	CLIP	
35	251988	UPPER HEAD	
36	251979	COVERING	
37	097807	BUTTON	
38	0V2047	LOCK ROD SPACER	
39	250182	MAGNET	
40	0V2073	DARK GREY COIN RETURN FRAME	
41	098833	BUFFER	
42	093829	LEVER LOCK CLIP	
43	0V4217	LOCK LATCH BOLT	
44	099905	LOCK RIELDA	
45	0V3703	SLIDER GUIDE	
46	251991	COFFEE EXIT SHUTTER	

---

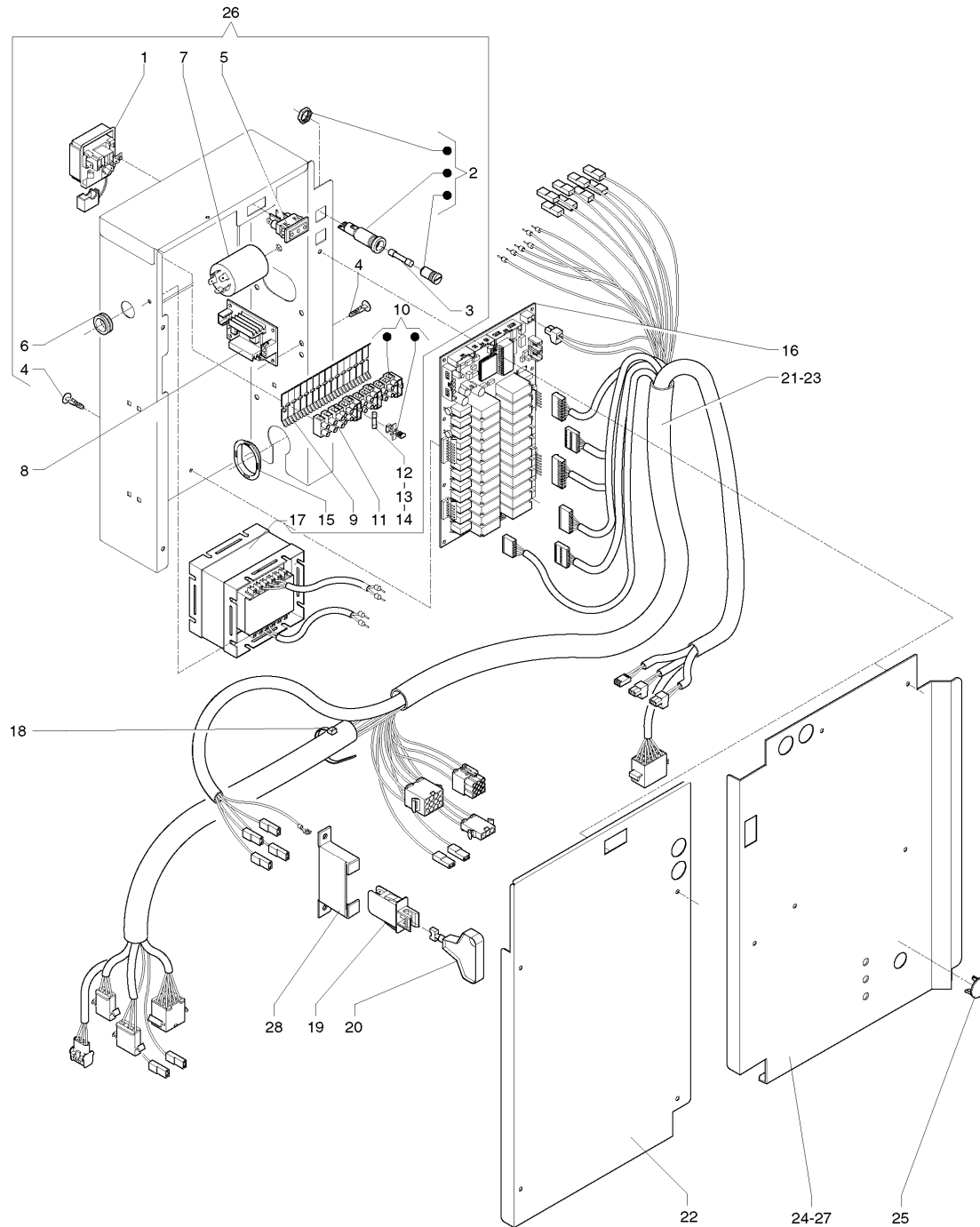
	<b>Code</b>	<b>Description</b>	<b>Notes</b>
47	093342	COTTER 2X15 UNI	
48	252005	BOLT REFERENCE	
49	251980	DOOR LOCKING	
50	251515	ADHESIVE SEAL (A METER)	
51	251989	LOWER HEAD ELEMENT	
52	251981	LOCK PROTECTION	
53	093890	MONEY RETURN SHUTTER	
54	097455	MONEY RETURN SHUTTER BRACKET	
55	093891	SHUTTER PIVOT	
56	090861	CYLINDER LOCK TYPE K	
57	098551	BOLT	
58	092218	PASSE-PARTOUT LOCK K	
59	253584	ASSEMBLY COIN INSERT PIECE-GR-	
60	252156	COIN INSERT PIECE-JUG FACILITIES	
61	099743	FREE VEND SWITCH	
62	252322	COIN INSERT PIECE-CIRILLICO-	
63	252321	DISPLAY 4X20 BLUE-CIRILLICO-	
64	252591	SILVER COIN INSERT -JUG FACILITIES	
65	252592	DISPLAY SUPPORT ASSEMBLY-SILVER	
66	099043	LOCK TYPE'N'PREFER	
67	0V3177	CASHBOX COVER	
68	251958	LCD DISPLAY -GREECE	
69	253712	STOPPER FOR PAYMENT ELEMENT	





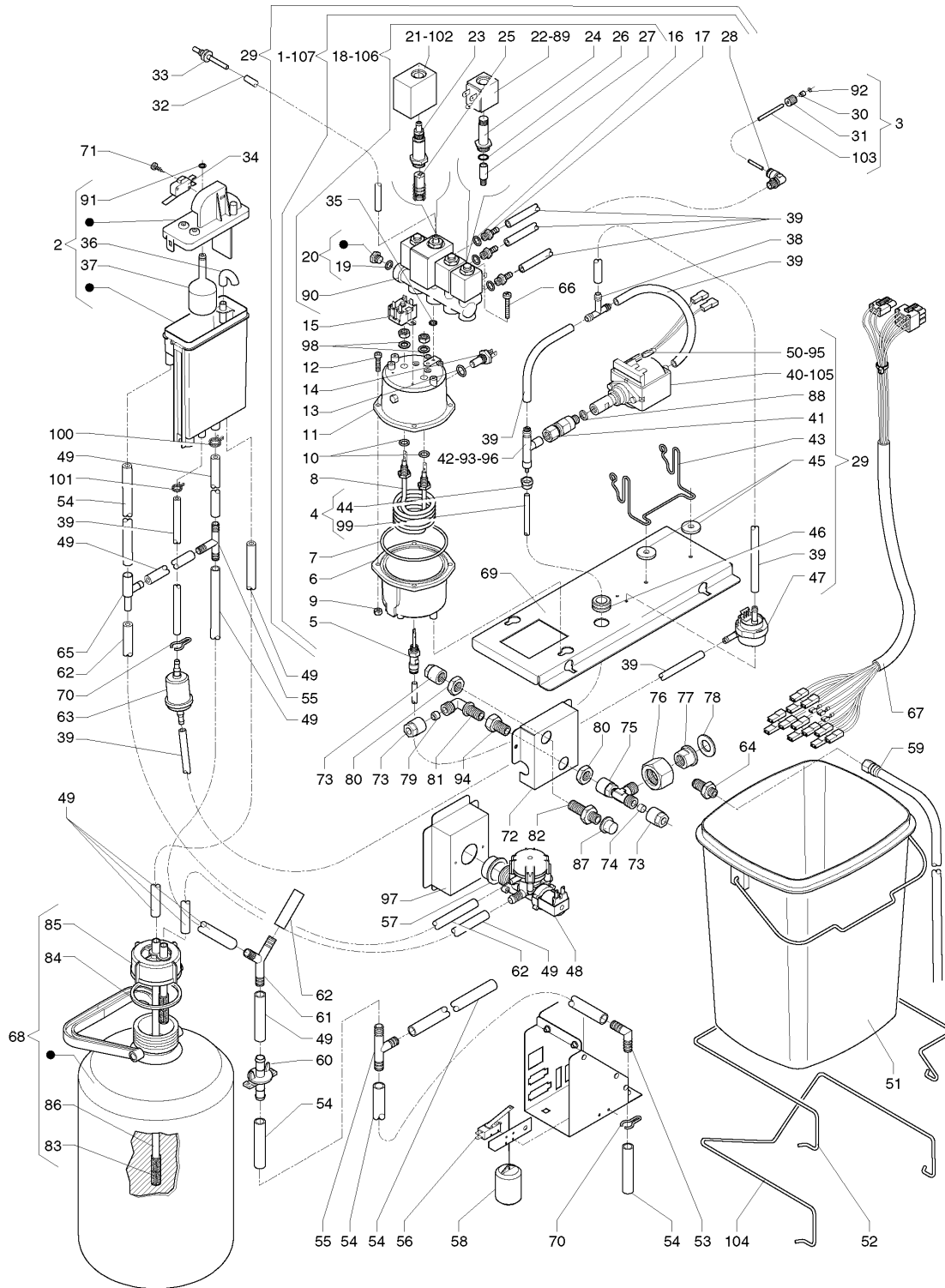
---

	<b>Code</b>	<b>Description</b>	<b>Notes</b>
1	0V3639	PIPE GUIDE	
2	252013	FOOT-COVER	
3	252124	4 FEET KIT	
4	0V3632	LOCK COUPLER BRACKET	
5	094111	INSULATING DOLLY BLOCK	
6	252593	FOOT-COVER-SILVER-	
7	250219	DOCUMENTATION HOLDER	
8	252778	KIKKO MAX CABINET	
9	255563	SHELF PIN STOP	
10	096653	ANTITEAR WHIPPING	
11	255566	"SOLUBLE POWDER CONTAINER WIRING"	
12	255567	HINGED ARM	
13	987839	RETURN SPRING	
14	097508	LOCKING MAGNET	
15	255562	SHELF LOCK LEVER	
16	090615	COLLAR SCREW	
17	0V2555	MOTORDOSER 52 G/M	
18	255598	EDGE PROTECTION	
19	252903	CONTAINER WITH WHEEL	
20	091959	BENZING COLLAR DIAM MM4	
21	098812	SPACER	
22	095849	CONTAINER RING NUT	
23	097606	EFFECTER BUSH	
24	250269	TOOTHED WHEEL	
25	095829	GASKET O-RING	
26	0V2562	SCROLL	
27	0V1962	PIN FOR WHEEL	
28	255564	LH POWDER CONVEYOR	
29	255565	POWDER CONVEYOR LID	



---

	<b>Code</b>	<b>Description</b>	<b>Notes</b>
1	098796	TERMINAL BOARD	
2	0V3201	FUSE HOLDER	
3	095636	FUSE 15 A	
4	097175	CARD SPACER	
5	096921	POWER POINT 10 AMP	
6	093312	WHIPPING DIAM MM 12 ART 46	
7	0V3512	ELECTRICAL NET FILTER	
8	0V2143	BOILER CONTROL BOARD	
9	097242	SUB-TERMINAL BOARD	
10	097241	3-POLE TERMINAL BOARD W/CARRIER	
11	098793	5P TERMINAL BOARD WITH FUSE-HOLDER	
12	096922	FUSE 5X20 800M AMP	
13	096923	FUSE 5X20 1 AMP DELAYED ACTION	
14	097259	FUSE 5X20 4A DELAYED ACTION	
15	093916	WHIPPING OVAL	
16	252437	16 BIT CONTROL BOARD 4MB	
17	0V0014	G49/25-25V TRASFORMER	
18	090148	CLIP	
19	097796	SWITCH	
20	0V1654	SWITCH KEY	
21	252002	GENERAL WIRING	
22	251978	ELECTRICAL PANEL COVER	
23	252018	INSTANT MAIN WIRING	
24	252017	ELECTRICAL PANEL COVER-INSTANT	
25	0V1636	PLUG D.25	
26	251924	ELECTRICAL PANEL-KIKKO-	
27	252532	ELECTRICAL PANEL COVER-TEA VERSION-	
28	254850	SWITCH HOLDER	

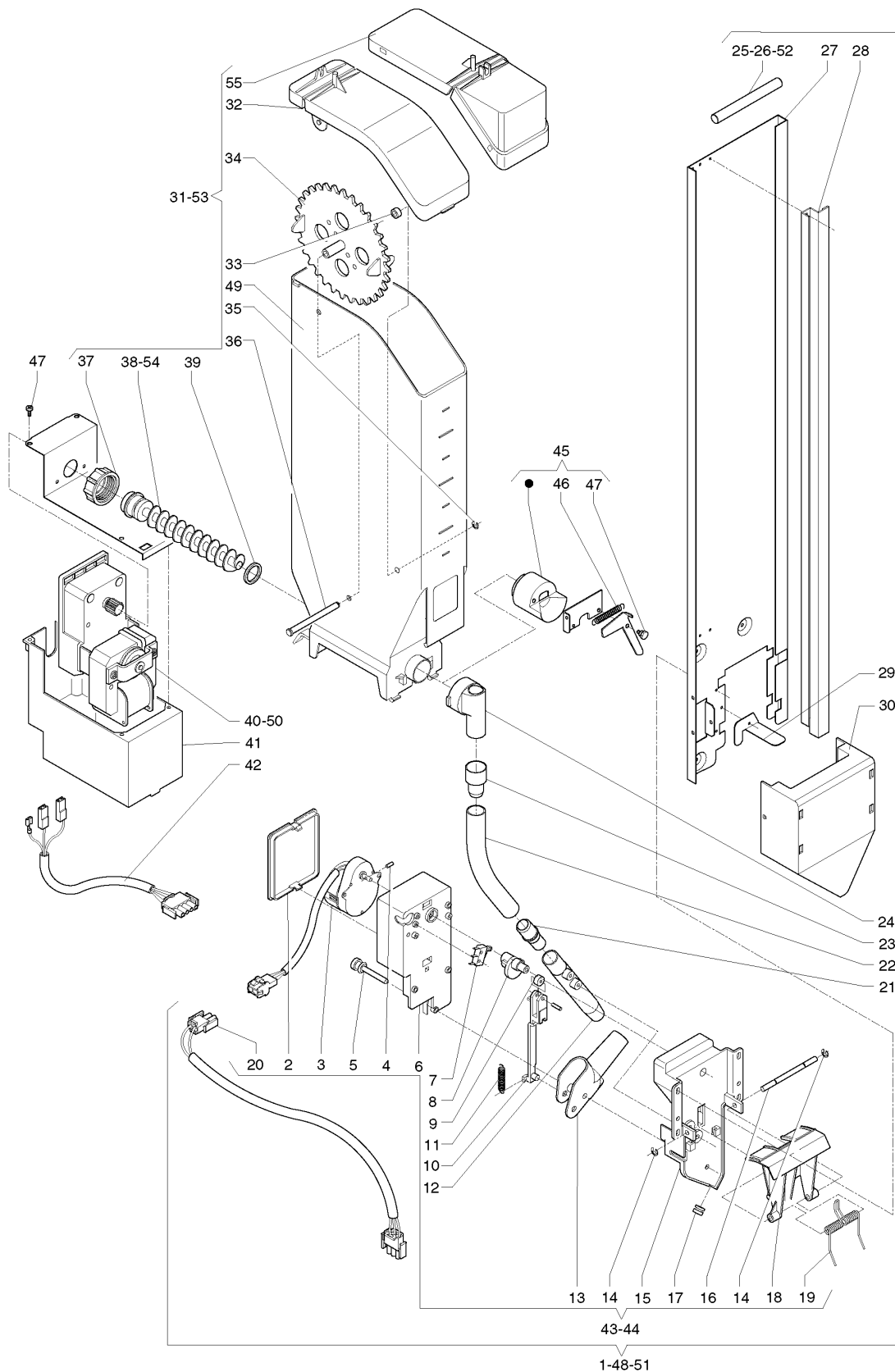


	<b>Code</b>	<b>Description</b>	<b>Notes</b>
1	0V3680	BOILER ASSEMBLY 600 C.C. 230V	
2	0V1133	AIR-BREAK ASSEMBLY	
3	0V3676	PISTON PIPE	
4	0V3677	PUMP/BOILER PIPE	
5	098758	STRAIGHT UNION	
6	0V3651	BOILER LOWER COVER	
7	099748	GASKET -VERS. 600CC-	
8	099653	HEATING ELEMENT 1450 W	
9	255042	NUT M6	
10	254711	GASKET O-RING112 2.62X9.92	
11	0V3650	BOILER UPPER COVER	
12	255041	SCREW M6X25	
13	095624	GASKET O-RING 116 EP851	
14	094872	BOILER TEMPERATURE PROBE	
15	0V1318	125 DEGR. THERMOSTAT	
16	094594	GASKET O-RING 2031	
17	095529	RUBBER HOLDER UNION 1/8' (BRASS)	
18	0V1739	2+2+3+2 WAYS ELECTROVALVE ASSEMBLY	
19	096553	GASKET O-RING 2037	
20	0V1600	CAP WITH O-RING	
21	099057	ELECTROV.-COIL 220/230 VOLT	
22	099056	INSTANTS COIL	
23	099105	COFFEE-ELECTROV. CONNECTION PIPE	
24	0V1953	INSTANT-ELECTROV. CONNECTION PIPE	
25	097472	3-WAY ELECTROVALVE NUCLEUS -VITON-	
26	099059	VALVE-BUSH-GASKET	
27	099058	NUCLEUS INSTANT-E.V.	
28	0V2509	UNION L-SHAPE 5X1/8	
29	251745	BOILER/COFFEE BRACKET ASSEMBLY-50HZ-KIKKO-	
30	098711	BUSH PISTON PIPE	
31	098699	UNION FOR PISTON PIPE	
32	097529	SILICONE HOSE 3X6 BROWN	
33	099329	FUNNEL NOZZLE D. 3.4	
34	0V1141	MICROSWITCH	
35	252538	O-RING 2025	
36	0V1749	WATER/AIR-BREAK CONNECTION	
37	0V1126	AIR-BREAK FLOAT	
38	094231	UNION T-SHAPE	
39	097510	SILICONE HOSE 5X9 BROWN	
40	098760	PUMP (VIBRATION)	
41	099101	NO-RETURN VALVE	
42	098764	BY-PASS PUMP (12 BAR)	
43	098697	PUMP SUPPORT	
44	099107	NUT	
45	093091	PUMP DAMPER	
46	090021	WHIPPING DIAM 12.9 MM	

	<b>Code</b>	<b>Description</b>	<b>Notes</b>
47	098707	VOLUMETRIC COUNTER	
48	097383	ELECTROVALVE WATER-INLET 220V-2.5L/MIN-	
49	097685	SILICONE HOSE BROWN 7.5X12	
50	098815	90 DEGREES THERMIC PROTECTION	
51	254569	BLUE GROUND BUCKET	
52	0V3653	LIQUID CONTAINER STOP	
53	094571	UNION 90 DEGREES	
54	097515	SILICONE HOSE 10X16 BROWN	
55	096552	UNION T-SHAPE	
56	252585	MICROSWITCH	
57	099815	STOPPER	
58	094294	FLOAT	
59	097378	CONNECTION PIPE	
60	250352	UNION	
61	093959	UNION Y-SHAPE DIAM 12 OUTER	
62	097512	SILICONE HOSE 6X12 BROWN	
63	097435	WATER FILTER VOLUMETRIC COUNTER	
64	097441	WATER INLET INTERMEDIATE HYP.-2	
65	094185	CODENSE RECOVERY UNION	
66	255045	SCREW M4X25 -INOX-	
67	0V3668	COFFEE BRACKET WIRING	
68	094124	DEPURATOR COMPLETE	
69	250367	BOILER BRACKET	
70	093957	TUBE CLAMP	
71	255034	PLAIN TIP SELF-TAPPING SCREW 4X12	
72	0V4252	CONNECTIONS SUPPORT	
73	092387	TIGHTENING NUT	
74	096656	PLUG COLLAR	
75	095586	BANJO UNION T-SHAPE	
76	093951	TIGHTENING NUT G 3/4	
77	093952	WATER INLET CONNECTION NIPPLE	
78	092364	UNION GASKET 3/4	
79	092388	TIGHTENING RING	
80	092652	LOCK NUT 1/4 REV	
81	092651	INTERMEDIATE ELBOW LINK	
82	0V2199	UNION 1/4	
83	091993	DEPURATOR FILTER	
84	092942	DEPURATOR COVERING GASKET	
85	094126	DEPURATOR LID	
86	094127	WATER OUTLET PIPE	
87	099805	STOPPER	
88	251143	ALUMINIUM WASHER	
89	0V0918	2 WAY ELECTROVALVE 60 HZ COIL	
90	253280	MONOBLOC BRASS 4 ELECTROVALVES	
91	090421	GASKET OR 2025	
92	094611	GASKET O-RING 2018	

---

	<b>Code</b>	<b>Description</b>	<b>Notes</b>
93	0V0493	BY-PASS PUMP -4 BAR-	
94	0V1400	STRAIGHT CONNECTOR	
95	0V1301	110 DEGREES THERMAL OVERLOAD	
96	099528	BY-PASS PUMP (2 BAR)	
97	255446	WATER INLET ELECTROVALVE SUPPORT	
98	254710	ELASTIC BENT WASHER	
99	252658	TEFLON PIPE 3X6 (A METER)	
100	095515	HOSE CLIP DIAM 14	
101	097002	HOSE CLIP	
102	0V0917	3 WAY ELECTROVALVE 60 HZ COIL	
103	252659	TEFLON PIPE 2.5X5 (A METER)	
104	095730	BUCKET FASTENER	
105	0V0465	PUMP 220V - 60 HZ	
106	0V1739	2+2+3+2 WAYS ELECTROVALVE ASSEMBLY	

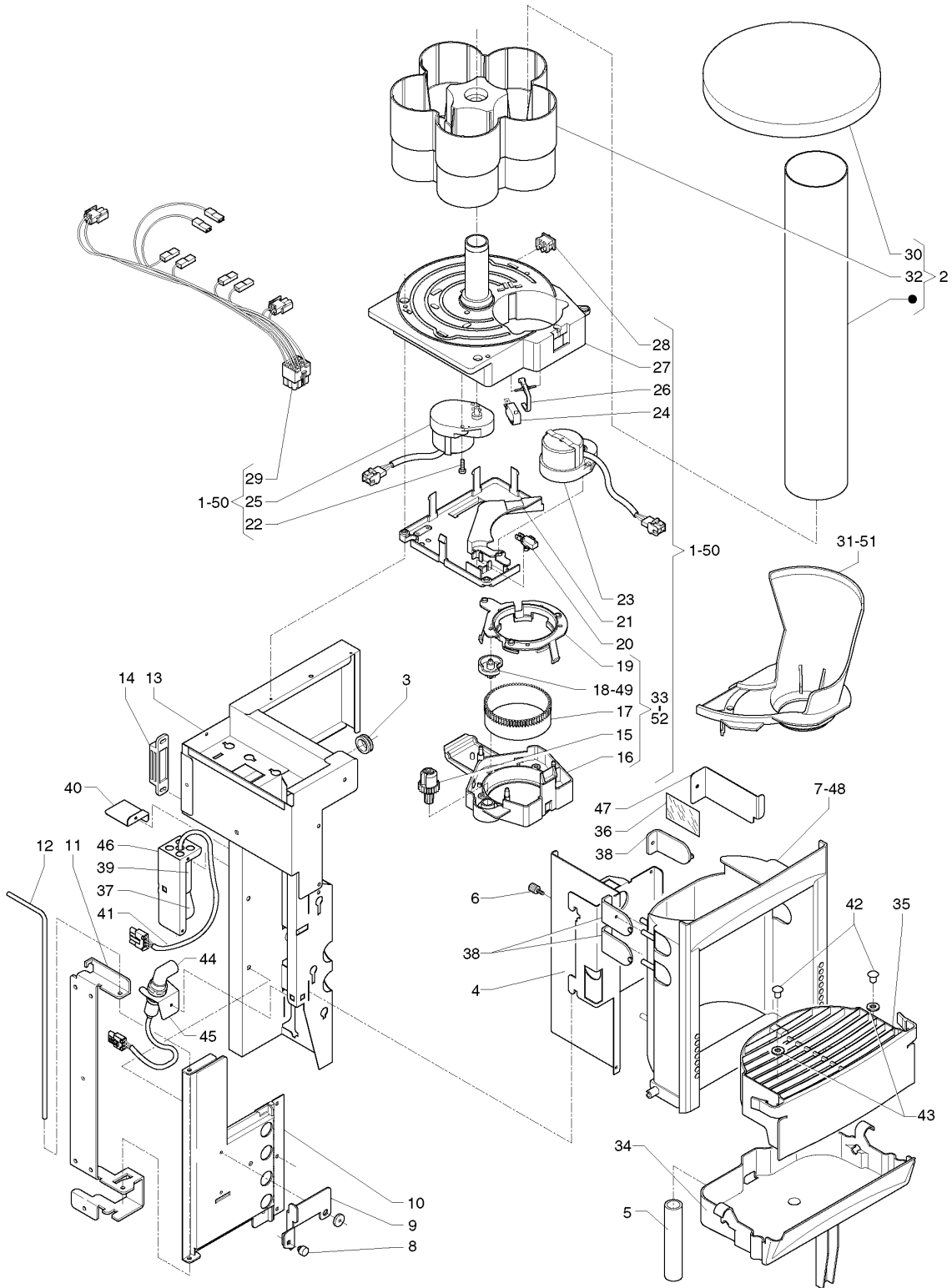




---

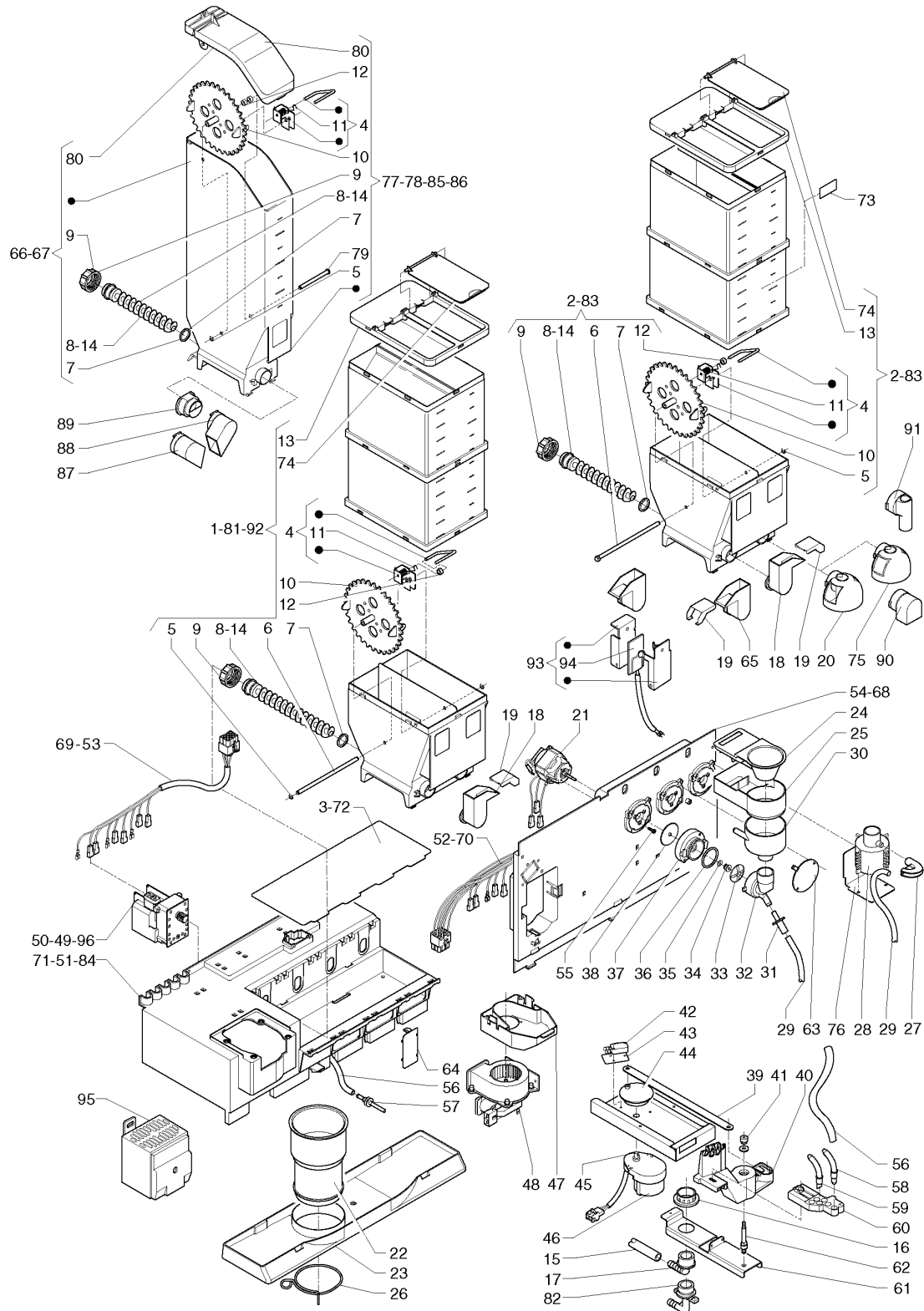
	<b>Code</b>	<b>Description</b>	<b>Notes</b>
1	252012	SUGAR-STIRRER DISPENSER	
2	099609	COVER	
3	099397	MOTOR REDUCTOR 6G/1 MIN.	
4	096904	ELASTIC PLUG 1.5X8	
5	0V2949	SUGAR SPOUT PIN	
6	099608	SUPPORT	
7	096355	MICRO SWITCH -UL -	
8	099606	CAM	
9	099604	ROLLER	
10	099605	ROD	
11	099616	SPRING	
12	098356	SUGAR PIPE	
13	099721	SUGAR NOZZLE	
14	091959	BENZING COLLAR DIAM MM4	
15	099607	BODY	
16	098352	STIRRING BARS EJECTING PIN	
17	098853	PASS-WIRE	
18	099610	LEVER	
19	099602	SPRING	
20	0V3666	STIRRER DISPENSER WIRING	
21	099375	HOSE COUPLING	
22	098719	PVC PIPE 14X19(A METER)	
23	0V3657	PIPE COUPLING	
24	098939	ROUND STRAIGHT PIPETTE	
25	099720	STIRRER BAR WEIGHT L=105	
26	090203	STIRRER BAR WEIGHT L=95	
27	251977	STIRRER CLOUMN	
28	251982	STIRRER ROD	
29	0V3830	STIRRING GUIDE SQUARE	
30	0V3022	STIRRER CHUTE	
31	253332	SUGAR CONTAINER ASSEMBLY	
32	0V2048	POWDER CONTAINER LID	
33	098812	SPACER	
34	095936	WHEEL	
35	091959	BENZING COLLAR DIAM MM4	
36	0V1962	PIN FOR WHEEL	
37	095849	CONTAINER RING NUT	
38	098609	SCROLL	
39	095829	GASKET O-RING	
40	0V3673	SUGAR RATIOMOTOR 52 RPM	
41	0V3710	CONTAINER BASE BRACKET	
42	0V3667	SUGAR DOSING UNIT WIRING	
43	0V3857	STIRRER DISPENSER	
44	0V3663	SUGAR/STIRRER DISPENSER	
45	0V4274	SUGAR CONVEYOR ASSY.	
46	093978	SPRING FOR ACTUATOR	

	<b>Code</b>	<b>Description</b>	<b>Notes</b>
47	255034	PLAIN TIP SELF-TAPPING SCREW 4X12	
48	252019	STIRRER DISPENSER	
49	253262	CONTAINER CASING	
50	250868	SUGAR RATIONMOTOR 78 RPM	
51	252904	115 SUGAR/STIRRER DISPENSER	
52	252034	115 MM STIRRER BAR WEIGHT	
53	0V2174	LONG AUGER CONTAINER	
54	098608	LONG SCROLL	
55	253333	SUGAR CONTAINER COVER	



	<b>Code</b>	<b>Description</b>	<b>Notes</b>
1	0V3678	CUP DISPENSER 70/71	
2	252011	CUPS-CONTAINER	
3	093916	WHIPPING OVAL	
4	251277	DISPENSING COMPARTMENT BACK SUPPORT	
5	093628	HOSE VIPLA TRANSPARENT DIAM MM 14X1	
6	096977	KNURL	
7	250246	BLACK DISP.OPENING BACK PANEL	
8	092738	WEDGE BUMPER	
9	0V3649	BRACKET LOCK-OUT LEVER	
10	0V3685	DOUBLE HINGE	
11	0V3641	HINGE SUPPORT	
12	0V3654	FULCRUM PIN	
13	0V3684	CUP STATION BRACKET	
14	097508	LOCKING MAGNET	
15	0V3697	MICRO GEAR	
16	0V3695	SNAIL SUPPORT	
17	098477	TOOTHED RING	
18	098305	SCROLL DIAM.70/71	
19	0V3696	SNAIL RING	
20	0V1931	MICROSWITCH 'UL'	
21	0V3694	MOTOR GEARMOTOR SUPPORT	
22	987628	EJOT-PT-SCREW 30X8	
23	255251	REDUCING GEAR 3RPM 230V-50HZ	
24	092439	MICRO TYPE 'CHERRY'	
25	0V3672	RATIOMOTOR	
26	0V2548	LEVER FOR MICROSWITCH	
27	0V3693	CUP BASE	
28	097807	BUTTON	
29	0V3665	CUP DISPENSER WIRING	
30	0V3658	CUP CONTAINER COVER	
31	250195	BLACK CUP CHUTE 70/71	
32	0V4107	CONTAINER BASE	
33	0V4187	CUP RELEASING 70/71	
34	250347	DISPENSING COMPARTMENT TRAY -BLACK-	
35	250354	BLACK DISPENSING OPENING GRID	
36	0V0906	CATADIOPTIC PLATE	
37	0V2236	FILAMENT LAMP T26/57 CL 25W	
38	0V3717	GLASS	
39	0V2237	LAMP-HOLDER	
40	0V4253	PROTECTION SQUARE	
41	0V4269	LAMP WIRE	
42	099184	CUP POSITIONING PIN	
43	096863	PIVOT WASHER	
44	0V2149	PHOTOCELL	
45	0V4175	PHOTOCELL SUPPORT	
46	0V4251	LAMP SUPPORT	

	<b>Code</b>	<b>Description</b>	<b>Notes</b>
47	0V4176	CATADIOPTRIC SUPPORT	
48	0V4265	BLACK DISP.OPENING BACK PANEL+HOLES	
49	0V1659	SNAIL W/DIAM. 73-74	
50	0V4271	CUP DISPENSER 73/74	
51	0V4266	BLACK CUP CHUTE 73/74	
52	0V4190	CUP RELEASING 73/74	



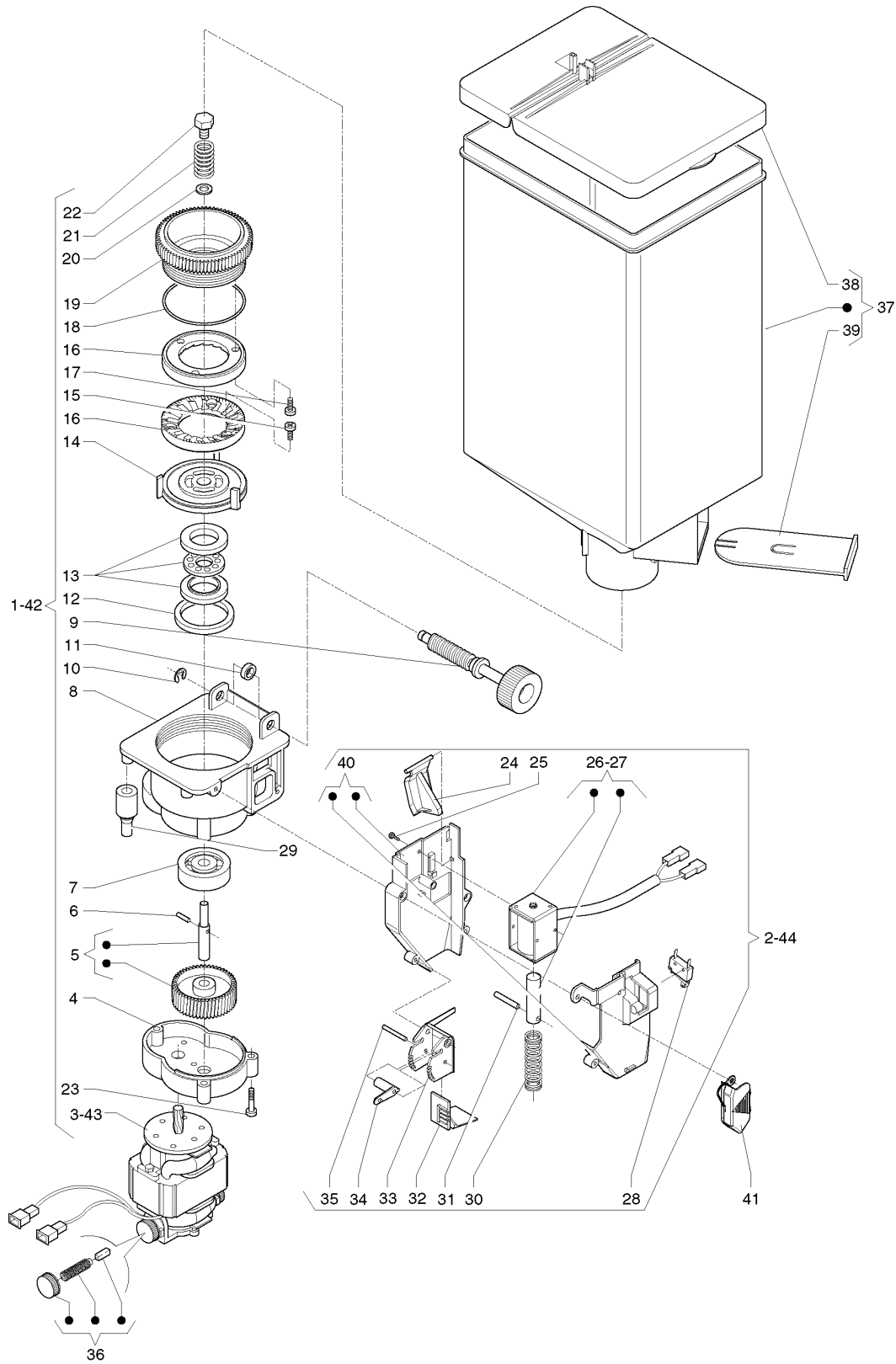
---

	<b>Code</b>	<b>Description</b>	<b>Notes</b>
1	0V3683	RIGHT LONG AUGER CONTAINER+BEATER	
2	0V3682	LEFT NORMAL AUGER CONTAINER+BEATER	
3	0V3638	INTAKE OPENING COVER	
4	099494	CANISTER-BEATER	
5	091959	BENZING COLLAR DIAM MM4	
6	0V3728	WHEEL PIN	
7	095829	GASKET O-RING	
8	098608	LONG SCROLL	
9	095849	CONTAINER RING NUT	
10	095936	WHEEL	
11	099442	SPRING	
12	098812	SPACER	
13	0V3722	CONTAINER EXTENSION COVER	
14	098609	SCROLL	
15	097515	SILICONE HOSE 10X16 BROWN	
16	099643	COLLAR	
17	0V2066	3/4 ANGLED RUBBER HOLDER	
18	0V2070	RH POWDER FEEDER	
19	0V2076	SHORT CONVEYOR COVER	
20	0V1536	ROUND SPHERICAL CONTAINER OPENING	
21	098808	MOTORMIXER	
22	0V3698	USED DOSE DISCHARGE PIPE	
23	0V3689	MIXER TRAY	
24	0V1534	DRAWER COVER	
25	0V1537	SUCTION DRAWER	
26	094048	BAG LOCK COLLAR	
27	251295	COIL UNION FOR TEA	
28	097923	COIL FOR TEA	
29	097511	SILICONE HOSE 6X9 BROWN	
30	0V1535	WATER FUNNEL	
31	097914	COFFEE CHOKE	
32	0V2519	CONVEYOR FOR MIXER	
33	097916	MIXER VENTILATOR	
34	097917	BUSH SEAL	
35	099880	GASKET	
36	094540	GASKET O-RING 3125	
37	097911	FLANGE FOR MIXER	
38	099889	DISK	
39	0V3643	CONTROL CON-ROD	
40	0V3699	NOZZLE SHIFT ARM	
41	093828	KNURL	
42	0V1930	MICROSWITCH 'UL'	
43	090681	INSULATING DISK	
44	251519	CRANK	
45	096904	ELASTIC PLUG 1.5X8	
46	099617	MOTOREDUCER 12G/1 MIN.	

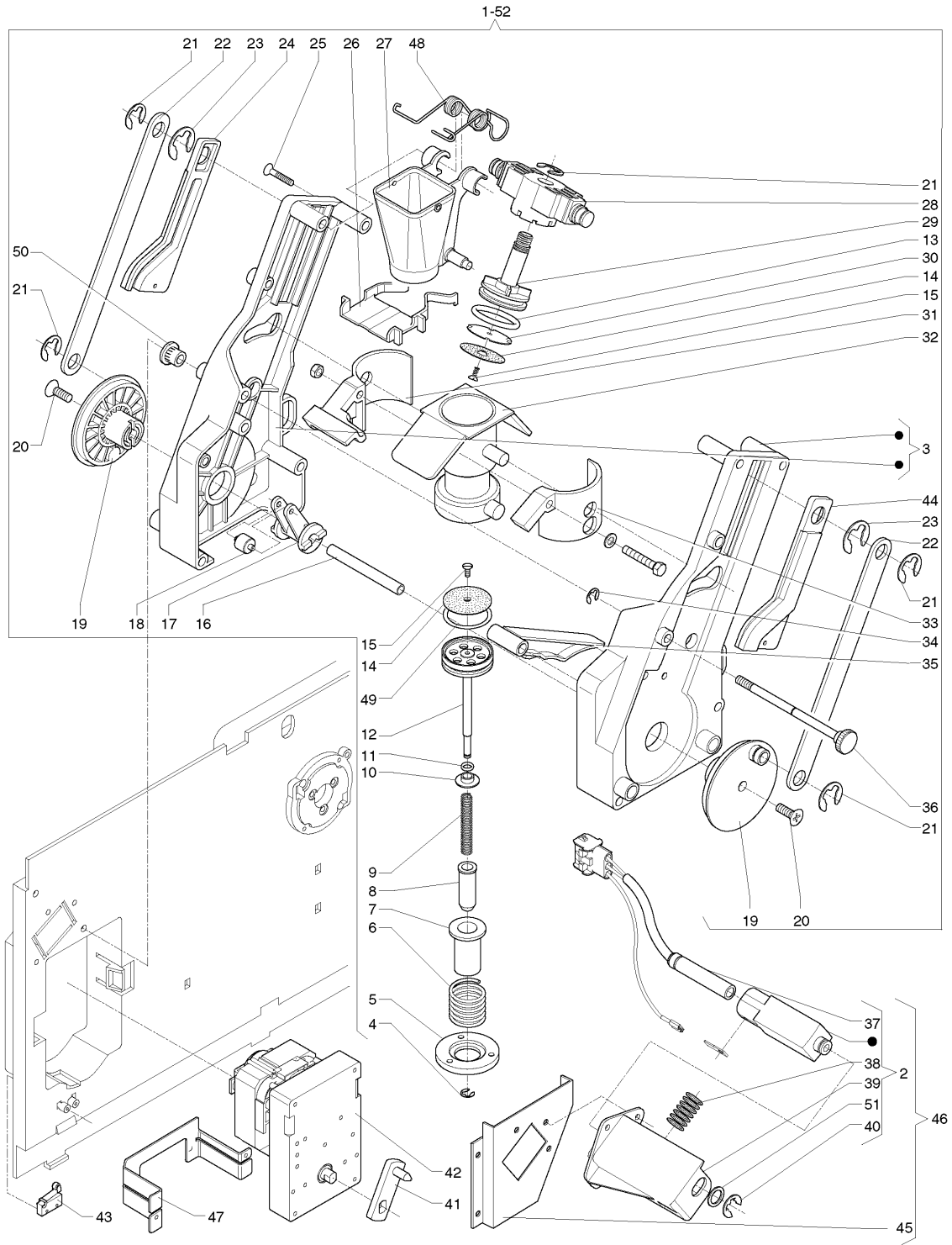
	<b>Code</b>	<b>Description</b>	<b>Notes</b>
47	0V3700	FAN SUPPORT	
48	098583	ELECTROVENTILATOR	
49	0V3725	RATIOMOTOR 52 RPM	
50	0V3726	RATIOMOTOR 78 RPM	
51	0V3711	RATIOMOTOR SUPPORT	
52	0V3669	MIXER BRACKET WIRING	
53	0V3840	DOSERS BRACKET WIRING	
54	0V3712	MIXER BRACKET	
55	255046	SCREW M3.5X8	
56	097510	SILICONE HOSE 5X9 BROWN	
57	099329	FUNNEL NOZZLE D. 3.4	
58	097922	NOZZLE	
59	097953	POINTED NOZZLE	
60	098067	SUPPORT FOR INSTANT NOZZLES	
61	0V3642	ARM SUPPORT	
62	0V3655	ARM ROTATION PIN	
63	0V3716	MIXER PLUG	
64	0V3724	BRACKET COVER	
65	0V2072	LH POWDER FEEDER L=38	
66	0V2925	STANDARD AUGER CONTAINER WITHOUT WHEEL	
67	250775	LONG AUGER CONTAINER WITHOUT WHEEL	
68	0V3721	INSTANT MIXER BRACKET	
69	0V3853	DOSERS BRACKET WIRING- INSTANT	
70	0V3854	MIXER BRACKET WIRING- INSTANT	
71	0V3720	INSTANT GEARMOTOR SUPPORT	
72	0V3858	INTAKE OPENING COVER- INSTANT	
73	097502	NAMEPLATE GROUP CONTAINER INSTANT P	
74	0V3723	COVER	
75	0V3719	SQUARE SPHERICAL OPENING	
76	251222	COIL SUPPORT FOR TEA	
77	0V2173	NORMAL AUGER CONTAINER	
78	0V2174	LONG AUGER CONTAINER	
79	0V1962	PIN FOR WHEEL	
80	0V2048	POWDER CONTAINER LID	
81	250183	RH CONTAINER FOR NORMAL AUGER + BEATER	
82	253277	ANGLED RUBBER HOLDER	
83	0V3856	LEFT LONG AUGER CONTAINER+BEATER	
84	250788	GEARMOTOR SUPPORT-TEA VERSION-	
85	0V2177	NORMAL AUGER CONTAINER+BEATER	
86	0V2175	LONG AUGER CONTAINER+BEATER	
87	250785	RIGHT THE CONVEYOR	
88	250786	LEFT THE CONVEYOR	
89	250787	THE CONVEYOR EXTENSION	
90	096868	SQUARE STRAIGHT PIPETTE	
91	098939	ROUND STRAIGHT PIPETTE	
92	0V3855	RIGHT LONG AUGER CONTAINER+BEATER	



	<b>Code</b>	<b>Description</b>	<b>Notes</b>
93	252646	CONVEYOR HEATER ASSY.	
94	252645	24 VOLT 4 WATT RESISTANCE	
95	253850	MIXER HEATER	
96	250004	RATIOMOTOR 138 RPM	



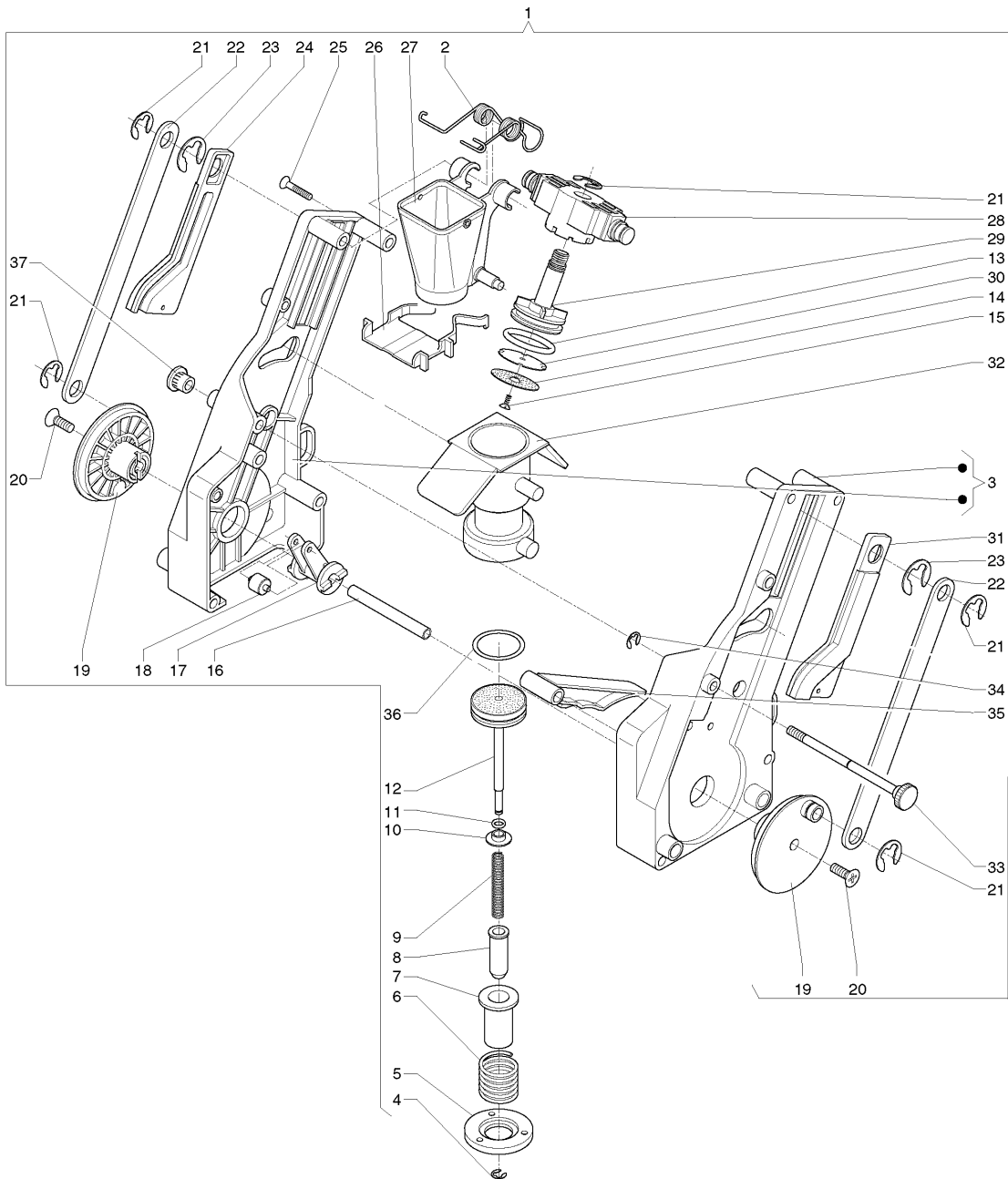
	<b>Code</b>	<b>Description</b>	<b>Notes</b>
1	099336	GRINDER	
2	099337	COFFEE DOSER	
3	099732	GRINDER MOTOR	
4	099468	SUPPORT	
5	099470	SHAFT WHEEL	
6	098293	ELASTIC PLUG	
7	095803	RADIAL BEARING	
8	099469	CAP	
9	099474	REGULATION SCREW	
10	093171	OUTER FIXING COLLAR DIAM MM6	
11	099457	WASHER	
12	093271	COFFEE JUNK RING	
13	093187	THRUST BEARING	
14	095802	GRINDER HOLDER IMPELLER	
15	255032	TREFOIL SCREW M4X10	
16	095840	GRINDER	
17	255033	SELF-TAPPING SCREW 4X10	
18	095805	GASKET O-RING	
19	099473	GRINDER HOLDER	
20	096988	WASHER	
21	099471	SPRING	
22	099472	LEFT SCREW	
23	255031	SELF-TAPPING SCREW 4.2X26	
24	099475	ACTUATOR	
25	092657	CLOSS SLOT SCREW 3X6TC	
26	098716	ELECTROMAGNET 220V	
27	098716	ELECTROMAGNET 220V	
28	0V2131	BURGESS MICRO-SWITCH	
29	099484	LITTLE RUBBER	
30	098696	SPRING DOSER ELECTROMAGNET	
31	093832	ROD PIVOT	
32	098643	RULE COFFEE-DOSES	
33	098642	SHUTTER COFFEE-DOSER	
34	098644	LEVER FOR RULE	
35	098822	PIN FOR LEVER	
36	0V3229	MOTORBRUSH KIT	
37	0V3681	COFFEE CONTAINER	
38	0V0421	COVER	
39	098630	ROLL-UP FOR CONTAINER	
40	251128	COFFEE DOSER-BODY	
41	254834	SIDE BATCHER LID	
42	0V0448	GRINDER 60 HZ	
43	0V0451	GRINDER MOTOR 60 HZ	
44	099337	COFFEE DOSER	



---

	<b>Code</b>	<b>Description</b>	<b>Notes</b>
1	252506	Z3000 WITH HEATER(OPEN DURING STAND-BY POSITION)	
2	0V1783	Z2000M HEATER WITH SUPPORT	
3	251101	RH-LH SUPPORT	
4	098818	STOPPING RING D.4	
5	098569	FLANGE FOR SPRING	
6	098689	PREINFUSION SPRING	
7	098567	LID FOR SPRING	
8	098691	LOWER PISTON GUIDE	
9	098688	PISTON RETURN SPRING	
10	098690	CONTROL BUSH	
11	090421	GASKET OR 2025	
12	099490	LOWER PISTON	
13	093167	SILICONE GASKET OR 4118 .	
14	098687	COFFEE FILTER	
15	255047	SCREW M3X10 -INOX-	
16	098693	ROD CRANK BLOCKING	
17	098574	ROTATING LEVER	
18	098692	ROTATING LEVER ROLL	
19	098573	CRANK	
20	0V3889	SCREW 6X14	
21	092717	FIXING COLLAR DIAM MM10	
22	098565	TRACE FOR PISTON COMMAND	
23	096569	FIXING COLLAR DIAM 12	
24	098571	REAR SLEDGE	
25	255031	SELF-TAPPING SCREW 4.2X26	
26	251740	COFFEE SCRAPER	
27	251739	Z3000 COFFEE CHUTE	
28	098568	CROSS-BAR	
29	098577	UPPER PISTON	
30	0V1789	WATER DEFLECTOR	
31	0V1785	REAR PANEL	
32	0V1715	BREWING CHAMBER W/PLUG	
33	0V1784	FRONT PANEL	
34	091287	OUTER FIXING COLLAR	
35	098575	OSCILLATING LEVER	
36	252020	TIEROD WITH KNURLED NUT	
37	0V1786	25 WATT 110/265 V RESISTOR	
38	0V1788	CONTACT SPRING	
39	0V1787	SUPPORT	
40	987948	LOCKING WASHER	
41	098763	CRANK WITH PIN	
42	098708	MOTOREDUCER	
43	096355	MICRO SWITCH -UL -	
44	098572	FRONT SLEDGE	
45	251487	HEATER SUPPORT	
46	251928	HEATER SUPPORT	

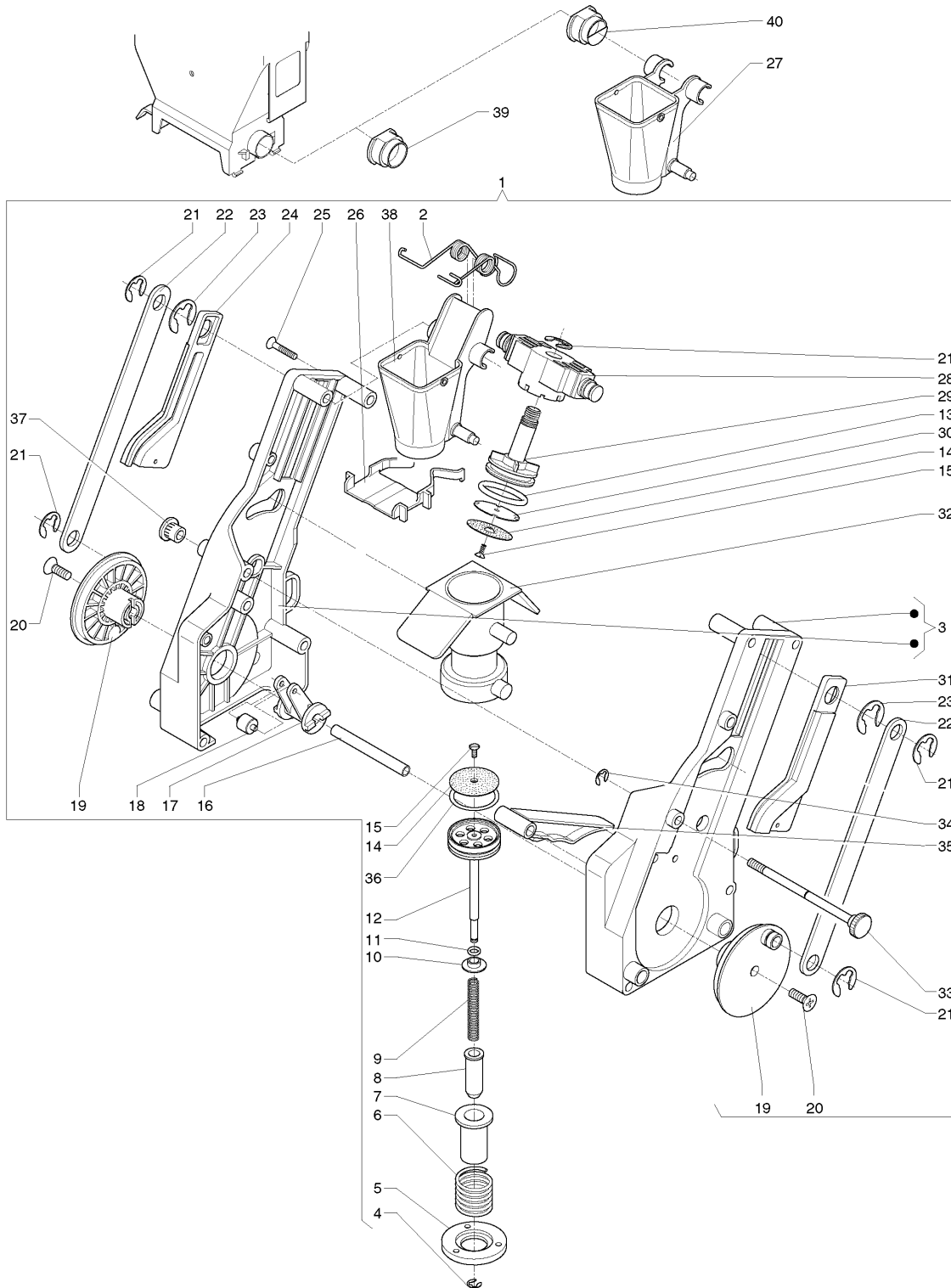
	<b>Code</b>	<b>Description</b>	<b>Notes</b>
47	252871	MOTOREDUCER SUPPORT	
48	252277	SCRAPER SPRING	
49	253411	GASKET O-RING 4112	
50	253655	SPACER BUSH	
51	251143	ALUMINIUM WASHER	
52	251687	COFFEE-GROUP Z3000	



---

	<b>Code</b>	<b>Description</b>	<b>Notes</b>
1	253237	Z3000 TEA UNIT	
2	252277	SCRAPER SPRING	
3	251101	RH-LH SUPPORT	
4	098818	STOPPING RING D.4	
5	098569	FLANGE FOR SPRING	
6	098689	PREINFUSION SPRING	
7	098567	LID FOR SPRING	
8	098691	LOWER PISTON GUIDE	
9	098688	PISTON RETURN SPRING	
10	098690	CONTROL BUSH	
11	090421	GASKET OR 2025	
12	250023	LOWER PISTON WITH PIN	
13	093167	SILICONE GASKET OR 4118 .	
14	098687	COFFEE FILTER	
15	255047	SCREW M3X10 -INOX-	
16	098693	ROD CRANK BLOCKING	
17	098574	ROTATING LEVER	
18	098692	ROTATING LEVER ROLL	
19	098573	CRANK	
20	0V3889	SCREW 6X14	
21	092717	FIXING COLLAR DIAM MM10	
22	098565	TRACE FOR PISTON COMMAND	
23	096569	FIXING COLLAR DIAM 12	
24	098571	REAR SLEDGE	
25	255031	SELF-TAPPING SCREW 4.2X26	
26	251740	COFFEE SCRAPER	
27	251739	Z3000 COFFEE CHUTE	
28	098568	CROSS-BAR	
29	098577	UPPER PISTON	
30	0V1789	WATER DEFLECTOR	
31	098572	FRONT SLEDGE	
32	0V1715	BREWING CHAMBER W/PLUG	
33	252020	TIEROD WITH KNURLED NUT	
34	091287	OUTER FIXING COLLAR	
35	098575	OSCILLATING LEVER	
36	253411	GASKET O-RING 4112	
37	253655	SPACER BUSH	





---

	<b>Code</b>	<b>Description</b>	<b>Notes</b>
1	253588	Z3000 TEA UNIT -TURKISH-	
2	252277	SCRAPER SPRING	
3	251101	RH-LH SUPPORT	
4	098818	STOPPING RING D.4	
5	098569	FLANGE FOR SPRING	
6	098689	PREINFUSION SPRING	
7	098567	LID FOR SPRING	
8	098691	LOWER PISTON GUIDE	
9	098688	PISTON RETURN SPRING	
10	098690	CONTROL BUSH	
11	090421	GASKET OR 2025	
12	099490	LOWER PISTON	
13	093167	SILICONE GASKET OR 4118 .	
14	098687	COFFEE FILTER	
15	255047	SCREW M3X10 -INOX-	
16	098693	ROD CRANK BLOCKING	
17	098574	ROTATING LEVER	
18	098692	ROTATING LEVER ROLL	
19	098573	CRANK	
20	0V3889	SCREW 6X14	
21	092717	FIXING COLLAR DIAM MM10	
22	098565	TRACE FOR PISTON COMMAND	
23	096569	FIXING COLLAR DIAM 12	
24	098571	REAR SLEDGE	
25	255031	SELF-TAPPING SCREW 4.2X26	
26	251740	COFFEE SCRAPER	
27	251739	Z3000 COFFEE CHUTE	
28	098568	CROSS-BAR	
29	098577	UPPER PISTON	
30	0V1789	WATER DEFLECTOR	
31	098572	FRONT SLEDGE	
32	0V1715	BREWING CHAMBER W/PLUG	
33	252020	TIEROD WITH KNURLED NUT	
34	091287	OUTER FIXING COLLAR	
35	098575	OSCILLATING LEVER	
36	253411	GASKET O-RING 4112	
37	253655	SPACER BUSH	
38	252547	DECAF. SLIDE -USA-	
39	253587	THE CONVEYOR EXTENSION	
40	250787	THE CONVEYOR EXTENSION	

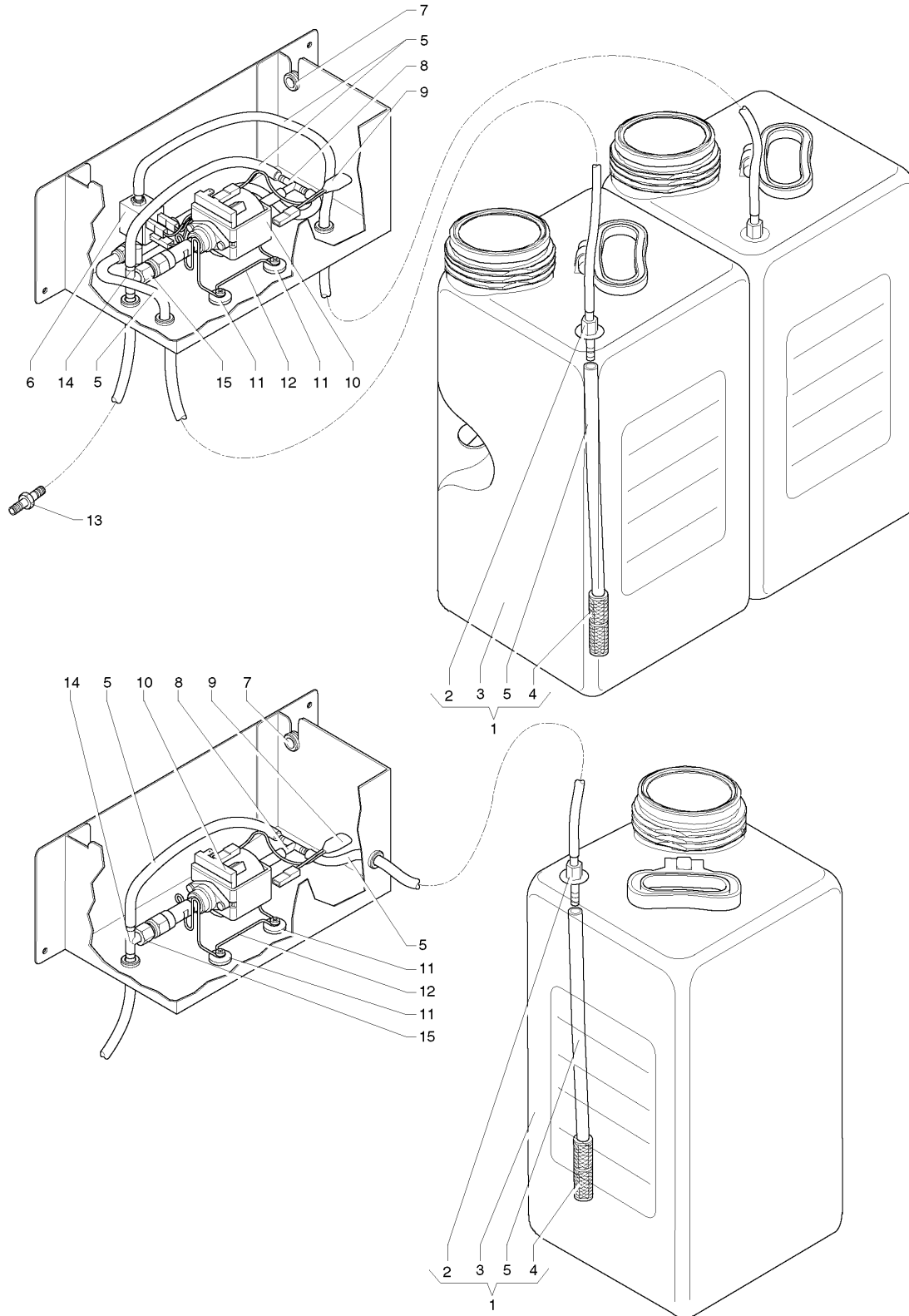


---

	<b>Code</b>	<b>Description</b>	<b>Notes</b>
1	0V3843	INSTANT-BOILER COMPLET	
2	0V3844	BOILER BODY	
3	0V3845	BOILER COVER+MICRO	
4	0V3846	GASKET	
5	0V3847	1660 W - 230V HEATING ELEMENT	
6	0V1364	105 DEGREE SAFETY THERMOSTAT	
7	0V0157	FEELER	
8	099918	GASKET FOR FEELER	
9	0V3849	3 ELECTROVALVES GROUPE	
10	098895	ELECTROVALVE FIXING BRACKET	
11	093179	INSULATING WASHER MOTOREDUCTER	
12	097699	KNURL M4	
13	0V2129	THERMOSTAT 82 C	
14	099458	TUBE FOR 2 THERMOSTAT	
15	094597	COPPER WASHER	
16	096552	UNION T-SHAPE	
17	098260	FLOAT	
18	099510	SEAL	
19	091842	OUTER FIXING COLLAR D.2.3	
20	092796	OUTFLOW REGUL FASTENER	
21	099847	GASKET	
22	093957	TUBE CLAMP	
23	0V3851	BOILER INSULATION	
24	0V3848	THERMOSTAT PROTECTION	
25	0V3852	INSTANT BOILER WIRING	
26	097512	SILICONE HOSE 6X12 BROWN	
27	0V4308	STOPPER WITH O-RING	
28	097383	ELECTROVALVE WATER-INLET 220V-2.5L/MIN-	
29	094185	CODENSE RECOVERY UNION	
30	250352	UNION	
31	094571	UNION 90 DEGREES	
32	097515	SILICONE HOSE 10X16 BROWN	
33	093959	UNION Y-SHAPE DIAM 12 OUTER	
34	097685	SILICONE HOSE BROWN 7.5X12	
35	094231	UNION T-SHAPE	
36	097510	SILICONE HOSE 5X9 BROWN	
37	098484	HOSE FIXING	
38	0V3888	INSTANT PROD. ELECTROVALVE	
39	0V2074	THERMOSTAT ACTUATOR	
40	251632	ELECTROVALVE KIT	
41	252016	MEMBRANE-GASKET (ODE)	
42	0V3552	VALVE BUSH	
43	0V4309	LOCKING TUBE L=138	
44	0V4309	LOCKING TUBE L=138	
45	0V4309	LOCKING TUBE L=138	
46	0V3554	GASKET O-RING	

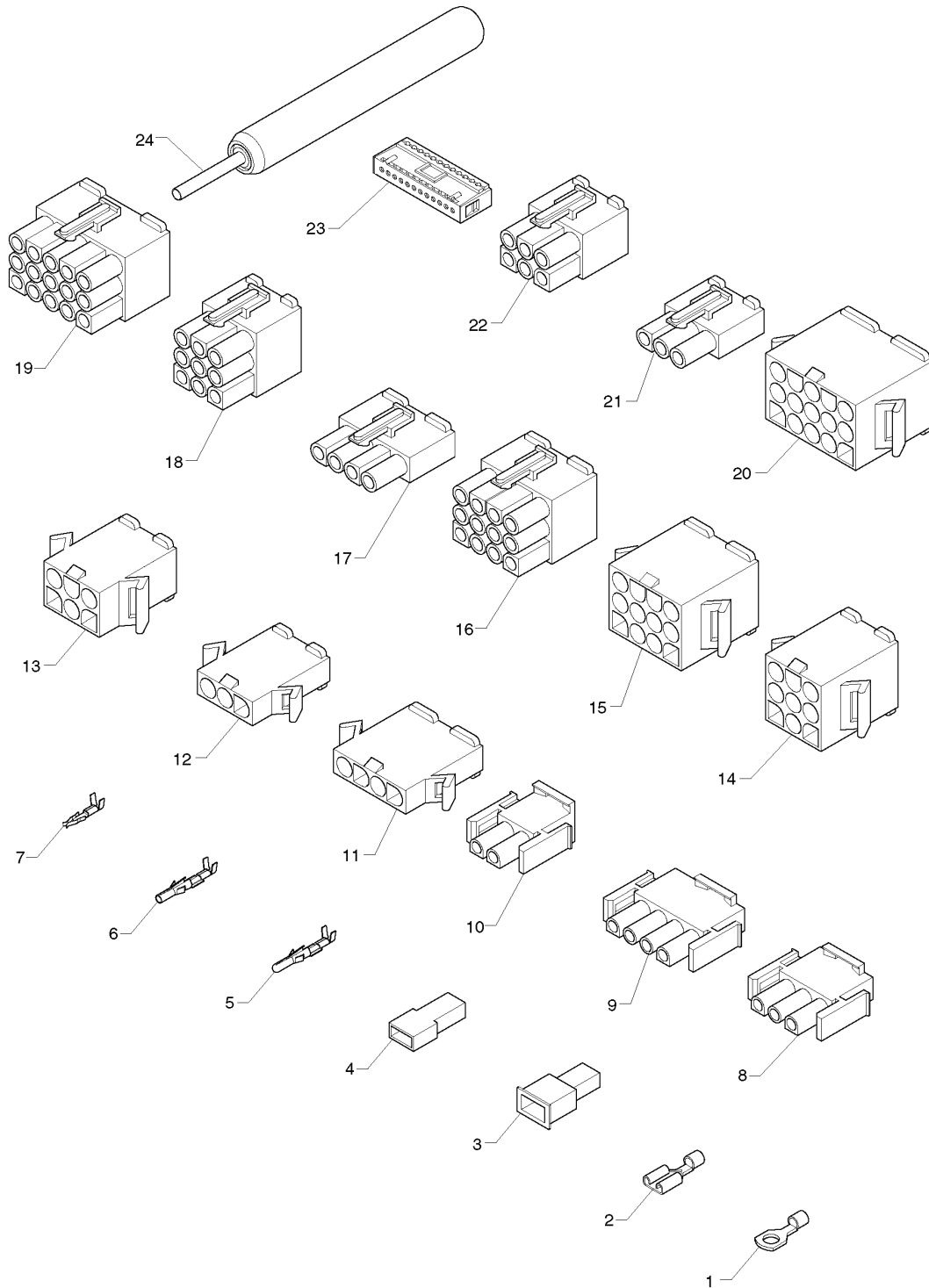
---

	<b>Code</b>	<b>Description</b>	<b>Notes</b>
47	099057	ELECTROV.-COIL 220/230 VOLT	
48	0V3556	LOWER BODY STOP	
49	099064	ADJUSTING-SCREW-GASKET	
50	253827	BOILER BODY KIKKO. BRIO250 -AISI 316-	
51	252585	MICROSWITCH	
52	099928	STOPPER GASKET	
53	093963	UNION Y-SHAPE DIAM 8 OUTER	



---

	<b>Code</b>	<b>Description</b>	<b>Notes</b>
1	0V3271	20 LITRE CAN ASSY.	
2	0V3272	UNION	
3	252855	20 LITRE CAN	
4	091536	BOTTOM VALVE	
5	097512	SILICONE HOSE 6X12 BROWN	
6	0V3252	ELECTROVALVE	
7	090021	WHIPPING DIAM 12.9 MM	
8	094231	UNION T-SHAPE	
9	0V1301	110 DEGREES THERMAL OVERLOAD	
10	099893	PUMP	
11	093091	PUMP DAMPER	
12	098697	PUMP SUPPORT	
13	094140	RUBBER HOLDER UNION	
14	099528	BY-PASS PUMP (2 BAR)	
15	254841	CONNECTION M-F 1/8 + OR2025	





---

	<b>Code</b>	<b>Description</b>	<b>Notes</b>
1	090957	EYELET TERMINAL	
2	090959	FASTON W/O TONGUE	
3	091192	FASTON COVER	
4	090247	FEMALE FASTON COVER	
5	095955	TERMINAL MALE	
6	096136	TERMINAL FEMALE	
7	094405	TERMINAL FEMALE 2.5	
8	094954	FEMALE HOLDER CONNECTOR 3-WAYS	
9	098062	4-WAY CONNECTOR MATE-N-LOK AMP	
10	094955	FEMALE HOLDER CONNECTOR 2-WAYS	
11	0V0809	4-PIN CONNECTOR/P MOLEX 3191	
12	0V0808	3-PIN CONNECTOR/P MOLEX 3191	
13	0V0810	6-PIN CONNECTOR/P MOLEX 3191	
14	0V0811	9-PIN CONNECTOR/P MOLEX 3191	
15	0V0812	12-PIN CONNECTOR/P MOLEX 3191	
16	0V0818	12-PIN CONNECTOR/P MOLEX 3191	
17	0V0815	4-PIN CONNECTOR/P MOLEX 3191	
18	0V0817	9-PIN CONNECTOR/P MOLEX 3191	
19	0V0819	15-PIN CONNECTOR/P MOLEX 3191	
20	0V0813	15-PIN CONNECTOR/P MOLEX 3191	
21	0V0814	3-PIN CONNECTOR/P MOLEX 3191	
22	0V0816	6-PIN CONNECTOR/P MOLEX 3191	
23	094961	FEMALE HOLDER CONNECTOR P.I. 12-W	
24	0V0820	MOLEX CONTACT PULLER	