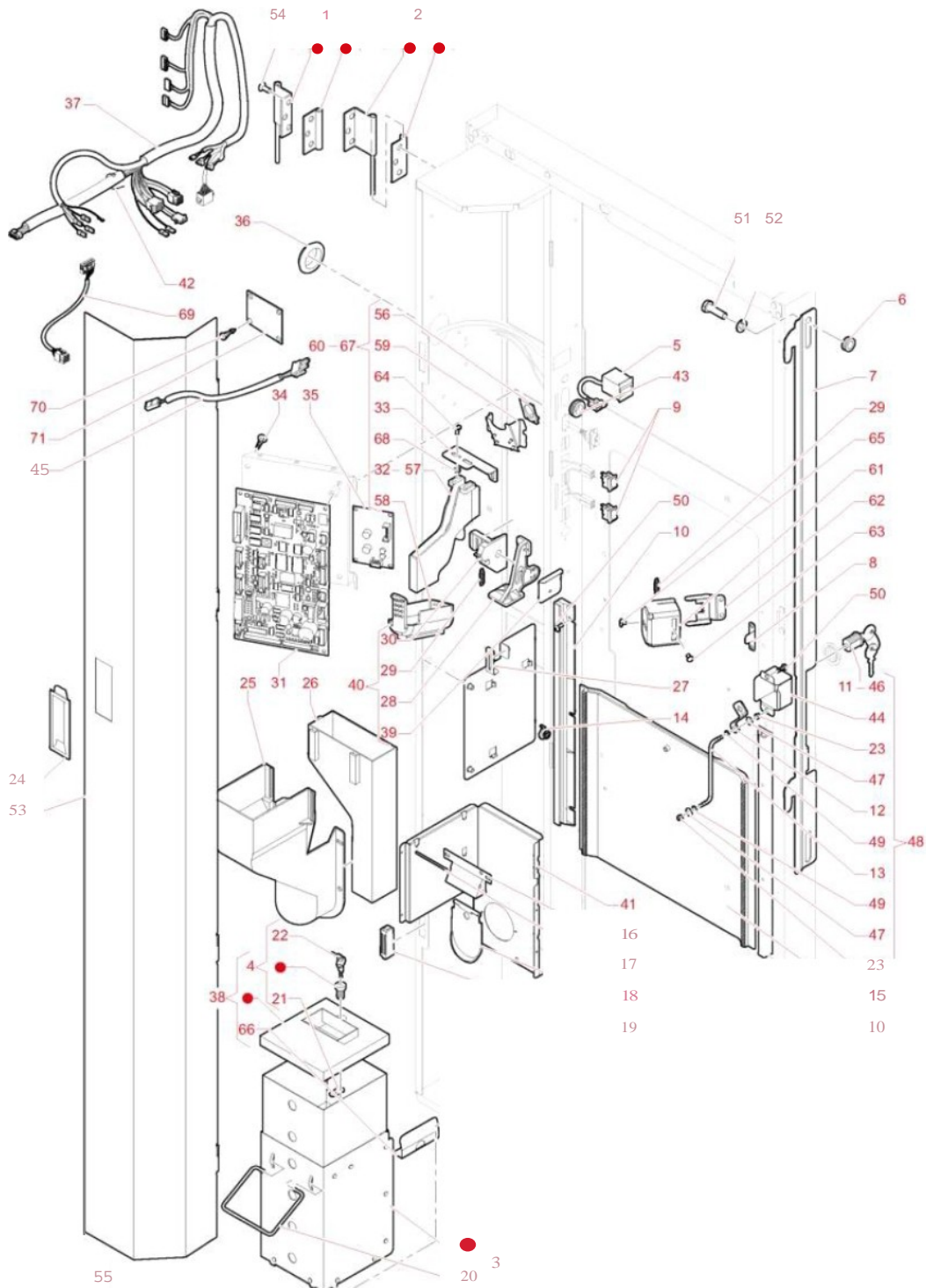


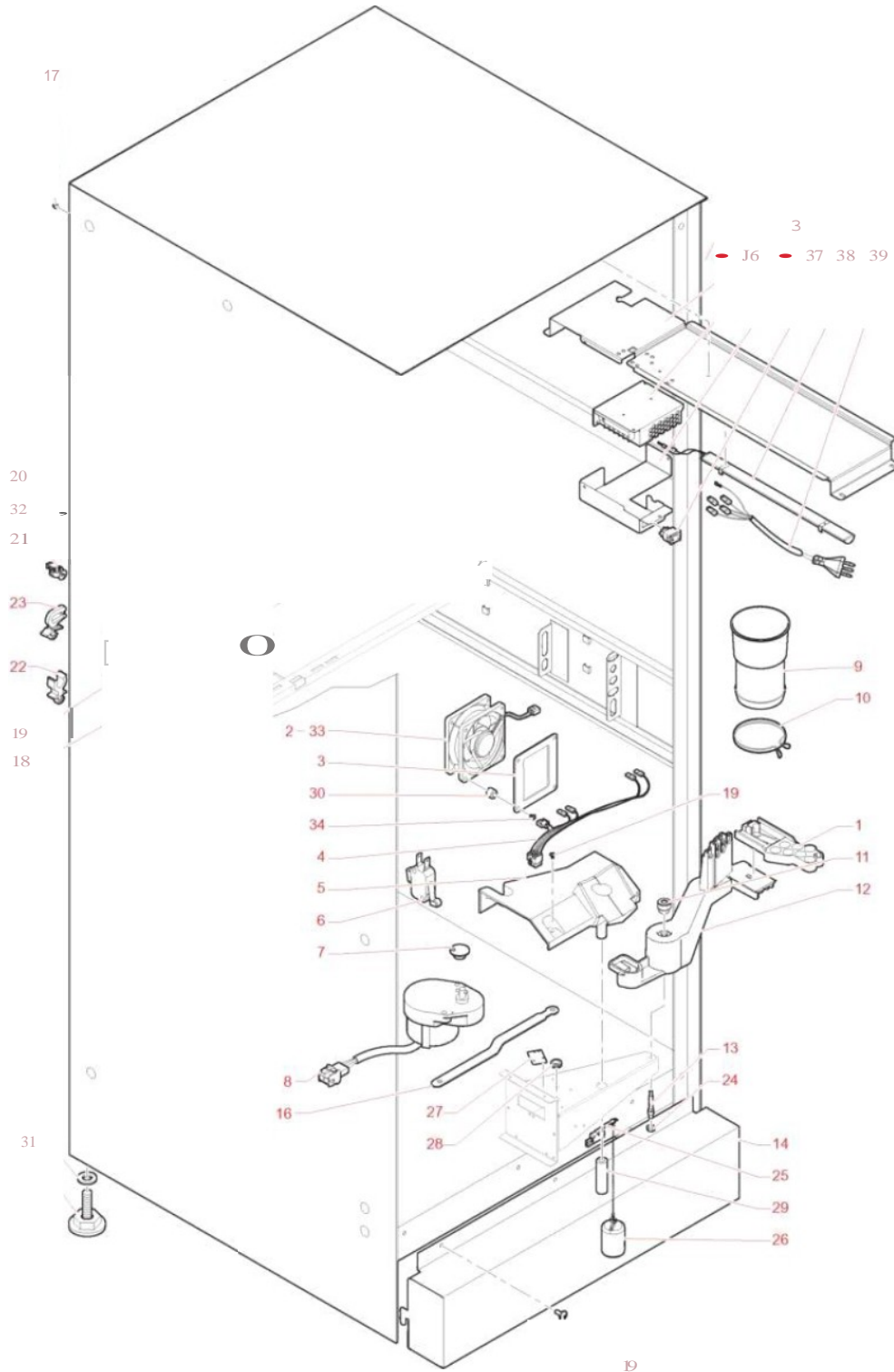
posLbl	Item	Description	
0001	253920	DISPLAY WIRING	
0002	255724	SELF-TAPPING SCREW 4X8	
0003	255678	TOP TILE	
0004	259544	LOGO PLATE OPERA	
0005	255681	BANK NOTE READER PLATE HOLDER	
0006	255688	GRAPHIC DISPLAY	
0007	255679	DISPLAY GLASS	
0008	0V4264	BLACK MONEY RETURN BUTTON	
0009	255673	DISPLAY SUPPORT	
0010	257270	PLATE HOLDER COIN SLOT	
0011	257267	PLATE HOLDER BANK NOTES	
0012	255834	TOUCH BUTTON PAD	
0013	255833	CENTRAL DOOR STRIPE	
0014	258709	LOWER PHOTO PANEL -ART OF THE BREAK-	
0015	255804	CLEAR BOTTOM PANEL	
0016	255796	BOTTOM DOOR STRIPE	
0017	258710	ITALY PRODUCT PLATES -ART OF THE BREAK-	
0018	0V3367	PRICE PLATE - EURO 0,01-	
0019	255683	INSTRUCTION PLATE	
0020	097298	FASTEX CLIP	
0021	255723	LED ASSEMBLY	
0022	255818	BOTTOM LED WIRING	
0023	255680	COIN RECOVERY FRAME	
0024	257275	STRIPS WHITE LED	
0025	257274	WIRING PLATE LIGHTING	
0026	258708	UPPER PHOTO PANEL -ART OF THE BREAK-	
0027	258598	OPERA DOOR STRUCTURE	
0028	0V3646	DOOR SWITCH ACTUATOR	
0029	259492	BANKNOTE SUPPORT BRACKET	
0030	255034	PLAIN TIP SELF-TAPPING SCREW 4X12	
0031	255027	SELF-TAPPING SCREW 3,9X6,5	
0032	256403	SUPPORT DISPLAY -SLIDE INTR.-	
0033	256609	PLATE DISPLAY+COIN SLOT CHUTE	
0034	259395	LED PANEL ASSEMBLY	
0035	093312	WHIPPING DIAM MM 12 ART 46	
0036	090148	CLIP	
0037	0V2081	LAMP PROTECTION	
0038	251515	ADHESIVE SEAL (A METER)	
0039	255028	SELF-TAPPING SCREW 3,9X9,5	
0040	261286	UPPER PHOTO PANEL -SELECTA-	
0041	261287	BOTTOM PHOTO PANEL -SELECTA-	
0042	261288	SELECTA PRODUCT PLATES	
0043	257266	SUPPORT CARD	
0044	258917	DISPLAY SUPPORT - STD COIN SLOT	

posLbl	Item	Description	
0045	259481	CAP FASTENING BRACKET	
0046	259480	CHANGE GIVER CAP	
0047	258804	E/P PRODUCT PLATES -ART OF THE BREAK-	
0048	258921	NUMERICAL CAPACITIVE KEYPAD	
0049	258920	I NUMBER PRODUCT PLATES -ART OF THE BREAK-	
0050	259559	UPPER PHOTO PANEL -PELICAN ROUGE-	
0051	259560	LOWER PHOTO PANEL -PELICAN ROUGE-	
0052	258711	FRANCE PRODUCT PLATES -ART OF THE BREAK-	
0053	099743	FREE VEND SWITCH	
0054	258712	GERMANY PRODUCT PLATES -ART OF THE BREAK-	
0055	259482	COIN SLOT CAP	
0056	261190	PHOTO PANEL UP. -PLUS HIGHSPEED-	
0057	259577	UK PRODUCT PLATES -ART OF THE BREAK-	
0058	260966	PRODUCT PLATES -AUSTRALIA -ART OF THE BREAK	
0059	261093	PRODUCT PLATES -POLAND-	



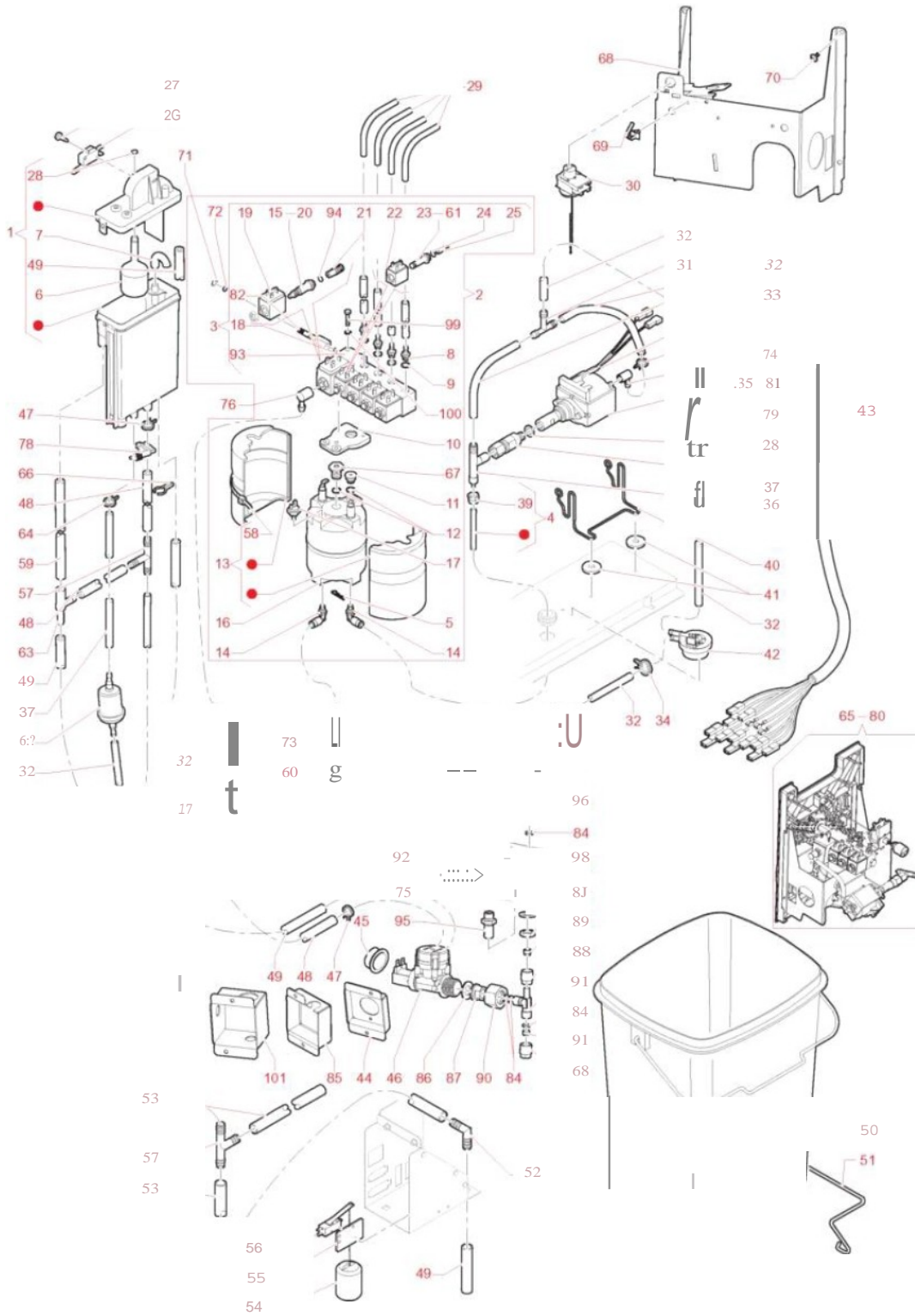
posLbl	Item	Description	
0001	0V3675	LEFT DOOR HINGE	
0002	0V3674	RIGHT DOOR HINGE	
0003	257276	ASSEMBLY COIN BOX	
0004	090861	CYLINDER LOCK TYPE K	
0005	0V2284	SCALER 24 VOLT	
0006	0V2047	LOCK ROD SPACER	
0007	255770	DOOR CLOSURE ROD	
0008	0V3646	DOOR SWITCH ACTUATOR	
0009	097807	BUTTON	
0010	0V3703	SLIDER GUIDE	
0011	099905	LOCK RIELDA-MOD.503-	
0012	0V4217	LOCK LATCH BOLT	
0013	250494	CLOSING PIN	
0014	255782	HATCH BRAKE	
0015	255800	DISPENSING COMPARTMENT DOOR	
0016	097455	MONEY RETURN SHUTTER BRACKET	
0017	093891	SHUTTER PIVOT	
0018	093890	MONEY RETURN SHUTTER	
0019	250182	MAGNET	
0020	0V3652	COIN BOX HANDLE	
0021	098551	BOLT	
0022	092218	PASSE-PARTOUT LOCK K	
0023	091703	SELF-BLOCKING NUT M4	
0024	0V3659	HANDLE	
0025	0V4263	BLACK COIN RETURN CHUTE	
0026	0V3708	COIN CASHING CHUTE	
0027	0V3648	COIN MECHANISM STOP	
0028	0V3704	COIN RETURN LEVER	
0029	987839	RETURN SPRING	
0030	0V3706	LEVER SUPPORT	
0031	253924	CPU BOARD	
0032	0V3705	COIN SLOT CHUTE	
0033	0V3647	COIN SLOT CHUTE SUPPORT	
0034	097175	CARD SPACER	
0035	258461	VOLTAGE REGULATOR CARD -1 WAY-	
0036	093916	WHIPPING OVAL	
0037	255810	DOOR WIRING	
0038	256526	ASSY. COVER COIN BOX	
0039	256611	PLATE CHANGE LEVER	
0040	256613	CHANGE ASSY. WITH CHUTE	
0041	258705	COIN CHUTE SUPPORT	
0042	090148	CLIP	
0043	090020	WHIPPING MM 16	
0044	259465	LOCK SUPPORT	

posLbl	Item	Description	
0045	261066	CONNECTING WIRE IRDA-CPU	
0046	258883	RIELDA ANTI-TAMPER LOCK	
0047	255491	WASHER 4.3X12	
0048	255829	LOCK RIELDA	
0049	091959	BENZING COLLAR DIAM 4MM	
0050	255028	SELF-TAPPING SCREW 3,9X9,5	
0051	259222	SCREW M6X20	
0052	259223	TOOTHED WASHER	
0053	251974	BOX COVER	
0053	261622	BOX COVER	
0054	258703	COUNTERSUNK HEAD SCREW M4X10	
0055	255494	WIRING PROTECTION	
0056	256010	COIN INSERT LEVER	
0057	256405	CHUTE COIN SLOT-SLIDE VERS.-	
0058	256404	ENDPIECE COIN SLOT CHUTE	
0059	257325	CLIP FOR COIN CHUTE	
0060	256612	COIN SLOT CHUTE ASSY.	
0061	259410	DOOR RESTRAINING SUPPORT	
0062	259507	DOOR RESTRAINING SUPPORT	
0063	098833	BUFFER	
0064	255029	SCREW M4X10	
0065	255724	SELF-TAPPING SCREW 4X8	
0066	256059	COIN DEVIATOR	
0067	255828	COIN CHUTE	
0068	096094	NUT	
0069	253921	BDV COIN MECHANISM WIRING	
0070	261248	SUPPORT CARD	
0071	261249	BLUERED CARD	



posLbl	Item	Description	
0001	250368	SPOUT SUPPORT	
0002	252460	FAN - 5500R/M -0.23A-	
0003	253997	FAN ADHESIVE SEAL	
0004	255814	NOZZLE ASSY WIRING	
0005	255779	NOZZLE MOVEMENT COVER	
0006	0V1931	MICROSWITCH 'UL'	
0007	251519	CRANK	
0008	255820	NOZZLE MOTOR	
0009	0V3698	USED DOSE DISCHARGE PIPE	
0010	094048	BAG LOCK COLLAR	
0011	093828	KNURL	
0012	0V4226	NOZZLE TRANSLATOR ARM	
0013	0V3655	ARM ROTATION PIN	
0014	255830	FOOT COVER ASSY.	
0015	252124	4 FEET KIT	
0016	255769	NOZZLE MOVEMENT ROD	
0017	255140	M4 HEXAGONAL INSERT	
0018	098600	CHOCK	
0019	255028	SELF-TAPPING SCREW 3,9X9,5	
0020	259100	OPERA ES UNIT ASSEMBLY -2ES	
0021	252968	CABLE RETAINER	
0022	098484	HOSE FIXING	
0023	098459	WIRE-CLIP	
0024	259498	M8 HEX NUT	
0025	252585	MICROSWITCH	
0026	094294	FLOAT	
0027	090681	INSULATING DISK.	
0028	093312	WHIPPING DIAM MM 12 ART 46	
0029	258569	BLACK SILICONE TUBE 15X20-50CM-	
0030	259397	SHIM	
0031	256785	WASHER PNAL 14X24	
0032	094111	INSULATING DOLLY BLOCK	
0033	252460	FAN - 5500R/M -0.23A-	
0034	987610	EJOT-PT-SCREW 50X16	
0035	258903	INTERNAL LAMP ASSEMBLY	
0036	260655	POWER SUPPLY	
0037	252621	TWO-POLE SWITCH	
0038	260766	SERVICE LED PIPE	
0039	260765	SERVICE LED WIRING	

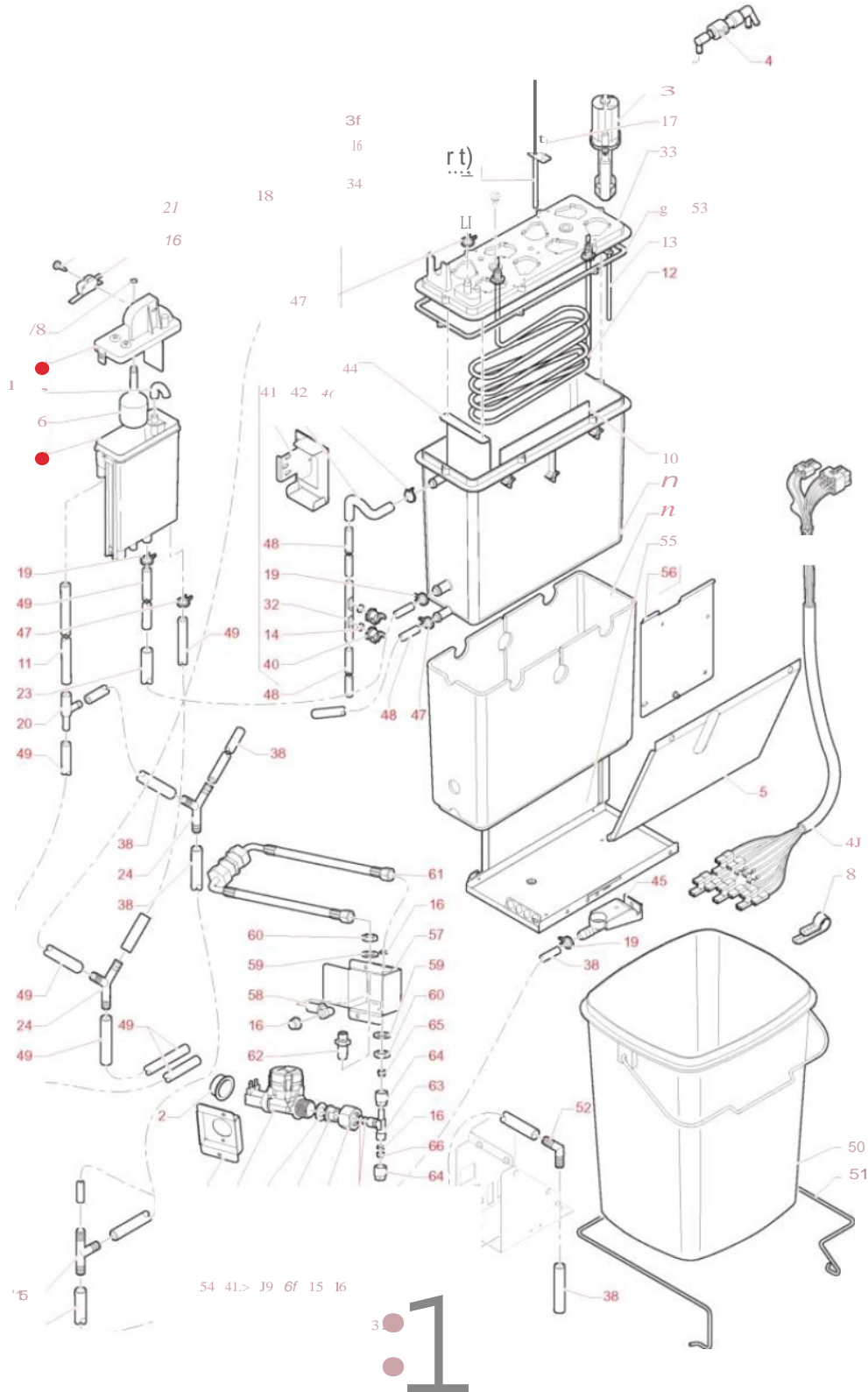
posLbl	Item	Description	
0001	098796	TERMINAL BOARD	
0002	254852	FUSE HOLDER	
0003	095636	FUSE 15 A	
0004	097175	CARD SPACER	
0005	255822	ELECTRIC PANEL ASSEMBLY	
0006	093312	WHIPPING DIAM MM 12 ART 46	
0007	0V3512	ELECTRICAL NET FILTER	
0008	0V2143	BOILER CONTROL BOARD	
0009	097242	SUB-TERMINAL BOARD	
0010	097241	3-POLE TERMINAL BOARD W/CARRIER	
0011	098793	5P TERMINAL BOARD WITH FUSE-HOLDER	
0012	098170	FUSE T6,3AMP	
0013	097097	FUSE 2 AMP.5X20 DELAYED ACT	
0014	254850	SWITCH HOLDER	
0015	098600	CHOCK	
0016	255310	CONTROLS CARD	
0017	255302	TRANSFORMER	
0018	090148	CLIP	
0019	097796	SWITCH	
0020	0V1654	SWITCH KEY	
0021	255809	GENERAL WIRING -ES-	
0022	098459	WIRE-CLIP	
0023	098484	HOSE FIXING	
0024	252968	CABLE RETAINER	
0025	0V3202	OUT/R CARD, 6 RELAYS	
0026	255077	SWITCH BOARD ES-FB	
0027	257523	WIRING DOUBLE GRINDER ADJUSTMENT	
0028	255494	WIRING PROTECTION	
0029	254040	TRANSFORMER G49/26-PLUS/TOP-	
0030	096921	POWER POINT 10 AMP	
0031	255140	M4 HEXAGONAL INSERT	
0032	298088	TWO-POLE RELAY	
0033	258604	ELECTRIC PANEL ASSY. -IN/FB-	
0034	258601	FB/IN GENERAL WIRING	
0035	254053	CONTROL BOARD	
0036	258606	ELECTRIC PANEL COVER	



posLbl	Item	Description	
0001	0V1133	AIR-BREAK ASSEMBLY	
0002	256522	ASSY. BOILER 5 SOLENOIDS	
0003	259928	5 SOL.VALVE ASS. 2+2+2+2+3-WAY 24V+WAND-STAINLESS STEEL INSE	
0004	250283	BOILER PIPE	
0005	258827	FASTENING CLIP	
0006	0V1126	AIR-BREAK FLOAT	
0007	0V1749	WATER/AIR-BREAK CONNECTION	
0008	099012	RUBBERHOLDER UNION	
0009	094594	GASKET O-RING 2031	
0010	255772	CONDUCTOR PLATE	
0011	261358	BOILER OUTLET UNION \varnothing STAINLESS STEEL	
0012	257077	OR 2037-1.78X9.25	
0013	259864	BOILER INSULATION RIGHT/LEFT ASSY.	
0014	258904	6-1/8 L-SHAPED JOINT WITH O-RING	
0015	298093	COFFEE-ELECTROV. CONNECTION PIPE-HIGH PERFORMANCE-	
0016	255832	BOILER WITH HEATING ELEMENT 1500W	
0017	255248	TEMPERATURE PROBE	
0018	257998	OR 2037 9.25X1.78	
0019	255571	COFFEE COIL	
0020	099105	COFFEE-ELECTROV. CONNECTION PIPE	
0021	097472	3-WAY ELECTROVALVE NUCLEUS -VITON-	
0022	257106	COIL POWDER 10W	
0023	258874	2-WAY ELECTROVALVE SLEEVE W/O RING -VERS.24V-HIGH PERF.-	
0024	099059	VALVE-BUSH-GASKET	
0025	099058	NUCLEUS INSTANT-E.V.	
0026	0V1141	MICROSWITCH	
0027	255029	SCREW M4X10	
0028	0V0782	O-RING 2025	
0029	097529	SILICONE HOSE 3X6 BROWN	
0030	256249	CAPILLARY THERMOSTAT LM8 140°C	
0031	094231	UNION T-SHAPE	
0032	097510	SILICONE HOSE 5X9 BROWN	
0033	098815	90 DEGREESTHERMIC PROTECTION	
0034	094329	HOSE CLIP	
0035	257112	PUMP 15BAR GLOW WIRE-PLASTIC-	
0036	39404001	CABLE GLAND DIA. 9	
0037	099101	NO-RETURN VALVE	
0038	098764	BY-PASS PUMP (12 BAR)	
0039	099107	NUT	
0040	0V0191	POMPE SUPPORT	
0041	093091	PUMP DAMPER	
0042	258625	VOLUMETRIC COUNTER D.1,8 -WHITE-	
0043	255816	BOILER WIRING-ES-	
0044	255446	WATER INLET ELECTROVALVE SUPPORT	

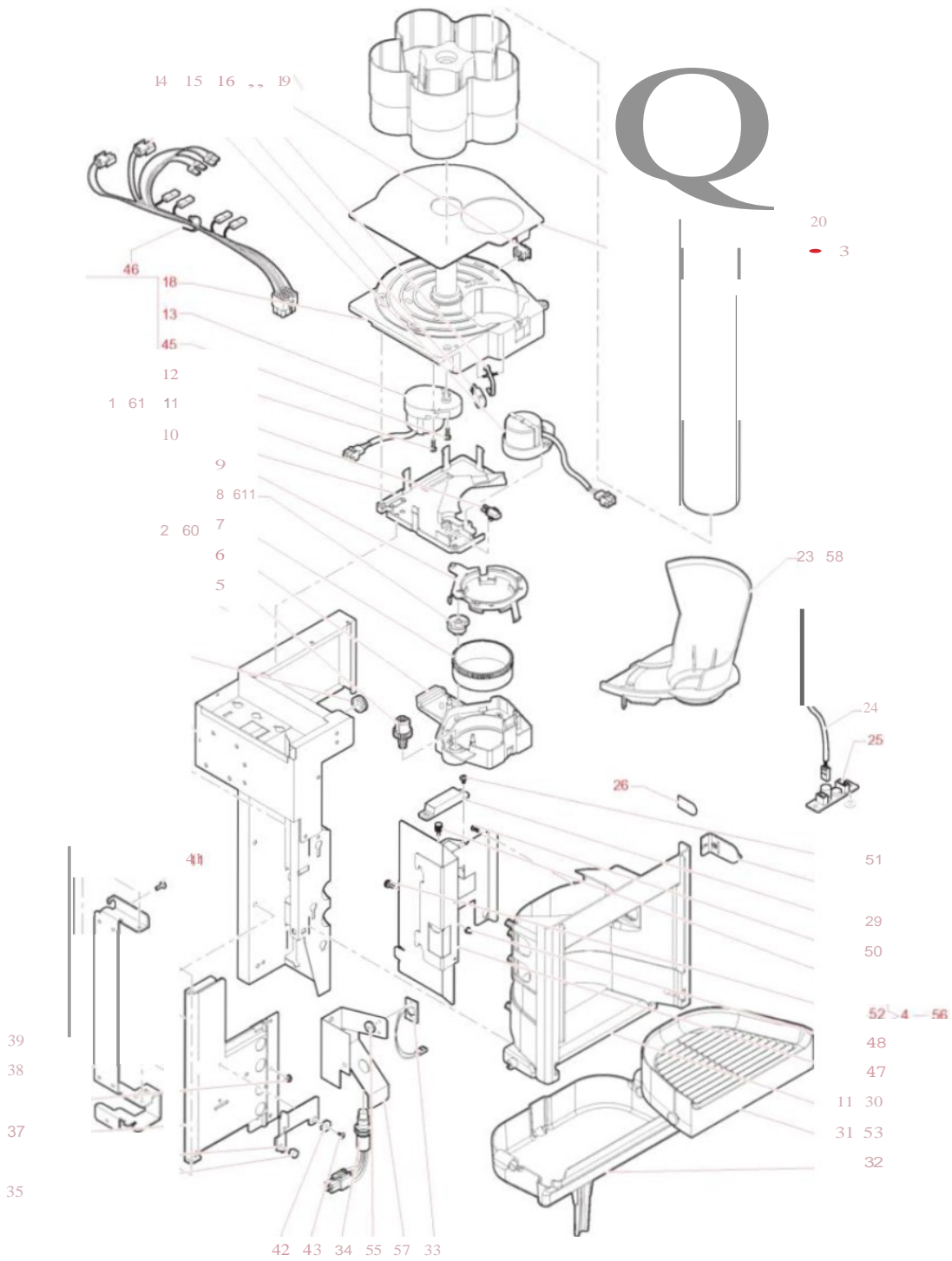
posLbl	Item	Description	
0045	099815	STOPPER	
0046	097383	ELECTROVALVE WATER-INLET 220V-2,5L/MIN-	
0047	095515	HOSE CLIP DIAM 14	
0048	097685	SILICONE HOSE BROWN 7,5X12	
0049	097512	SILICONE HOSE 6X12 BROWN	
0050	254569	BLUE GROUND BUCKET	
0051	0V3653	LIQUID CONTAINER STOP	
0052	094571	UNION 90 DEGREES	
0053	093628	HOSE VIPLA TRANSPARENT DIAM MM 14X1	
0054	094294	FLOAT	
0055	090681	INSULATING DISK.	
0056	252585	MICROSWITCH	
0057	096552	UNION T-SHAPE	
0058	258915	39X5CM CLAMP	
0059	097515	SILICONE HOSE 10X16 BROWN	
0060	257049	CAP FEM. 6 DEP.	
0061	0V1953	INSTANT-ELECTROV. CONNECTION PIPE	
0062	097435	WATER FILTER VOLUMETRIC COUNTER	
0063	094185	CODENSE RECOVERY UNION	
0064	097002	HOSE CLIP	
0065	257878	ASSY. BOILER BRACKET -5 EV.-	
0066	093957	TUBE CLAMP	
0067	261357	CAP ∩ STAINLESS STEEL	
0068	259088	500CC BOILER SUPPORT	
0069	098165	WIRE-FIXING	
0070	255724	SELF-TAPPING SCREW 4X8	
0071	093171	OUTER FIXING COLLAR DIAM MM6	
0072	094611	GASKET O-RING 2018	
0073	252658	TEFLON PIPE 3X6 (A METER)	
0074	252021	PIPETTE	
0075	099805	STOPPER	
0076	254429	PIPETTE D. 4.5	
0077	0V2058	BRACKET WATER CONNECTION	
0078	298201	HOSE STOP	
0079	255168	WATER FILTER FOR VOLUM. COUNTER	
0080	260822	BOILER SHELF ASSEMBLY Z4000 BIG-5 SOL.VA.-	
0081	0V0465	PUMP 220V - 60 HZ	
0082	254333	BOILER NOZZLE	
0083	092652	LOCK NUT 1/4 REV	
0084	094597	COPPER WASHER	
0085	0V4252	CONNECTIONS SUPPORT	
0086	092364	INLET UNION GASKET 3/4	
0087	093952	WATER INLET CONNECTION NIPPLE	
0088	092387	TIGHTENING NUT	

posLbl	Item	Description	
0089	092388	TIGHTENING RING	
0090	093951	TIGHTENING NUT G 3/4	
0091	096656	PLUG COLLAR	
0092	092651	INTERMEDIATE ELBOW LINK	
0093	260534	BASE PLATE WITH 5 SOLENOID INSERT-FOR WAND-	
0094	298192	OR 2026 SEAL	
0095	0V2199	UNION 1/4	
0096	261604	ARMORED HOSE -600MM-	
0097	095586	BANJO UNION T-SHAPE	
0098	256785	WASHER PNAL 14X24	
0099	260398	SCREW M4X35	
0100	A-0136	TOOTHED WASHER EXT. 4.3 DIN 6798	
0101	261250	SUPPORT FOR FILTER WATER INLET SOLENOID	



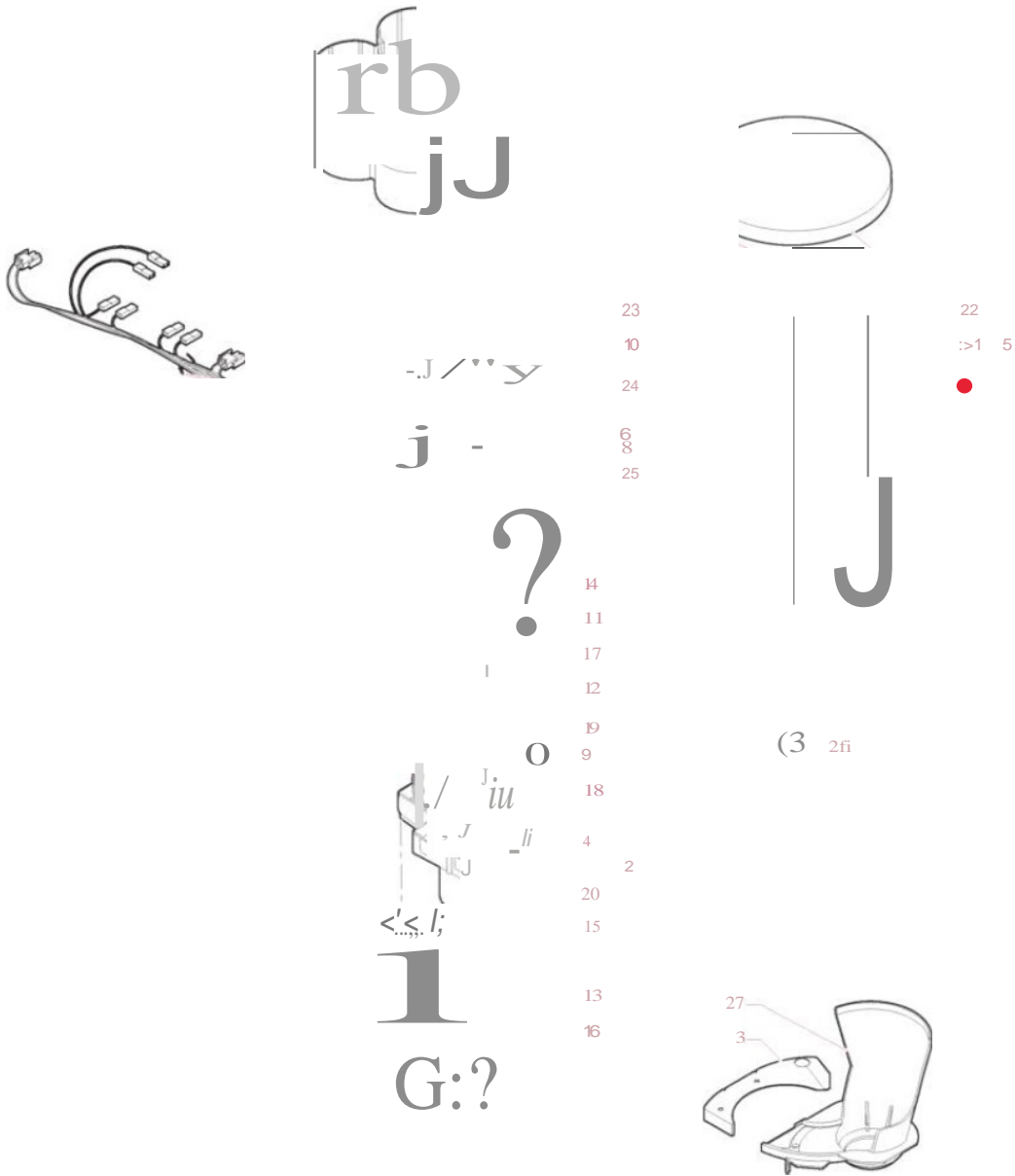
posLbl	Item	Description	
0001	0V1133	AIR-BREAK ASSEMBLY	
0002	099815	STOPPER	
0003	097510	SILICONE HOSE 5X9 BROWN	
0004	254065	SAFETY-VALVE	
0005	258791	POWDER BOILER COVER	
0006	0V1126	AIR-BREAK FLOAT	
0007	0V1749	WATER/AIR-BREAK CONNECTION	
0008	091420	ADJUSTABLE COLLAR	
0009	254790	BOILER SEAL	
0010	257719	BOILER PROTECTION CANTO	
0011	097515	SILICONE HOSE 10X16 BROWN	
0012	257721	HEATING ELEMENT BOILER 2180W 230V	
0013	257723	CONTRAST STUD BOILER	
0014	094597	COPPER WASHER	
0015	093951	TIGHTENING NUT G 3/4	
0016	099805	STOPPER	
0017	255036	PLAIN TIP SELF-TAPPING SCREW 4X12 -INOX-	
0018	0V2074	THERMOSTAT ACTUATOR	
0019	254109	HOSE CLIP DIAM. 19	
0020	094185	CODENSE RECOVERY UNION	
0021	254033	BOILER INSULATION	
0022	253986	BOILER BODY	
0023	258474	CORRUGATED PIPE D.16.5	
0024	093959	UNION Y-SHAPE DIAM 12 OUTER	
0025	096552	UNION T-SHAPE	
0026	0V1141	MICROSWITCH	
0027	255029	SCREW M4X10	
0028	0V0782	O-RING 2025	
0029	252585	MICROSWITCH	
0030	090681	INSULATING DISK.	
0031	094294	FLOAT	
0032	099458	TUBE FOR 2 THERMOSTAT	
0033	257720	BOILER LID	
0034	254056	PROBE	
0035	254072	PUMP WITH BOARD	
0035	259029	PUMP WITHOUT CARD	
0036	253988	BOILER COVER STOPPER	
0037	251891	BULB THERMOSTAT	
0038	093628	HOSE VIPLA TRANSPARENT DIAM MM 14X1	
0039	092364	INLET UNION GASKET 3/4	
0040	0V2129	THERMOSTAT 82 C	
0041	253962	ANTI-BOIL SUPPORT BRACKET	
0042	255143	PIPE GUIDE SPIRAL D.12	
0043	257705	WIRING BOILER WITH SHIELD	

posLbl	Item	Description	
0044	257505	BULKHEAD BOILER	
0045	0V4213	RUBBER PIECE HOLDER	
0046	097383	ELECTROVALVE WATER-INLET 220V-2,5L/MIN-	
0047	095515	HOSE CLIP DIAM 14	
0048	097685	SILICONE HOSE BROWN 7,5X12	
0049	097512	SILICONE HOSE 6X12 BROWN	
0050	254569	BLUE GROUND BUCKET	
0051	0V3653	LIQUID CONTAINER STOP	
0052	094571	UNION 90 DEGREES	
0053	258609	4 PUMP FB BOILER ASSEMBLY	
0054	255446	WATER INLET ELECTROVALVE SUPPORT	
0055	257504	BOILER SUPPORT ASSY.	
0056	261334	AIR BREAK SUPPORT ASSEMBLY	
0057	260342	H2O UK SOLENOID VALVE SUPPORT	
0058	092651	INTERMEDIATE ELBOW LINK	
0059	256785	WASHER PNAL 14X24	
0060	092652	LOCK NUT 1/4 REV	
0061	261604	ARMORED HOSE -600MM-	
0062	0V2199	UNION 1/4	
0063	095586	BANJO UNION T-SHAPE	
0064	092387	TIGHTENING NUT	
0065	092388	TIGHTENING RING	
0066	096656	PLUG COLLAR	
0067	093952	WATER INLET CONNECTION NIPPLE	

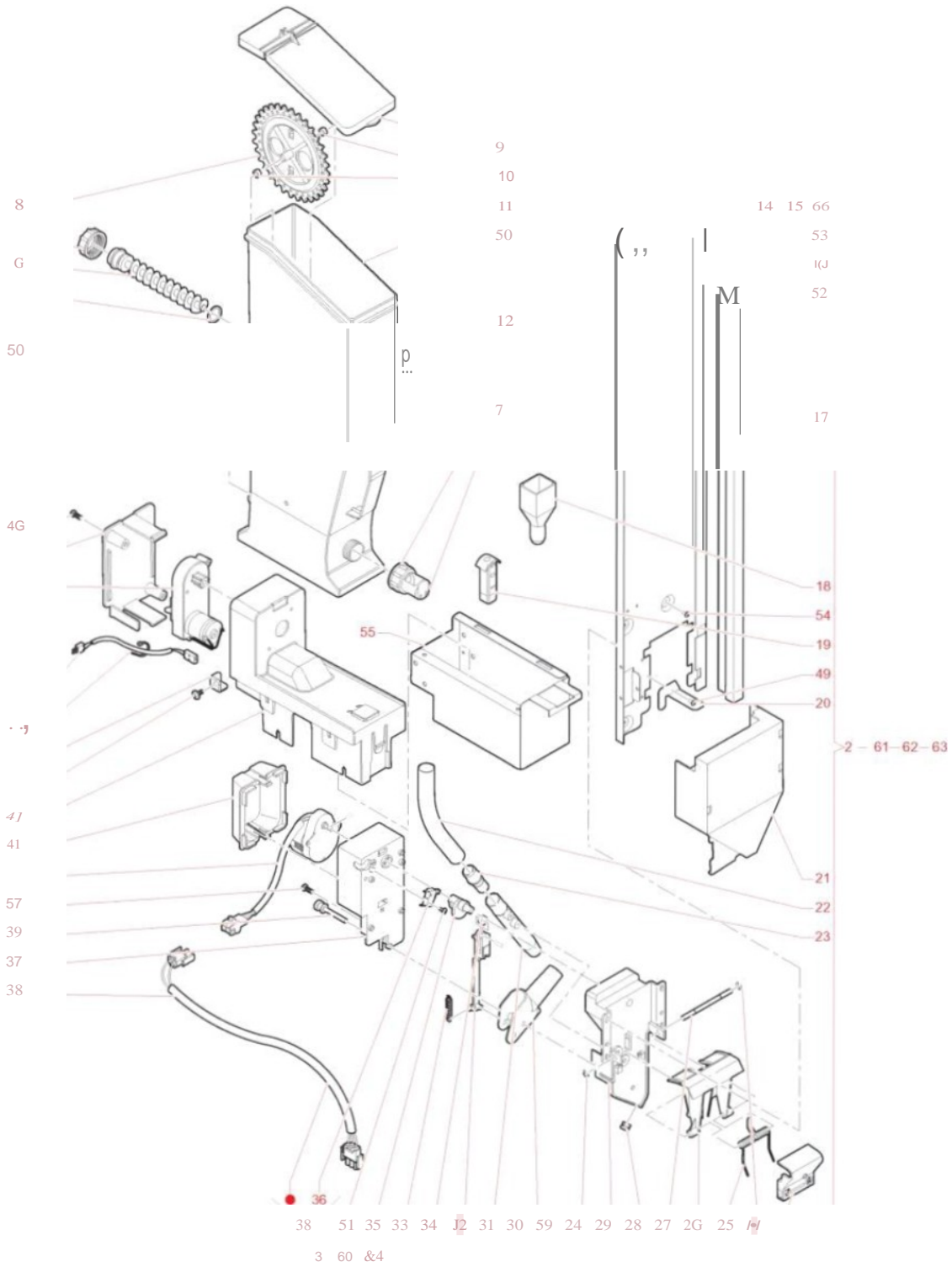


posLbl	Item	Description	
0001	254077	CUPS DISTRIBUTOR D.70-71	
0002	0V4187	CUP RELEASING 70/71	
0003	252011	CUPS-CONTAINER	
0004	255831	DISPENSING COMPARTMENT ASSY	
0005	0V3697	MICRO GEAR	
0006	0V3695	SNAIL SUPPORT	
0007	098477	TOOTHED RING	
0008	098305	SCROLL DIAM.70/71	
0009	0V3696	SNAIL RING	
0010	0V3694	MOTOR GEARMOTOR SUPPORT	
0011	0V1931	MICROSWITCH 'UL'	
0012	987628	EJOT-PT-SCREW 3X8	
0013	0V3672	RATIOMOTOR	
0014	254049	CUPS UNIT WIRING	
0015	255251	REDUCING GEAR 3RPM 230V-50HZ	
0016	092439	MICRO TYPE 'CHERRY'	
0017	0V2548	LEVER FOR MICROSWITCH	
0018	0V3693	CUP BASE	
0019	097807	BUTTON	
0020	0V3658	CUP CONTAINER COVER	
0021	255801	DISPENSING COMPARTMENT BACK	
0022	0V4107	CONTAINER BASE	
0023	250195	BLACK CUP CHUTE 70/71	
0024	254050	DELIVERY AREA LAMP WIRING	
0025	253945	POWER SUPPLY LED BOARD	
0026	254208	CATADIOPTRIC PLATE	
0027	0V3717	GLASS	
0028	093916	WHIPPING OVAL	
0029	097508	LOCKING MAGNET	
0030	256519	BACK DISPENSING COMPARTMENT LIGHT +PHOTOCELL	
0031	255802	DISPENSING COMPARTMENT GRID	
0032	255781	DISPENSING COMPARTMENT BASIN	
0033	254052	COMPARTMENT ILLUMINATION LED	
0034	258001	WIRED 90° PHOTOCCELL	
0035	092738	WEDGE BUMPER	
0036	0V3649	BRACKET LOCK-OUT LEVER	
0037	0V3685	DOUBLE HINGE	
0038	0V3641	HINGE SUPPORT	
0039	0V3654	FULCRUM PIN	
0040	0V3684	CUP STATION BRACKET	
0041	255029	SCREW M4X10	
0042	259148	SHIM	
0043	255725	SELF-TAPPING SCREW 3.9X13	
0044	255044	NUT M5	

posLbl	Item	Description	
0045	253839	SELF-TAPPING SCREW 3X12	
0046	090148	CLIP	
0047	259284	DISPENSING COMPARTMENT BACK SUPPORT	
0048	255140	M4 HEXAGONAL INSERT	
0049	096977	KNURL	
0050	255034	PLAIN TIP SELF-TAPPING SCREW 4X12	
0051	255028	SELF-TAPPING SCREW 3,9X9,5	
0052	252948	KNURLED NUT	
0053	258576	RAISED DISPENSING COMPARTMENT RACK	
0054	255240	CUPS RELEASE COVER	
0055	093999	COVERING FASTENING SCREW WASHER	
0056	259828	RAISED DISPENSING COMPARTMENT ASSEMBLY	
0057	260544	COMPARTMENT PHOTOCCELL SUPPORT	
0058	0V4266	BLACK CUP CHUTE 73/74	
0059	0V1659	SNAIL W/DIAM. 73-74	
0060	0V4190	CUP RELEASING 73/74	
0061	254575	CUPS DISTRIBUTOR 73/74	

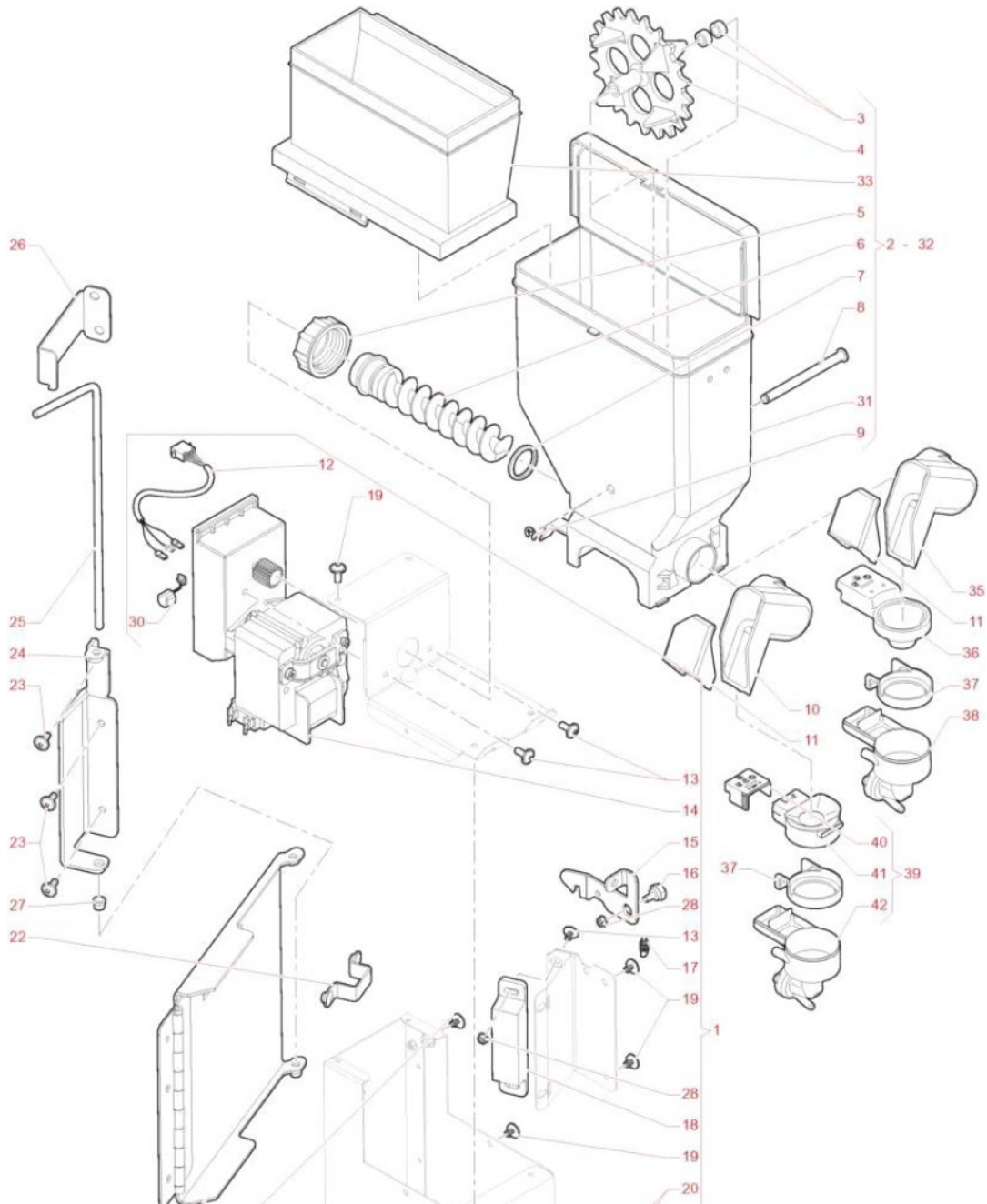


posLbl	Item	Description	
0001	256007	12OZ CUP DISPENSER ASSY.	
0002	253867	CUP RELEASING -12OZ- 230V	
0003	260397	CUP CHUTE COVER 12OZ	
0004	252560	CUP RELEASING WIRING	
0005	252912	CUPS-CONTAINER-12OZ-	
0006	256008	12OZ CUP DISPENSER ASSY. WIRING	
0007	090681	INSULATING DISK.	
0008	0V3672	RATIOMOTOR	
0009	097807	BUTTON	
0010	252552	CUP BASE -12 OZ-	
0011	0V2548	LEVER FOR MICROSWITCH	
0012	092439	MICRO TYPE 'CHERRY'	
0013	255251	REDUCING GEAR 3RPM 230V-50HZ	
0014	259930	RELEASE LID 12 OZ	
0015	096355	MICRO SWITCH -UL -	
0016	252556	MOTOR COVER	
0017	252557	SCROLL DIAM.80/81	
0018	252559	TOOTHED RING -12 OZ-	
0019	252558	PINION	
0020	252554	LOWER SHELL -12 OZ-	
0021	252551	CONTAINER BASE -12 OZ-	
0022	0V3658	CUP CONTAINER COVER	
0023	259374	SCREW M4X45	
0024	259231	NUT M4	
0025	090148	CLIP	
0026	256247	ENDLESS SCREW FOR CUPS D.80/81 (D.INF.75)	
0027	252785	CUPS CHUTE -12 OZ-	



posLbl	Item	Description	
0001	255836	SUGAR CONTAINER 4.5L	
0002	257278	DISTRIBUTOR SUGAR/STIRRERS-WEIGHT 92MM-	
0003	255826	SUGAR/STICK DISTR. ASSY. BODY	
0004	254093	4.5L CONTAINER WHEEL PIVOT	
0005	257853	WASHER CONTAINER	
0006	254085	SCROLL PITCH 30	
0007	254090	CONTAINER RING NUT	
0008	254087	TOOTHED WHEEL	
0009	254583	SUGAR CONTAINER COVER 4.5L	
0010	254094	SPACER	
0011	254562	SUGER CONTAINER CASING	
0012	254089	PIN STOP	
0013	254086	POWDER PIPETTE	
0014	090203	STIRRER BAR WEIGHT L=95	
0015	099720	STIRRER BAR WEIGHT L=105	
0016	251977	STIRRER CLOUMN	
0017	251982	STIRRER ROD	
0018	255788	CUP STATION SUGAR PIPETTE	
0019	253994	CENTRAL CONVEYOR -105MM-	
0020	0V3830	STIRRING GUIDE SQUARE	
0021	0V3022	STIRRER CHUTE	
0022	098719	PVC PIPE 14X19(A METER)	
0023	099375	HOSE COUPLING	
0024	091959	BENZING COLLAR DIAM 4MM	
0025	099602	SPRING	
0026	099610	LEVER	
0027	098352	STIRRING BARS EJECTING PIN	
0028	098853	PASS-WIRE	
0029	099607	BODY	
0030	099721	SUGAR NOZZLE	
0031	098356	SUGAR PIPE	
0032	099605	ROD	
0033	099616	SPRING	
0034	099604	ROLLER	
0035	099606	CAM	
0036	096355	MICRO SWITCH -UL -	
0037	099608	SUPPORT	
0038	255815	STICK DISTRIBUTOR WIRING	
0039	0V2949	SUGAR SPOUT PIN	
0040	255314	STIRRERS REDUCING GEAR	
0041	255778	SUGAR RELEASE MOTOR COVER	
0042	254535	CONTAINER SHELF	
0043	254550	SUGAR DOSING UNIT WIRING	
0044	254553	RATIOMOTOR	

posLbl	Item	Description	
0045	254545	MOTOR HOUSING COVER	
0046	259058	SELF-TAPPING SCREW 4X16	
0047	090148	CLIP	
0048	255598	EDGE PROTECTION	
0049	255028	SELF-TAPPING SCREW 3,9X9,5	
0050	257518	CAP CONTAINER	
0051	258942	2.2X13 SELF-TAPPING SCREW	
0052	255029	SCREW M4X10	
0053	259231	NUT M4	
0054	255027	SELF-TAPPING SCREW 3,9X6,5	
0055	259505	SUGAR SHELF SUPPORT	
0056	260817	SPRING PROTECTION	
0057	260131	SCREW 4X30	
0058	252034	115 MM STIRRER BAR WEIGHT	
0059	253854	SUGAR NOZZLE-VERS. 12OZ-	
0060	260519	SUGAR/STIRRER DISTRIBUTOR UNIT ASSEMBLY - 12OZ -	
0061	260518	SUGAR/STIRRER DISTRIBUTOR ASSEMBLY -12OZ-	
0062	261329	SUGAR/PALETTE DISTRIBUTOR-WEIGHT 115MM-	
0063	260535	STIRRER DISTRIBUTOR ASSY.	
0064	260536	STIRRER DISTRIBUTOR BODY	

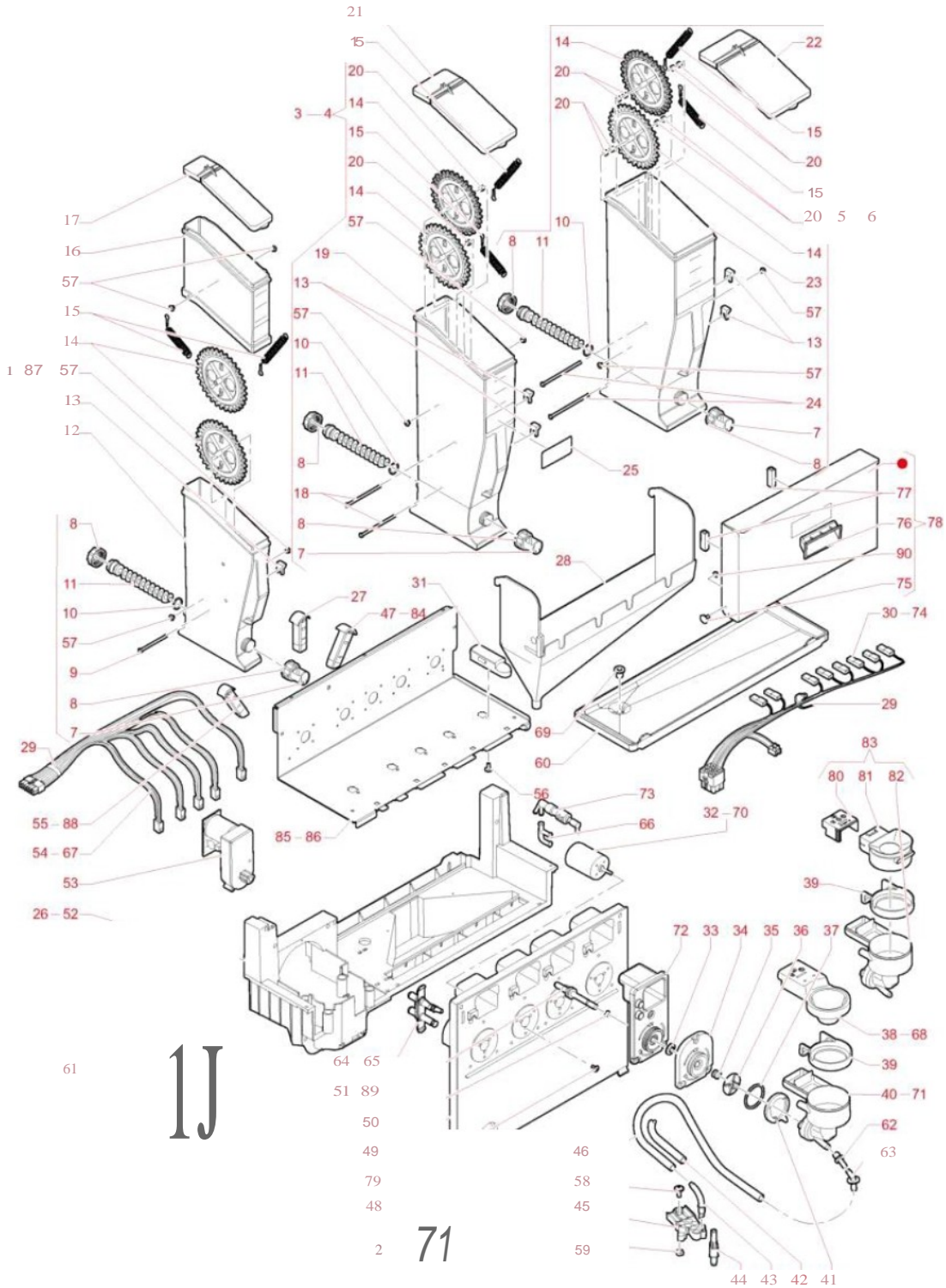


21



19

posLbl	Item	Description	
0001	257279	ASSY. SIDE SHELF	
0002	257280	ASSY, SIDE CONTAINER	
0003	098812	SPACER	
0004	250269	TOOTHED WHEEL	
0005	095849	CONTAINER RING NUT	
0006	250268	SCROLL L=9.7CM	
0007	095829	GASKET O-RING	
0008	0V1962	PIN FOR WHEEL	
0009	091959	BENZING COLLAR DIAM 4MM	
0010	260045	LEFT POWDER CONVEYOR	
0011	255565	POWDER CONVEYOR LID	
0012	257273	WIRING CONTAINER	
0013	255029	SCREW M4X10	
0014	0V3673	SUGAR RATIONMOTOR 52 RPM	
0015	255562	SHELF LOCK LEVER	
0016	090615	COLLAR SCREW	
0017	987839	RETURN SPRING	
0018	097508	LOCKING MAGNET	
0019	255027	SELF-TAPPING SCREW 3,9X6,5	
0020	255598	EDGE PROTECTION	
0021	257277	ARM WITH HINGE	
0022	257263	CLIP SIDE SHELF	
0023	255937	SCREW M4X14	
0024	257264	HINGE SIDE CONTAINER	
0025	257265	PIN SIDE CONTAINER	
0026	255563	SHELF PIN STOP	
0027	097606	EFFECTER BUSH	
0028	259231	NUT M4	
0029	255035	SCREW M3X4	
0030	096653	ANTITEAR WHIPPING	
0031	259396	CONTAINER	
0032	259287	SIDE CONTAINER ASSEMBLY WITH EXTENSION	
0033	259288	CONTAINER EXTENSION	
0034	259505	SUGAR SHELF SUPPORT	
0035	255564	LH POWDER CONVEYOR	
0036	255792	MIXER COVER	
0037	255284	MIXER RING	
0038	255791	MIXER BODY	
0039	260546	NEW MIXER ASSEMBLY	
0040	259436	MIXER REAR COVER	
0041	259437	MIXER FRONT COVER	
0042	259438	MIXER BODY	



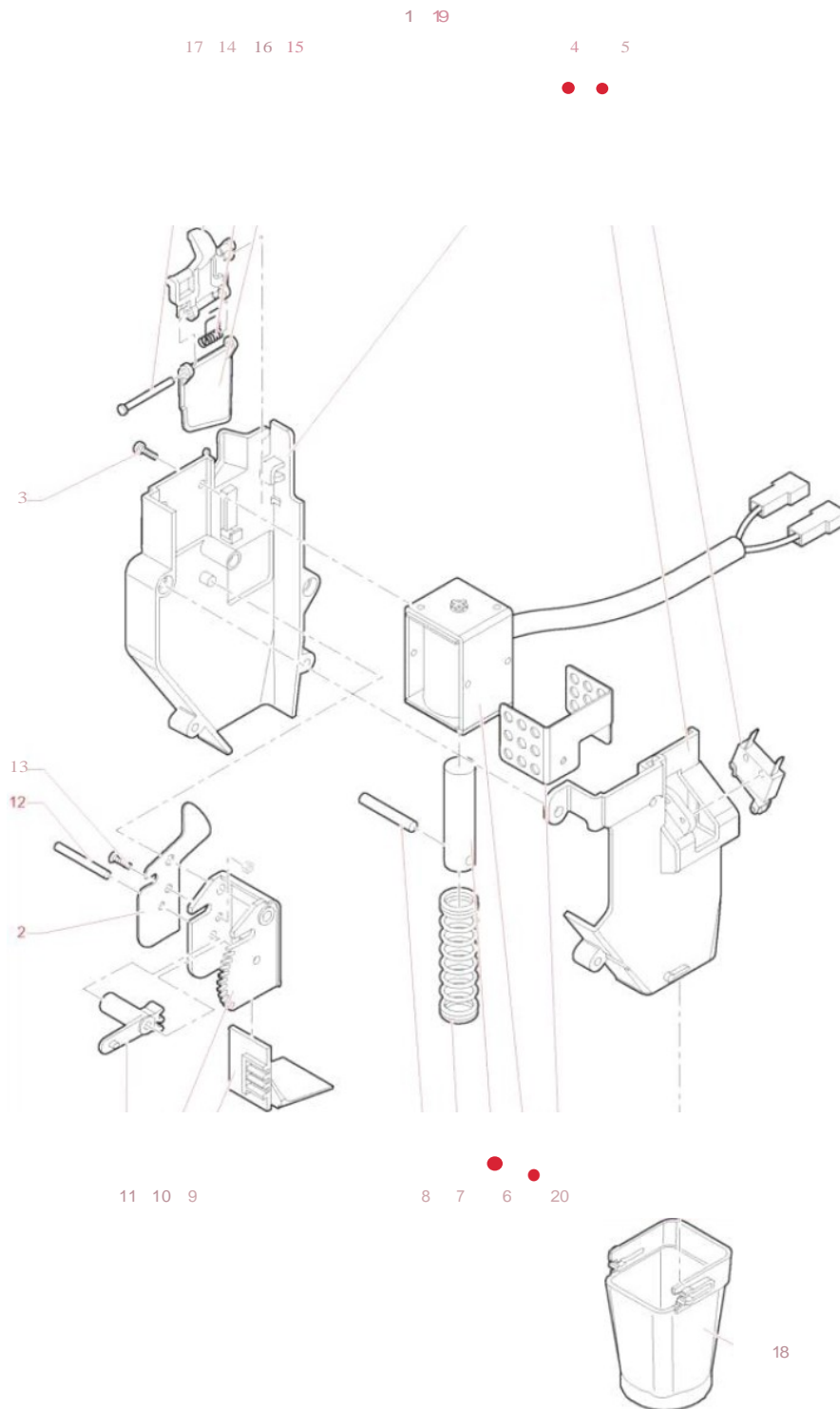
posLbl	Item	Description	
0001	254073	2.5L CANISTER -1 WHEEL-	
0002	255028	SELF-TAPPING SCREW 3,9X9,5	
0003	254074	4.5L CANISTER -1 WHEEL-	
0004	254215	4.5L CANISTER -2 WHEELS-2 SPRINGS-	
0005	254075	6L CANISTER -2 WHEELS-2 SPRINGS-	
0006	254214	6L CANISTER -1 WHEEL-	
0007	254086	POWDER PIPETTE	
0008	254090	CONTAINER RING NUT	
0009	254088	2.5L CONTAINER WHEEL PIVOT	
0010	257853	WASHER CONTAINER	
0011	254085	SCROLL PITCH 30	
0012	254082	2.5L LOWER CONTAINER CASING	
0013	254089	PIN STOP	
0014	254087	TOOTHED WHEEL	
0015	254419	BEATER SPRING	
0016	254084	2.5L UPPER CONTAINER CASING	
0017	254083	LID FOR 2.5L CONTAINER	
0018	254093	4.5L CONTAINER WHEEL PIVOT	
0019	254091	4.5L CONTAINER CASING	
0020	254094	SPACER	
0021	254092	LID FOR 4.5L CONTAINER	
0022	254096	LID FOR 6L CONTAINER	
0023	254095	6L CONTAINER CASING	
0024	254097	6L CONTAINER WHEEL PIVOT	
0025	097502	NAMEPLATE GROUP CONTAINER INSTANT P	
0026	257557	SUPPORT GRINDER-CONTAINER 2ES	
0027	253994	CENTRAL CONVEYOR -105MM-	
0028	255780	MIXER BOWL	
0029	090148	CLIP	
0030	257704	WIRING BEATER WITH SHIELD	
0031	254719	HEATED CONTAINER STOP	
0032	259398	BLENDER MOTOR	
0033	39733800	MIXER WHISK BUSHING	
0034	255821	MIXER FLANGE	
0035	259612	V RING SEAL -BROWN-	
0036	253991	MIXER VENTILATOR	
0037	253985	GASKET OR 3137	
0038	255792	MIXER COVER	
0039	255284	MIXER RING	
0040	255791	MIXER BODY	
0041	253998	MIXER RING NUT	
0042	254566	SILICONE HOSE 3X6-BLUE-	
0043	254822	BLUE NOZZLE	
0044	254400	BLUE COFFEE DISPENSING SPOUT	

posLbl	Item	Description	
0045	250163	SPOUT SUPPORT	
0046	254565	SILICONE HOSE 5X9-BLUE-	
0047	253996	LEFT POWDER FEEDER L=120MM	
0048	250468	TRAY FUNNEL	
0049	255793	MIXER FRONT PLATE	
0050	253984	GASKET OR 2021	
0051	255787	MIXER NOZZLE D=2.3 9-11CC	
0052	255794	GRINDER -CONTAINER SUPPORT	
0053	254058	MOTORDOSER	
0054	255811	DOSER WIRING -ES-	
0055	255279	RIGHT-HAND CONVEYOR L=97MM	
0056	255724	SELF-TAPPING SCREW 4X8	
0057	257518	CAP CONTAINER	
0058	259321	HEXAGON SOCKET HEAD CAP SCREW M4X8	
0059	096094	NUT	
0060	258675	BASIN MIXER -IN-	
0061	254001	MIXER PLUG	
0062	097914	COFFEE CHOKE	
0063	253267	MIXER CONVEYOR CONNECTION	
0064	253999	SINGLE ORANGE NOZZLE (11-13CC)	
0065	254209	DOUBLE MAGENTA NOZZLE (19-22CC)	
0066	254002	NOZZLE COIL	
0067	254549	DOSERS WIRING -ES-FB-	
0068	253992	MIXER LID	
0069	298164	DRAIN UNION	
0070	254842	MOTORMIXER WITH BOARD	
0071	253989	MIXER BODY	
0072	253990	MIXER FLANGE	
0073	254065	SAFETY-VALVE	
0074	257703	WIRING BEATER WITH SHIELD	
0075	259230	MIXER COVER PIN	
0076	0V3659	HANDLE	
0077	250182	MAGNET	
0078	258792	MIXER SHELF COVER	
0079	261068	SCREW M4X7	
0080	259436	MIXER REAR COVER	
0081	259437	MIXER FRONT COVER	
0082	259438	MIXER BODY	
0083	260546	NEW MIXER ASSEMBLY	
0084	255280	LEFT.HAND CONVEYOR L=97MM	
0085	261013	5 CONTAINERS SHELF	
0086	260395	5-CONTAINER SHELF -VERS.2ES-	
0087	254574	2 SPRINGS 2 WHEELS 2.5L CANISTER	
0088	253995	RIGHT POWDER FEEDER L=120MM	

posLbl	Item	Description	
0089	099931	NOZZLE D.5	
0090	259231	NUT M4	

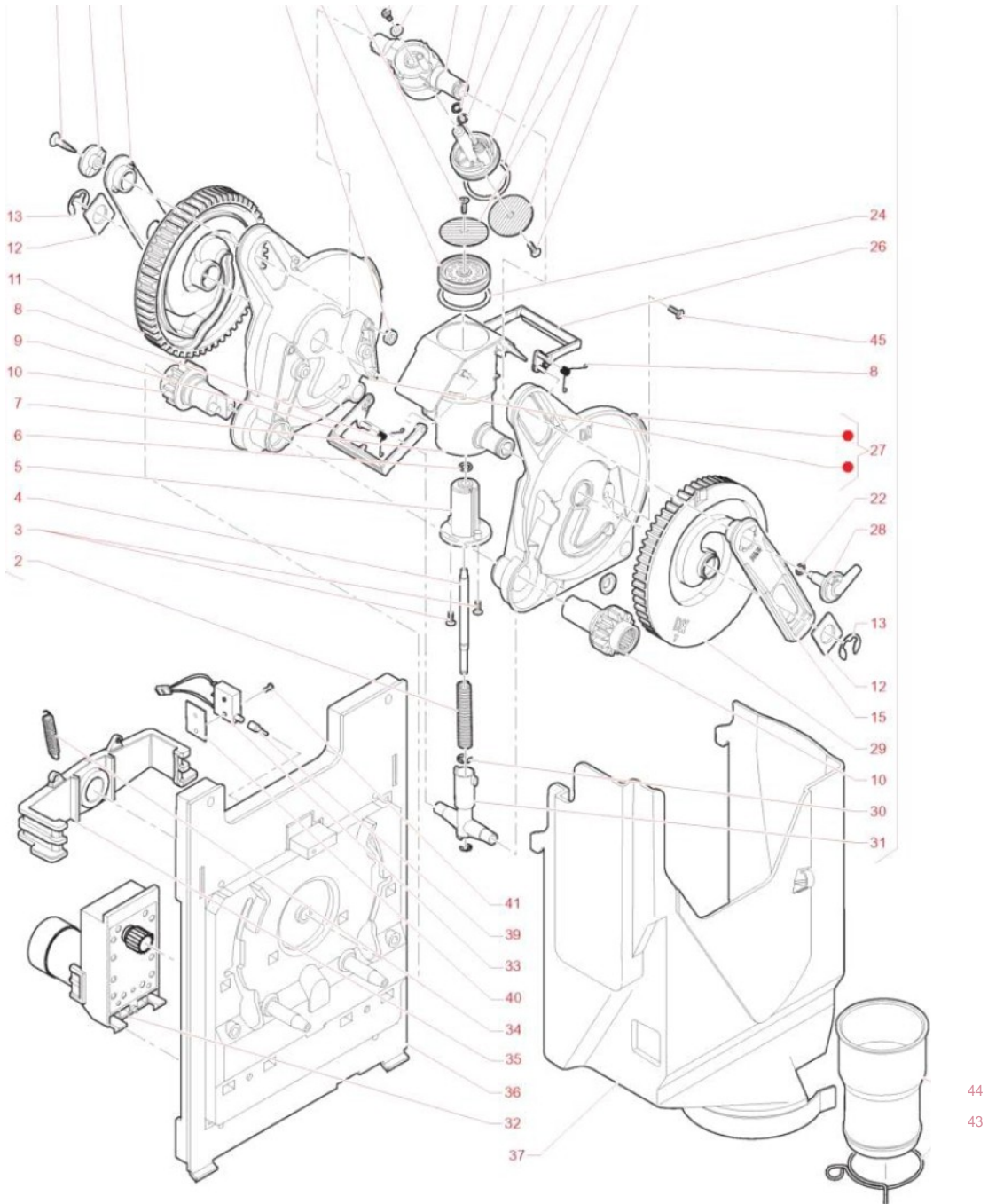
posLbl	Item	Description	
0001	255243	COUNTER-CLOCKWISE GRINDER	
0002	254424	COFFEE DOSER -FASTON-	
0002	259665	COFFEE DOSER -CONNECTOR-	
0003	0V3681	COFFEE CONTAINER	
0004	099484	LITTLE RUBBER	
0005	255786	GRINDER MOTOR COVER	
0006	251778	FEELER BOARD	
0007	298147	REDUCER BODY	
0008	298143	SCREW M5X16	
0009	259657	BELT GRINDER MOTOR -CONNECTOR-	
0010	255491	WASHER 4.3X12	
0011	298144	BELT SLIDE	
0012	298152	BELT	
0013	298151	PULLEY ASSEMBLY	
0014	298155	RADIAL BEARING	
0015	298148	GRINDER CAP -1 COFFEE-	
0016	099457	WASHER	
0017	093171	OUTER FIXING COLLAR DIAM MM6	
0018	099474	REGULATION SCREW	
0019	298145	GRINDER-HOLDER FAN	
0020	095840	GRINDER	
0021	255032	TREFOIL SCREW M4X10	
0022	255033	SELF-TAPPING SCREW 4X10	
0023	095805	GASKET O-RING	
0024	298149	GRINDER HOLDER	
0025	298146	GRINDER COLLAR	
0026	256793	WASHER	
0027	096988	WASHER	
0028	099471	SPRING	
0029	099472	LEFT SCREW	
0030	0V0421	COVER	
0031	098630	ROLL-UP FOR CONTAINER	
0032	255813	GRINDER WIRING -FASTON-	
0032	259662	GRINDER WIRING -CONNECTOR-	
0033	099475	ACTUATOR	
0034	092657	CLOSS SLOT SCREW 3X6TC .	
0035	251128	COFFEE DOSER-BODY	
0036	0V2131	BURGESS MICRO-SWITCH -FASTON-	
0036	259660	MICRO -CONNECTOR-	
0037	254834	SIDE BATCHER LID	
0038	098716	ELECTROMAGNET 220V -FASTON-	
0038	259664	DOSER SOLENOID -CONNECTOR-	
0039	098696	SPRING DOSER ELECTROMAGNET	
0040	093832	ROD PIVOT	

posLbl	Item	Description	
0041	098643	RULE COFFEE-DOSES	
0042	254427	SHUTTER COFFEE-DOSER+PLATE	
0043	253637	LEVER FOR RULE	
0044	098822	PIN FOR LEVER	
0045	254521	COFFEE CONVEYOR	
0046	256112	ANTICLOCKWISE RH GRINDER ASSY.-VERS.2ES	
0047	256109	RH GRINDER CAP-VERS.2ES	
0048	256113	ANTICLOCKWISE LH GRINDER ASSY.-VERS.2ES	
0049	256110	LH GRINDER CAP-VERS.2ES	
0050	255755	GRINDER MOTOR COVER 2ES	
0051	255753	CONTAINER LID 2ES	
0052	256108	SEPARATOR 50/50	
0053	256114	COFFEE CONTAINER ASSY. 2ES	
0054	258910	DOUBLE CONVEYOR	
0055	256111	TWO GRINDER WIRING-FASTON-	
0055	259659	TWO-GRINDER WIRING -CONNECTOR-	
0056	258911	DOCING UNIT ASSEMBLY REDUCED HEIGHT-FASTON-	
0056	259667	DOSER UNIT ASSEMBLY REDUCED HEIGHT -CONNECTOR-	
0057	256798	DOSER BODY ASSY.-REDUCED HEIGHT-	
0058	258795	RIGHT SELF-ADJUSTING GRINDER ANTICLOCKWISE	
0059	987948	LOCKING WASHER	
0060	257058	SCREW TSPC-H M3X6	
0061	258794	LEFT SELF-ADJUSTING GRINDER ANTICLOCKWISE	
0062	256073	SELF-TAPPING SCREW 2.2X9.5	
0063	254059	CUP TRANSLATOR MOTOR	
0064	258019	ENLARGED COFFEE CONTAINER 2ES	
0065	255754	CONTAINER 2ES	
0066	258021	CONTAINER 2ES EXTENSION	
0067	258020	ENLARGED CONTAINER 2ES PARTITION 50/50	
0068	099727	STOPPER	
0069	255029	SCREW M4X10	
0070	258793	SELF-ADJUSTING GRINDER ANTICLOCKWISE	
0071	259597	GRINDER SELF-ADJUSTMENT SCREW-L.140MM-	
0072	261213	BRUSHES	
0073	259813	GRINDER LOWER SUPPORT-2ES-	
0074	257326	SCREW FOR GRINDING SELF-ADJUSTMENT-L.155MM-	
0075	260131	SCREW 4X30	
0076	261064	MOTOR SECURING PLATE - 2 ES-	



posLbl	Item	Description	
0001	253678	VARIABLE COFFEE DOSER-FASTON-	
0001	259666	VARIABLE COFFEE DOSER -CONNECTOR-	
0002	253632	PLATE FOR COFFEE DOSER	
0003	092657	CLOSS SLOT SCREW 3X6TC .	
0004	251128	COFFEE DOSER-BODY	
0005	0V2131	BURGESS MICRO-SWITCH -FASTON-	
0005	259660	MICRO -CONNECTOR-	
0006	098716	ELECTROMAGNET 220V -FASTON-	
0006	259664	DOSER SOLENOID -CONNECTOR-	
0007	098696	SPRING DOSER ELECTROMAGNET	
0008	093832	ROD PIVOT	
0009	098643	RULE COFFEE-DOSES	
0010	253636	SLIDER	
0011	253637	LEVER FOR RULE	
0012	098822	PIN FOR LEVER	
0013	255047	SCREW M3X10 -INOX-	
0014	253639	DOSER ACTUATOR SUPPORT	
0015	253638	MICRO-SWITCH ACTUATOR	
0016	253634	MICRO ACTUATOR SPRING	
0017	253635	MICRO ACTUATOR PIN	
0018	254521	COFFEE CONVEYOR	
0019	261289	VARIABLE-REDUCED- DOSER ASSEMBLY	
0020	258958	SOLENOID COVER	

3 14 15 16 17 47 19 38 70 21 27 23 24 75 18



posLbl	Item	Description	
0001	254325	Z4000 GROUP CHAMBRE Ø38	
0002	098688	PISTON RETURN SPRING	
0003	255031	SELF-TAPPING SCREW 4,2X26	
0004	254329	PISTON ROD D.38	
0005	254648	BOTTOM D.38	
0006	0V0782	O-RING 2025	
0007	254646	BREWING CHAMBER D.38	
0008	254328	SCRAPER SPRING	
0009	254330	UPPER SCRAPER D.38	
0010	254651	PINION D.38	
0011	254653	LEFT CRANK D.38	
0012	254654	GUIDE SLIDING BLOCK	
0013	096569	FIXING COLLAR DIAM 12	
0014	254655	UPPER PISTON KEY	
0015	254327	TRACE FOR PISTON COMMAND D.38	
0016	099457	WASHER	
0017	254647	LOWER PISTON D.38	
0018	255047	SCREW M3X10 -INOX-	
0019	256493	SCREW SELF-TAPPING 4X20	
0020	254649	UPPER PISTON CROSS-PIECE D.38	
0021	254650	GASKET O-RING 1,9X2,4	
0022	094611	GASKET O-RING 2018	
0023	254474	UPPER PISTON	
0024	093167	SILICONE GASKET OR4118	
0025	098687	COFFEE FILTER	
0026	254657	SCRAPER	
0027	254331	RH-LH SUPPORT D.38	
0028	254795	COFFEE DISPENSING SPOUT	
0029	254652	RIGHT CRANK D.38	
0030	098818	STOPPING RING D.4	
0031	254473	PISTON ROD GUIDE D.38	
0032	254552	RATIOMOTOR 24V	
0033	298173	MICRO WITH WIRING	
0034	253220	LEVER SPRING	
0035	254523	Z4000 GROUP COUPLER	
0036	255785	PLATE Z4000 SMALL	
0037	254847	COVER Z4000	
0038	255491	WASHER 4.3X12	
0039	255084	MICRO REFERENCE PIN	
0040	30448800	MICRO FASTENING PLATE 7100	
0041	09004002	SCREW M2X12	
0042	257590	COUNTERSUNK SCREW CONICAL TIP H M3X10+WICKING	
0043	094048	BAG LOCK COLLAR	
0044	0V3698	USED DOSE DISCHARGE PIPE	

posLbl	Item	Description	
0045	256198	SCREW AF MP TCBC-H-TZ 4.5X12	