

Bianchi Vending Group - Spare Parts
Catalog related to :

-  **Coffee Machines**
-  **BVM 951 - Free Standing**
 -  **BV951ES01GG - BVM951 E4S MC GRAF**

Summary

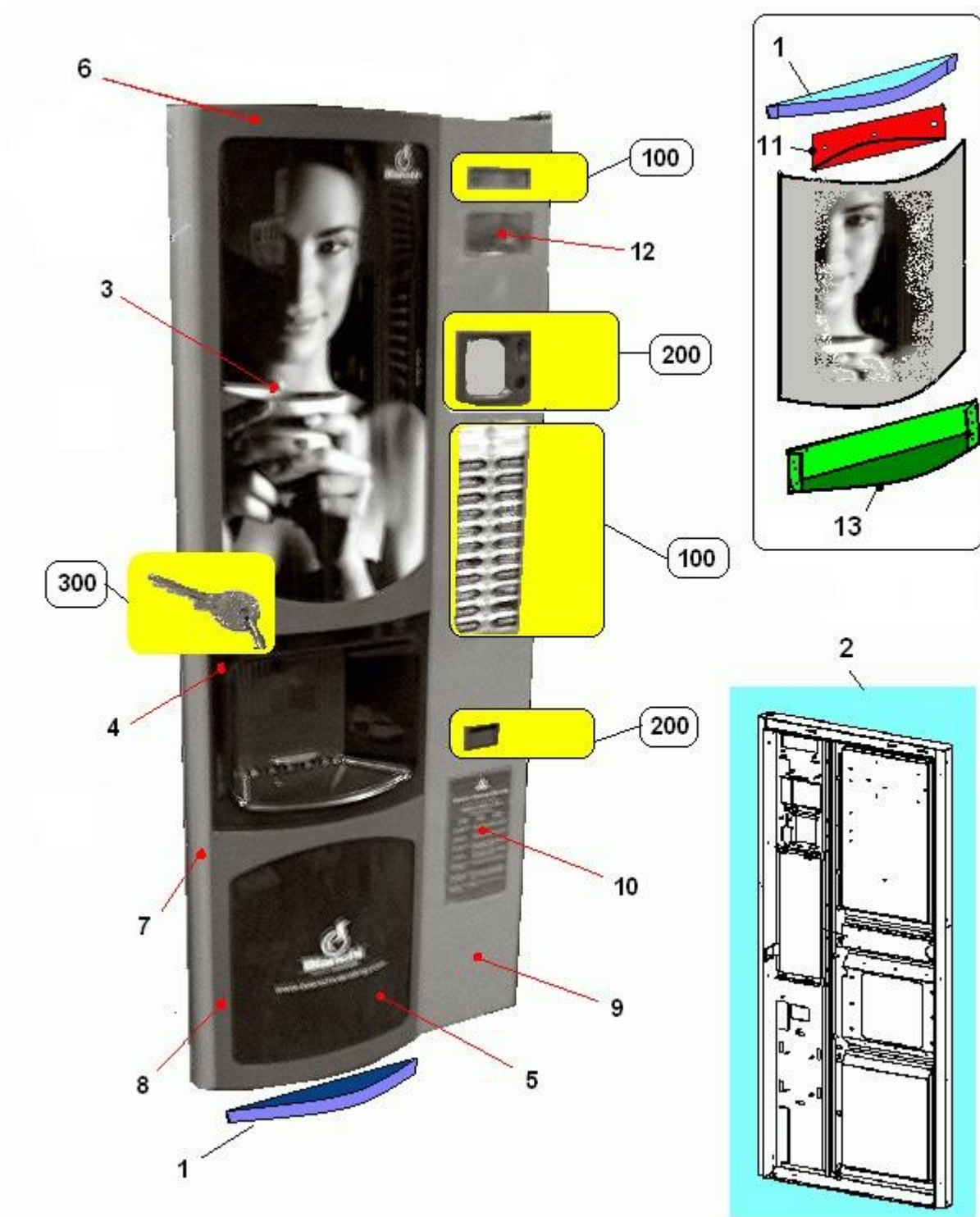
Coffee Machines BVM 951 - Free Standing BV951ES01GG - BVM951 E4S MC GRAF	1
Coffee Machines BVM 951 - Free Standing BV951ES01GG - BVM951 E4S MC GRAF DOOR	2
DOOR EXTERNAL COMPONENTS (384)	3
DOOR INTERNAL COMPONENTS (394)	5
Coffee Machines BVM 951 - Free Standing BV951ES01GG - BVM951 E4S MC GRAF CABINET	7
CABINET AND PARTS (385)	8
Coffee Machines BVM 951 - Free Standing BV951ES01GG - BVM951 E4S MC GRAF ESPRESSO ASSEMBLY	10
PISTON ASSEMBLY(7)	11
COFFEE DOSER(32)	13
PLASTIC COFFEE GROUP(1)	15
GRINDER WITH VERTICAL MOTOR(29)	17
VERTICAL GRINDER MOTOR (336)	19
COFFEE GRINDER - DOSER (404)	21
COFFEE BEANS CONTAINER (399)	23
COFFEE GROUP GEARMOTOR (483)	25
BOILER SUPPORT ASSEMBLY (578)	27
Coffee Machines BVM 951 - Free Standing BV951ES01GG - BVM951 E4S MC GRAF ELECTRICS & ELECTRONICS	29
ELECTRIC COMPONENTS AND WIRES (386)	30
MASTER ELECTRONIC BOARD (387)	32
POWER ELECTRONIC BOARD (388)	34
MAIN POWER SUPPLY - SWITCHING (389)	36
ELECTROMECHANICAL COUNTER KIT (545)	38
Coffee Machines BVM 951 - Free Standing BV951ES01GG - BVM951 E4S MC GRAF INSTANT ASSEMBLY	40
MIXERS GROUP SUPPORT ASSEMBLY (397)	41
MOTORS GROUP (396)	43
SUGAR DOSER (407)	45
COMPONENTI PER MISCELATORI (644)	47
SCATOLE DOSATRICI (686)	49
Coffee Machines BVM 951 - Free Standing BV951ES01GG - BVM951 E4S MC GRAF PRODUCT DELIVERY	51
DETAILS FOR : SPOONS DISPENCER(89)	52
BIANCHI CUP DISPENCER(27)	54
BIANCHI CUP DISPENCER AND CUP TURRET	56
NOZZLES SUPPORT(95)	58
CUP STATION (88)	60
KIT RETROFIT NEW SPOONS DISPENCER (597)	62
DETTAGLI PER : TAV.PALETTIERA (626)	64
_DISTRIBUTORE PALETTE (656)	66
Coffee Machines BVM 951 - Free Standing BV951ES01GG - BVM951 E4S MC GRAF HYDRAULIC COMPONENTS	68
ELECTROVALVE THREE WAYS OLAB(115)	69

ELECTROVALVES GROUP OF 3, TWO WAYS OLAB(116)	71
PIPES(68)	73
NEW AIRBREAK(102)	75
WATER FILTERS(362)	77
INLET WATER ELECTROVALVE (408)	79
WATER PUMP AND FLOWMETER (403)	81
Other tables	83
VERTICAL GRINDER ASSEMBLY(30)	84
BIANCHI CUP DISPENCER (27)	86
LOCK (400)	88
COIN INTRODUCTION AND COIN BOX (391)	90
MIXERS COMPONENTS (405)	92
PREHEATED MIXING CHAMBER (406)	94
MOTORS (401)	96
KEYPAD DISPLAY (390)	98
ESPRESSO BOILER ASSEMBLY W/INSTANT ELEC.VALVES (579)	100
COMPONENTI CALDAIA ESPRESSO (599)	102

Tables of group :

-  **Coffee Machines**
-  **BVM 951 - Free Standing**
-  **BV951ES01GG - BVM951 E4S MC GRAF**
-  **DOOR**

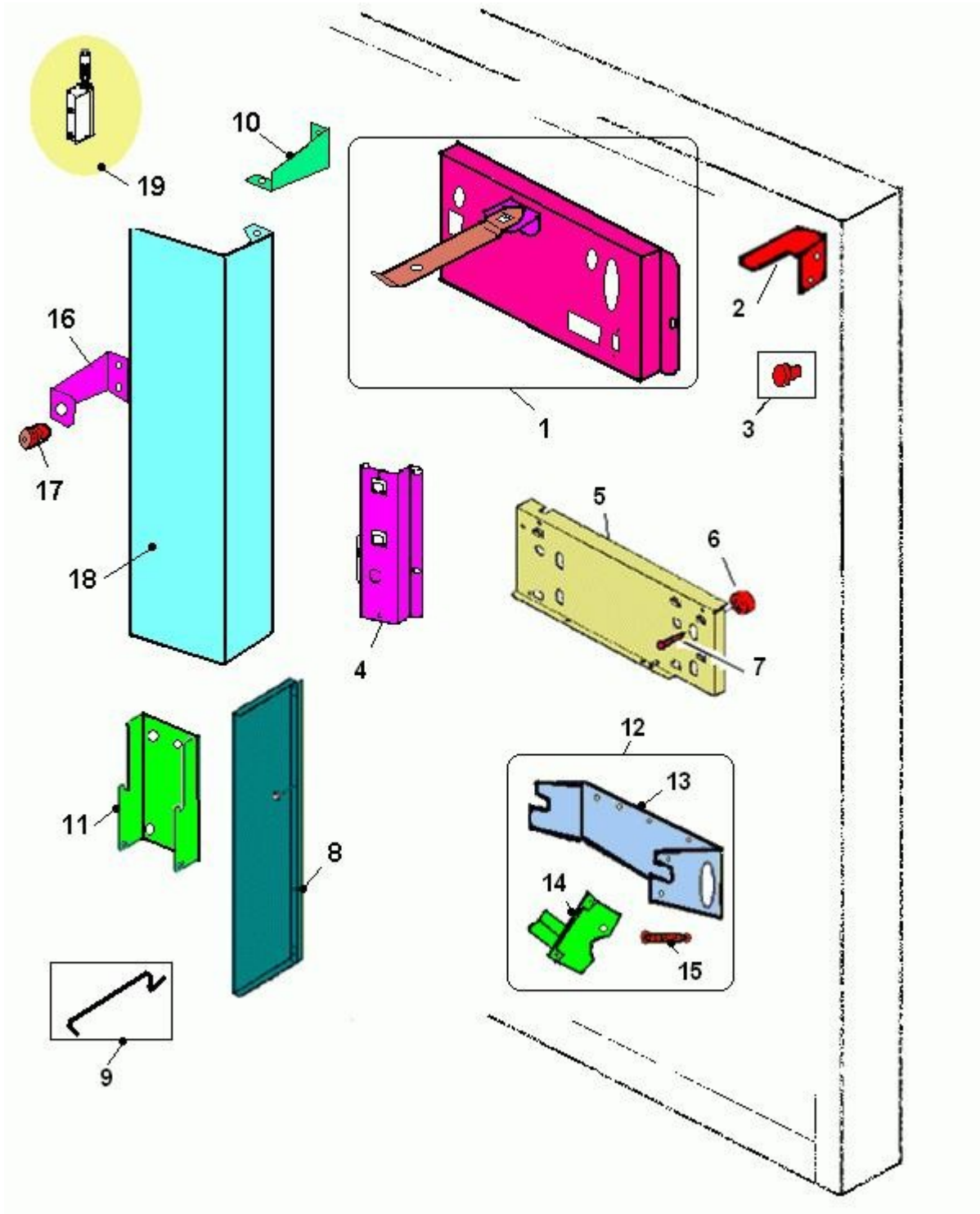
Table: DOOR EXTERNAL COMPONENTS (384)



DOOR EXTERNAL COMPONENTS (384) - Items detail

Position	SPARE PARTS CODE VARIANT	Accessories	DESCRIPTION	For each main Item multiply q. ty by
1	01785411-02L30		TAPPO CORNICE LEXAN GRAF	
2	01784312-02L30		ASS. TELAIO PORTA BMV 951 GRAF	
3	05232011		LEXAN SERIGRAF. BVM951 SUP.	
4	05231915M09		OBLO' CUP STATION NERO	
5	05232111		LEXAN SERIGR.BVM951/971 INF.	
6	01785311L30		CORNICE LEXAN SUP.GRAF	
7	01786411P54		COVER LATO SERRATURA INOX	
8	01785711L30		CORNICE LEXAN INFER.GRAF	
9	01786511P54		COVER LATO CERNIERA INOX	
10	05232625M00		BACHECA BVM951/971 H=230mm	
11	01804811		SQUADRETTA FERMO LEXAN	
12	05233715M00		BACHECA SUPERIORE BVM951/971	
13	01785511-02L30		BASE CORNIC.LEXAN SUP.GRAF	
100	See Table "KEYPAD DISPLAY (390)" - Pag. 98			
200	See Table "COIN INTRODUCTION AND COIN BOX (391)" - Pag. 90			
300	See Table "LOCK (400)" - Pag. 88			

Table: DOOR INTERNAL COMPONENTS (394)



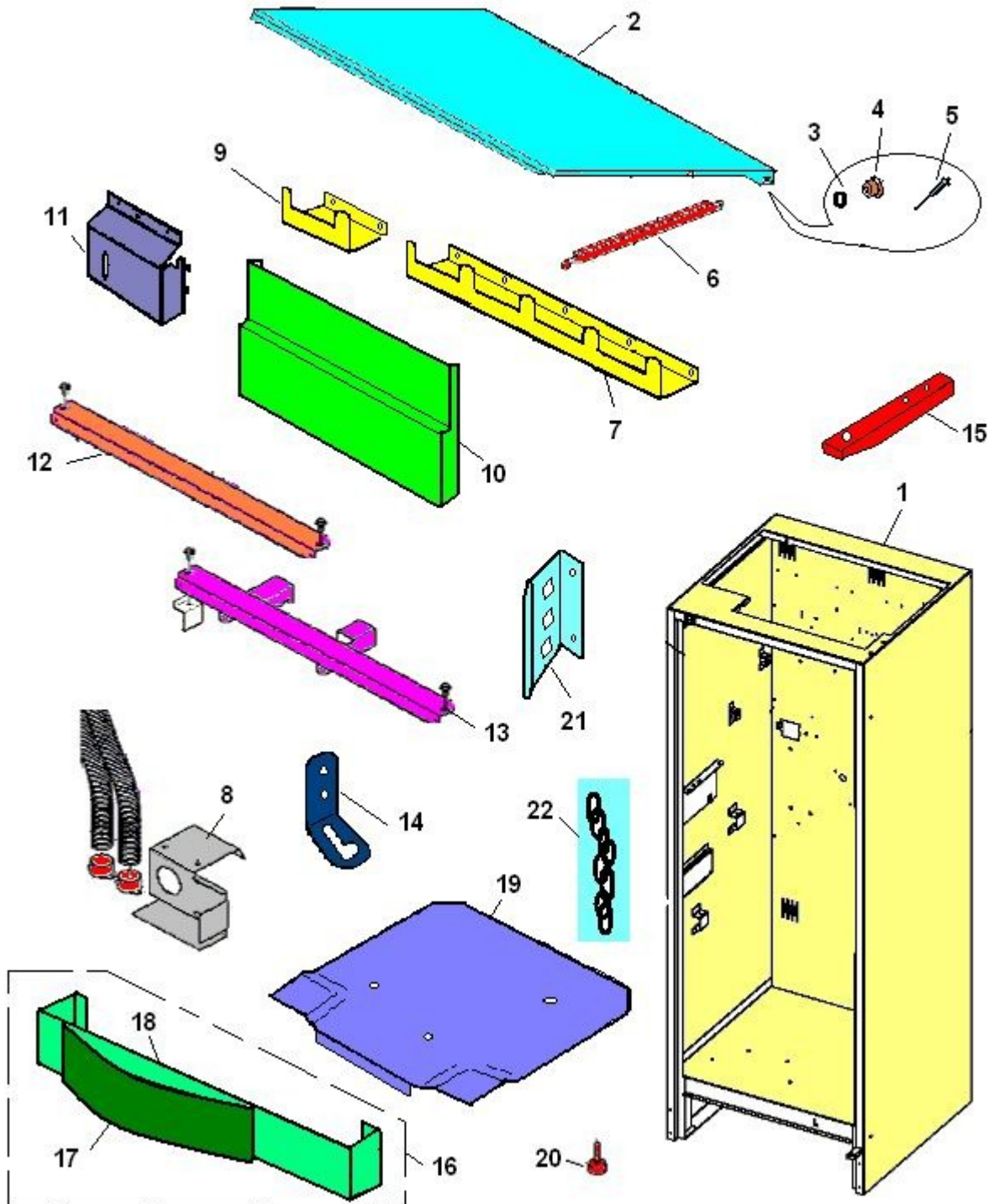
DOOR INTERNAL COMPONENTS (394) - Items detail

Position	SPARE PARTS CODE VARIANT	Accessories	DESCRIPTION	For each main Item multiply q. ty by
1	01813012		ASS. COPERTURA SCHEDA CPU	
2	01510511		SQUAD.INTERR-SICUR.ANTARES	
3	00104883		GOMMINO PARACOLPI	
4	01790011		SUPPORTO PALETTIERA	
5	01607011-02		SUPPORTO SGANCIATORE BICCHIERI	
6	19055611		DIST. PER SUPP. SGANCIA BICCH.	
7	32091016		VITE TE 5MA X 30	
8	01808611-01		PARATIA PROTEZIONE CASS.MONETA	
9	12015811		ASTA FERMO PORTA	
10	01813611		SQUADRETTA SUP.PERNO COPERTURA	
11	01793211		SUPP.CASSETTA MONETE	
12	01525010		ASS.SUPP.VASCH.C/LEVA ANTARES	
13	01452011		SUPP. VASCHETTA	
14	01524511		LEVA BASCULA VASCH.R-GOCCE AN	
15	07012411		MOLLA PER CONDOTTO MONETA	
16	01813511		SQUADRETTA MAGNETE COPERTURA	
17	20022316		MAGNETE TONDO XPORT.VANO BICC.	
18	01813712		ASS.COPERT. SISTEMI PAGAMENTO	
19	21011912-01		ASS. BLOCCHETTO CERNIERA ANTAR	

Tables of group :

-  **Coffee Machines**
-  **BVM 951 - Free Standing**
-  **BV951ES01GG - BVM951 E4S MC GRAF**
-  **CABINET**

Table: CABINET AND PARTS (385)



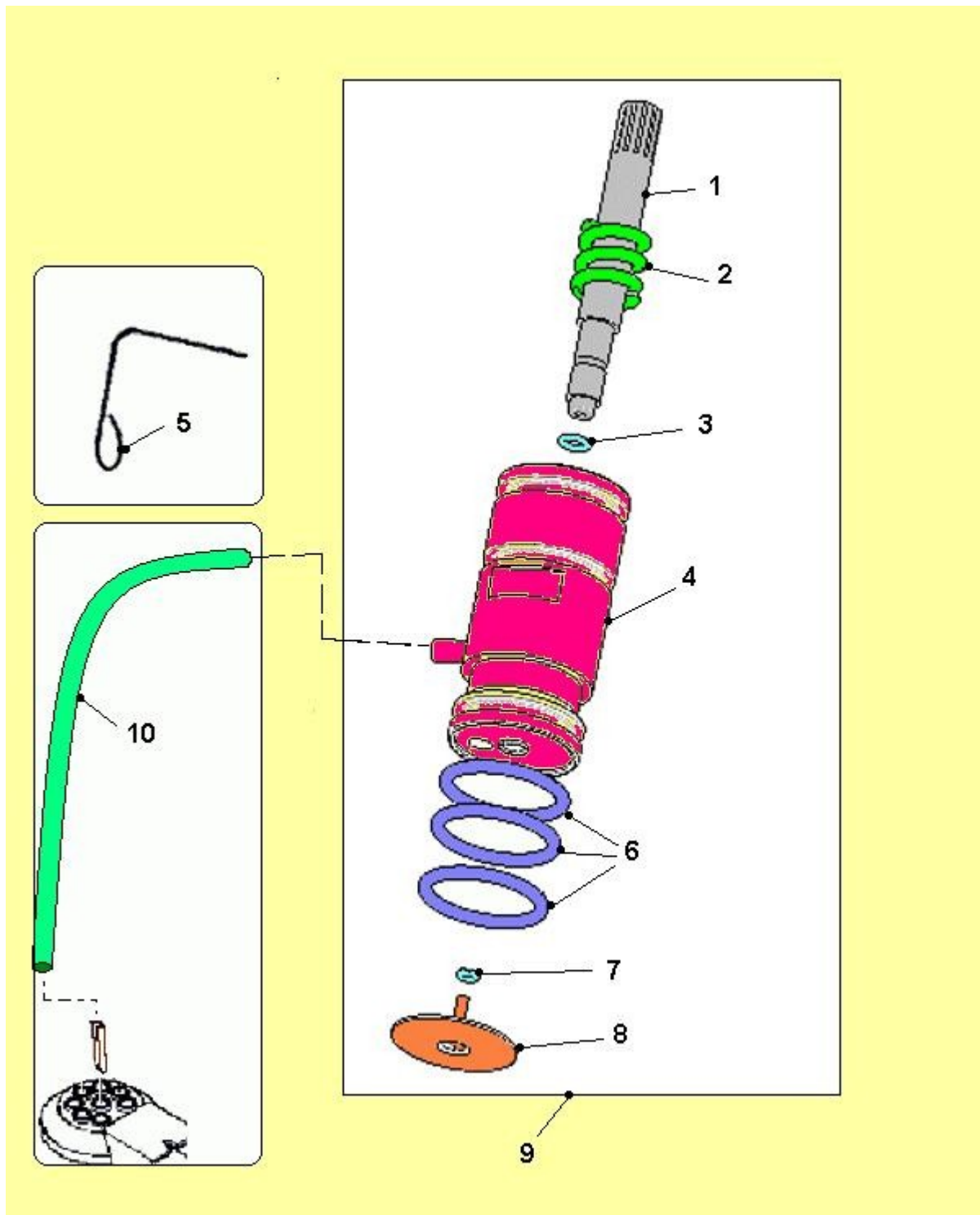
CABINET AND PARTS (385) - Items detail

Position	SPARE PARTS CODE VARIANT	Accessories	DESCRIPTION	For each main item multiply q.ty by
1	01799312-01L30		ASS.CASSONE BVM951 GRAF	
2	01661612L30		ASS.SPORTELLO ANT.DEC.GRAF.	
3	05158215		BOCCOLA X RIVETTO D=14 X 75	
4	19054411		BOCCOLA PER RIVETTO	
5	33050126		RIVETTO D.3,2X8	
6	01661711		ASTA SOSTEGNO SPORTELLO AN-DEC	
7	01672911-01		SUPP.4S ANTARES E5S	
8	01659711		SUPP.ASPIRATORE ANT-DEC.	
9	01661411		SUPP.SCATOLA ZUCCHERO ANT-DEC.	
10	01662111-01		COPERT.SCHEDA POTENZA ANT-E5S	
11	01809511		COPERTURA VASCHETTA ACQUA	
12	01660611-03		TRAVERSA SUPER.ANT-E5S	
13	01660712		ASS.TRAVERSA INFERIORE ANT-E5S	
14	01675511-01		GUIDA TUBI SCARICO ANT-DEC.	
15	12047011		PIAST.X CERNIERA C/FIL.BVM951	
16	01788512		ASS.FASCIA BATTISCOPIA BVM951	
17	01788711L30		CARTER FASC.BATTISC.GRAF	
18	01788611P54		FASCIA BATTISCOPIA BVM951 INOX	
19	01787311		PROTEZIONE FONDO ANTARES STD	
20	21057222		ASS. PIEDINO M8x40 BVM971	
21	01799811		SUPP.CONNETTORI BVM951	
22	19048161		CATENELLA L.250 (N. 19 ANELLI	

Tables of group :

-  **Coffee Machines**
-  **BVM 951 - Free Standing**
 -  **BV951ES01GG - BVM951 E4S MC GRAF**
 -  **ESPRESSO ASSEMBLY**

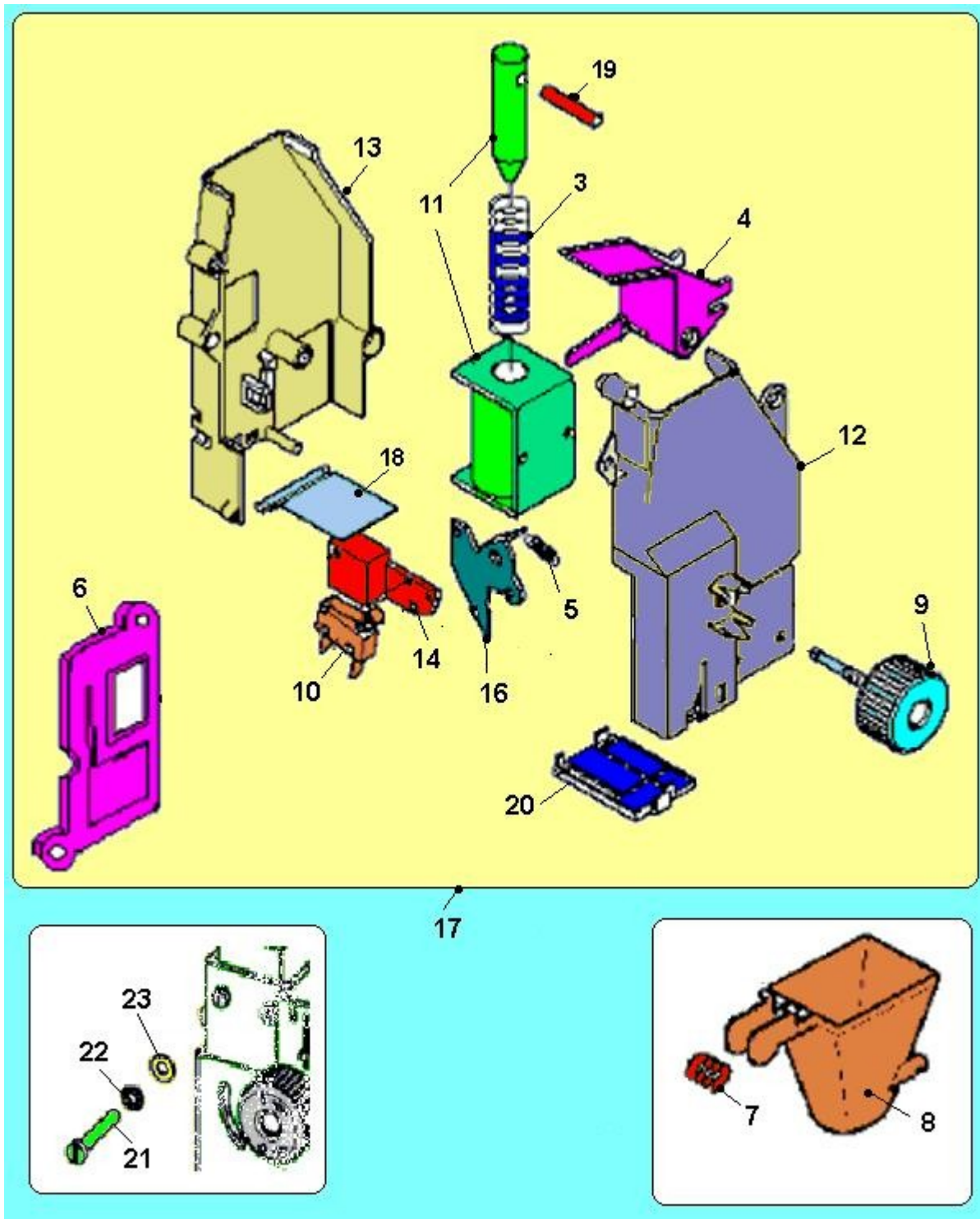
Table: PISTON ASSEMBLY(7)



PISTON ASSEMBLY(7) - Items detail

Position	SPARE PARTS CODE VARIANT	Accessories	DESCRIPTION	For each main Item multiply q.ty by
1	05107725		POMOLO FILTRO PISTONE	
2	07017611		MOLLA X PISTONE	
3	36210916		GUARNIZ. X POMOLO OR 2021 VITON	
4	05148012		PISTONE GRUP. CAF. PLAST. NB	
5	07017511		ASTINA FERMO PISTONE	
6	36211816		GUARNIZ. OR X PISTONE VITON	
7	36212116		GUARNIZIONE OR 2010 VITON	
8	16014812		ASSIEME FILTRO	
9	05138120		ASS. PISTONE GR-CAFFE'	
10	09087873-01		TUBO SIL. SZ. 3X6 MARRONE	
10	09093441		TUBO SILICONE 3x6 REST. GRIGIO	

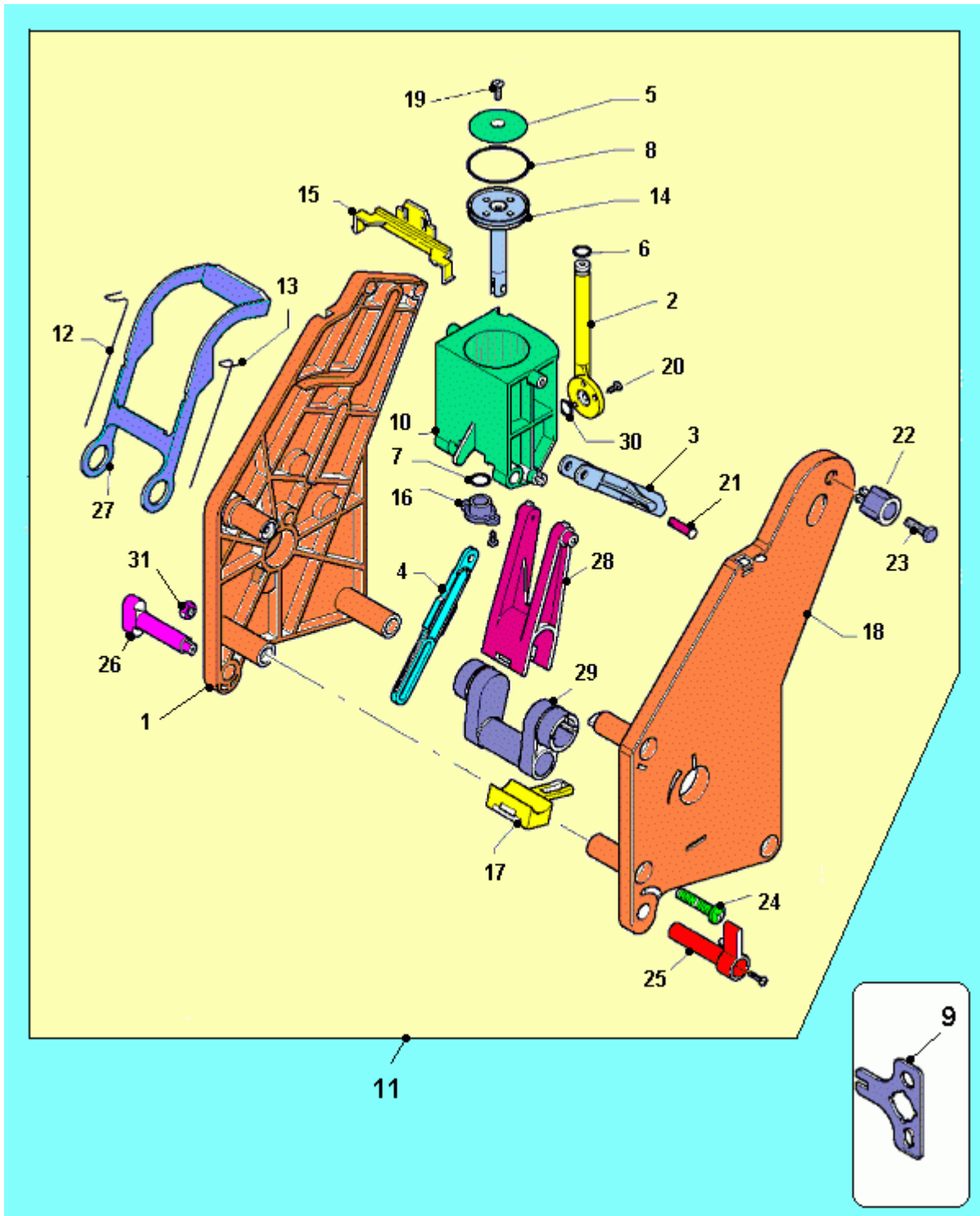
Table: COFFEE DOSER(32)



COFFEE DOSER(32) - Items detail

Position	SPARE PARTS CODE VARIANT	Accessories	DESCRIPTION	For each main Item multiply q.ty by
3	07020511-01		MOLLA X EL-MAGNETE 1200GR	
4	05135115-01		CASSET.BASCUL.DOS.CAFFE	
5	07020611		MOLLA X SQUAD.MICRO	
6	05155615-01		DISTANZIALE DOSATORE	
7	07020911		MOLLA PER IMBUTO CAFFE'	
8	05135415		SCIVOLO CAFFE' NUOVO DOS.	
9	05135215		MANOPOLA REGOLAZ.DOS-CAFFE	
10	26029616		MICRO A TENUTA CABLATO	
11	20019146-01		ELETTROMAG. 5% 24V DC	
12	05134815		GUSCIO ANT.DOSAT.CAFFE	
13	05134925		GUSCIO POST.DOSAT.CAFFE MT	
14	05154615		SUPP. MICRO DOS-CAFFE' C/POM	
16	01586212		SQUAD.MICRO C/PRG	
17	43002410-01		ASS. DOSAT. CAFFE' C/DISTANZ.	
18	05135315		PARAT.MOBILE DOS.CAFFE	
19	33051716		SPINA CILINDRICA 4X25 IX	
20	05135025		COPERCHIO DOSAT. CAFFE MT	
21	32061116		VITE TC 4MAX30	
22	35160326		ROND-DENT.D. 4,2 IX	
23	35155216		ROSETTA	

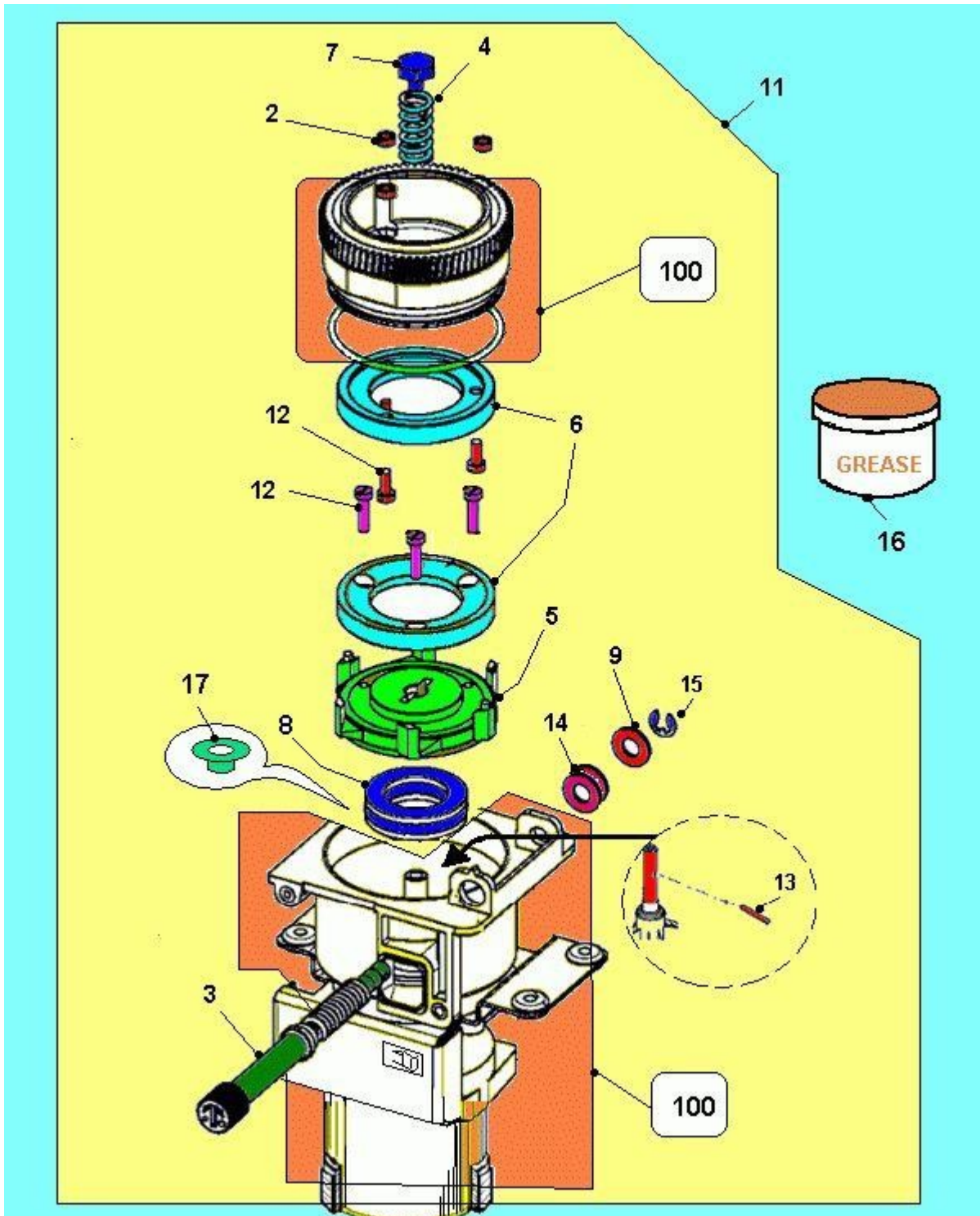
Table: PLASTIC COFFEE GROUP(1)



PLASTIC COFFEE GROUP(1) - Items detail

Position	SPARE PARTS CODE VARIANT	Accessories	DESCRIPTION	For each main Item multiply q.ty by
1	05106415-01		SPALLA POSTERIORE	
2	05106815-01		TUBETTO PER BICCHIERINO	
3	05148315		SOLLEVATORE ASTA GRUPPO CAFFE'	
4	05107415		ASTINA DI TRASCINAMENTO	
5	16012021		FILTRO X GRUPPO CAFFE' MAGG.	
6	36351316		GUARN.X-RING PIPETTA GR.CAFFE'	
7	36211916		GUARNIZIONE OR 2037 VITON	
8	36212216		GUARNIZIONE OR 2125 VITON	
9	01475411		CHIAVE PER ROTAZ. GRUP.BIANCHI	
10	05106615-01		BICCHIERINO	
11	95007420-01		GR-CAFFE PLS-NB ANTICALC.	
12	07017911		MOLLA PER SPATOLA DX	
13	07017921		MOLLA PER SPATOLA SX	
14	05161215		ASTA ESPULS.FONDI GR-CAFFE	
15	05133515		DISTANZIALE PER SPALLE GRUPPO	
16	05106715		BUSSOLA PER BICCHIERINO	
17	05107215		STAFFA	
18	05106515-01		SPALLA ANTERIORE	
19	32035236		VITE TSP 3MAX6	
20	32222827		VITE A/F 2,9X 9,5 IX S/PUNTA	
21	05107515		RIBATTINO	
22	05109515		POMOLO	
23	32090636		VITE TE 5MA x 18 IX	
24	32060936		VITE TC 4MA x 20 IX	
25	05107815		LEVA DI BLOCCAGGIO	
26	05107915		ASTINA DI BLOCCAGGIO	
27	05107015		SPATOLA	
28	05107115		BIELLA	
29	05107615		MANOVELLA	
30	36210916		GUARNIZ.X POMOLO OR 2021 VITON	
31	34110316		DADO AUTOBLOCC. 5MA	

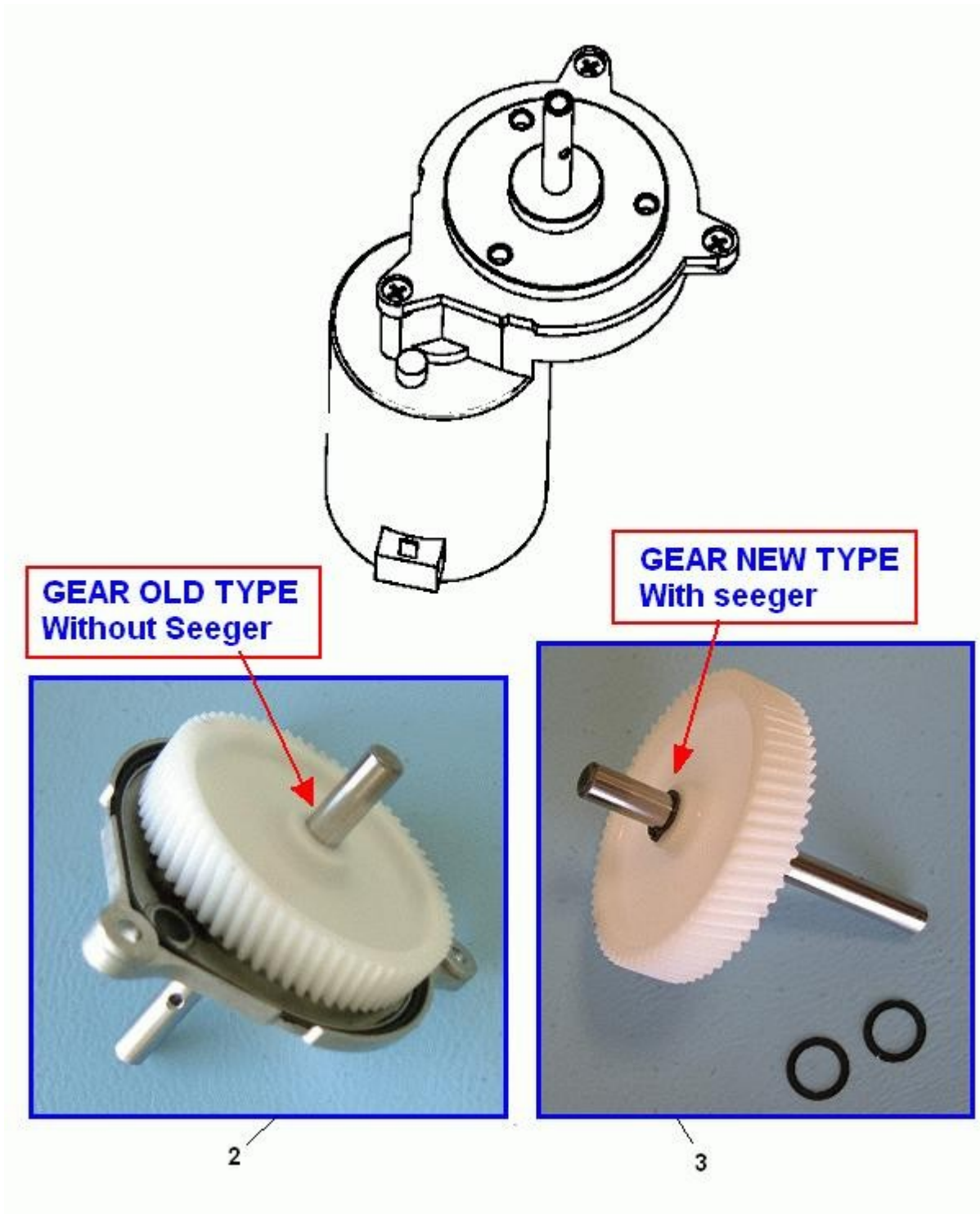
Table: GRINDER WITH VERTICAL MOTOR(29)



GRINDER WITH VERTICAL MOTOR(29) - Items detail

Position	SPARE PARTS CODE VARIANT	Accessories	DESCRIPTION	For each main Item multiply q.ty by
2	34102816		DADO ES.4 MA	
3	05134715		POMOLO REGOLAZIONE	
4	07020411		MOLLA PER PORTAMACINA	
5	13008211-01		PORTAMACINE MOBILE	
6	18007316-01		MACINA MACININO D. 64	
7	19059021		VITE IX PER MOLLA XAMETEK	
8	19059216		CUSC. ASSIALE D 25	
9	35155516		ROSETTA PIANA	
11	86001310-01		ASS.MACININO CAFFE AMETEK	
12	32060516		VITE TC 4MAX10	
13	12017411		FILO ARMONICO D3X30	
14	23004086		PASSACAVO DM. 6X15 GOMMA	
15	37001116		ANELLO SEEGER D6	
16	43028311		SCATOLA GRASSO ALIMENTARE 40g	
17	19060411		RONDELLA CON BUSSOLA	
100	See Table "VERTICAL GRINDER ASSEMBLY(30)" - Pag. 84			

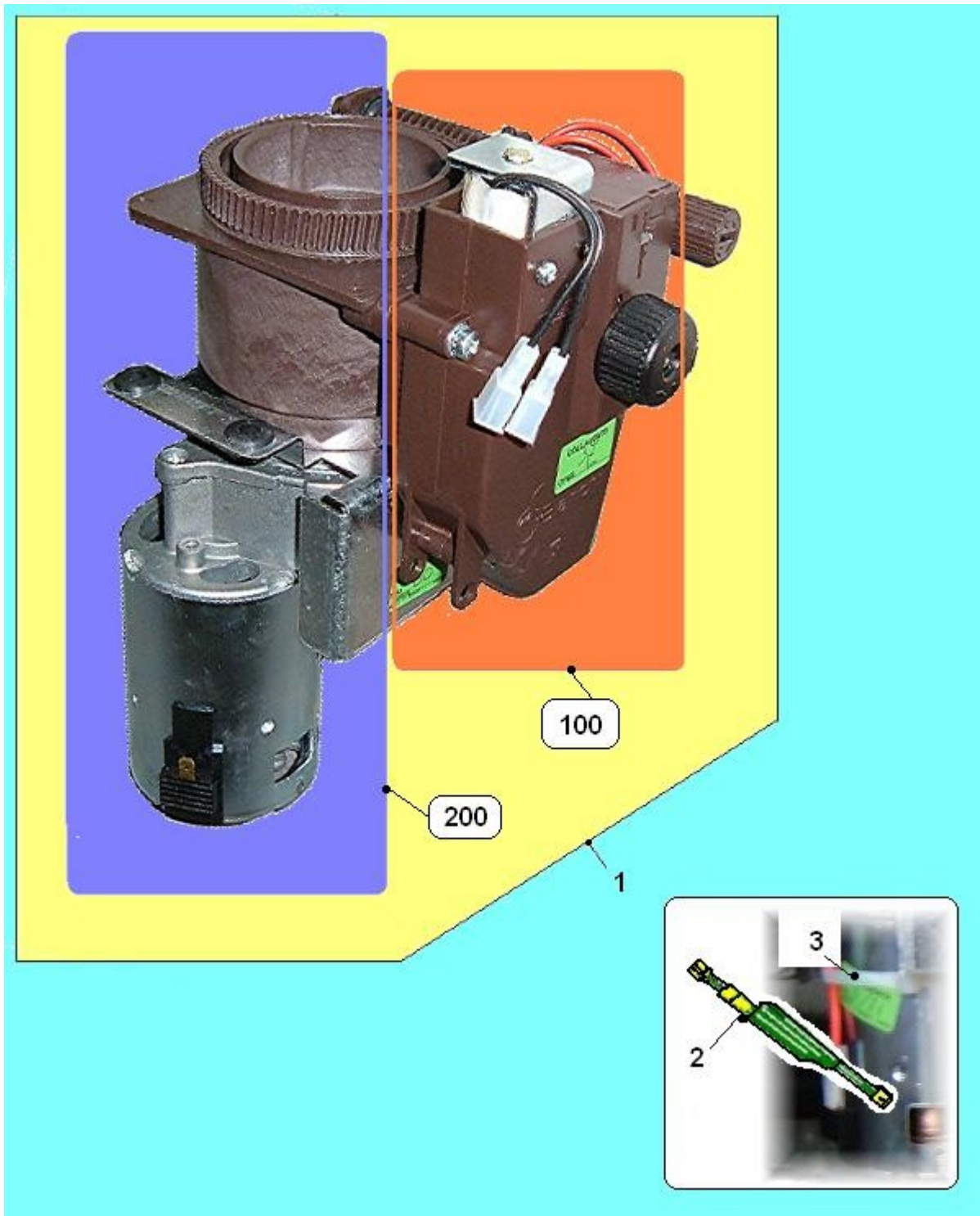
Table: VERTICAL GRINDER MOTOR (336)



VERTICAL GRINDER MOTOR (336) - Items detail

Position	SPARE PARTS CODE VARIANT	Accessories	DESCRIPTION	For each main Item multiply q.ty by
2	43002716		SUPP.SCAT.C/INGRANAGGIO AMETEK	
3	43002726		INGRANAGG.C/PERNO AMETEK 2003	

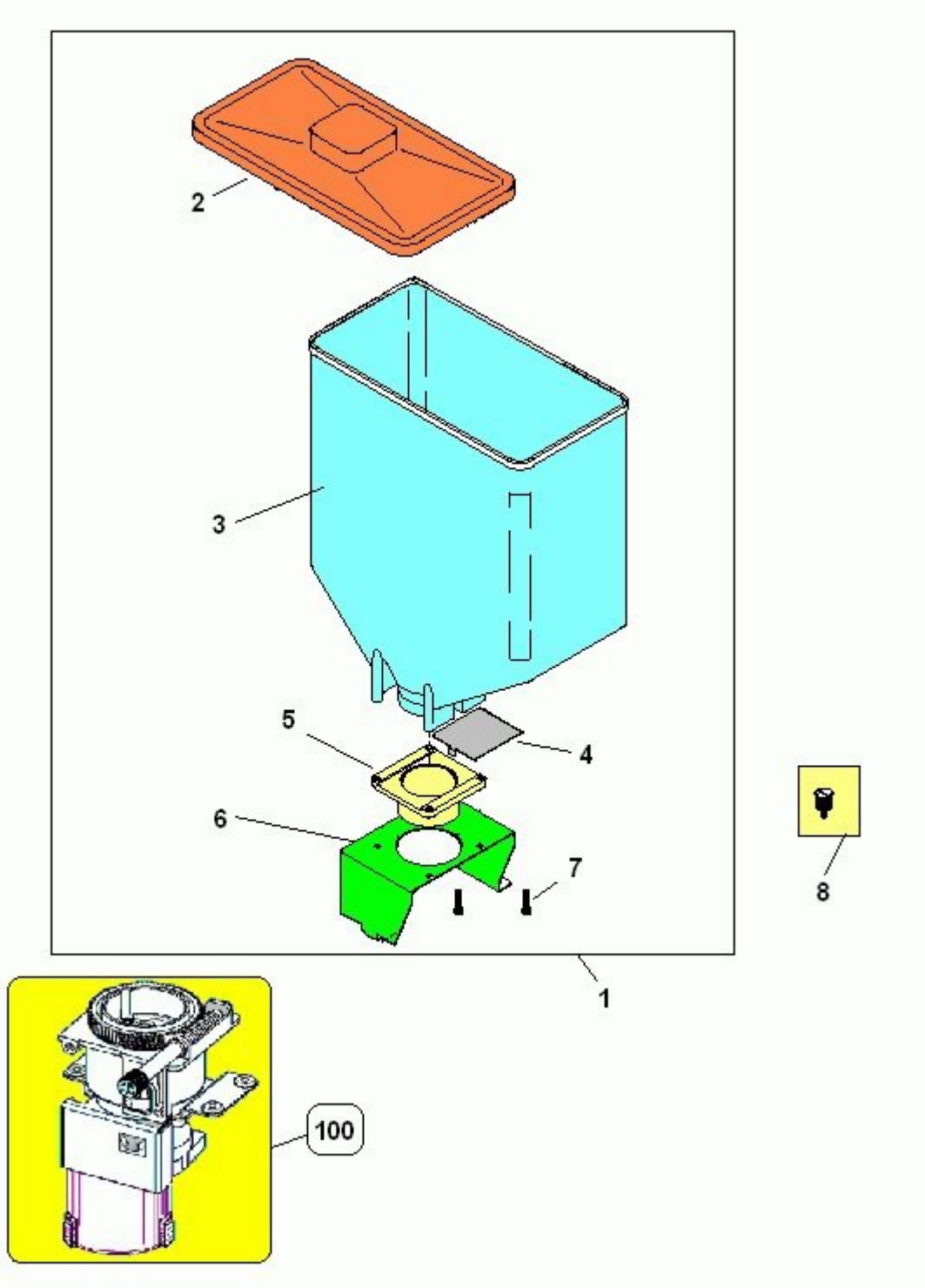
Table: COFFEE GRINDER - DOSER (404)



COFFEE GRINDER - DOSER (404) - Items detail

Position	SPARE PARTS CODE VARIANT	Accessories	DESCRIPTION	For each main Item multiply q.ty by
1	96057610		C/O MACINADOS.CAFFE' AMETEK	
2	22126622		PROTEZ.MOT.MAC. AMETEK FAST4,8	
3	23026316		FASCET.LUNGA L.290x5 AMETEK	
100	See Table "COFFEE DOSER(32)" - Pag. 13			
200	See Table "GRINDER WITH VERTICAL MOTOR(29)" - Pag. 17			

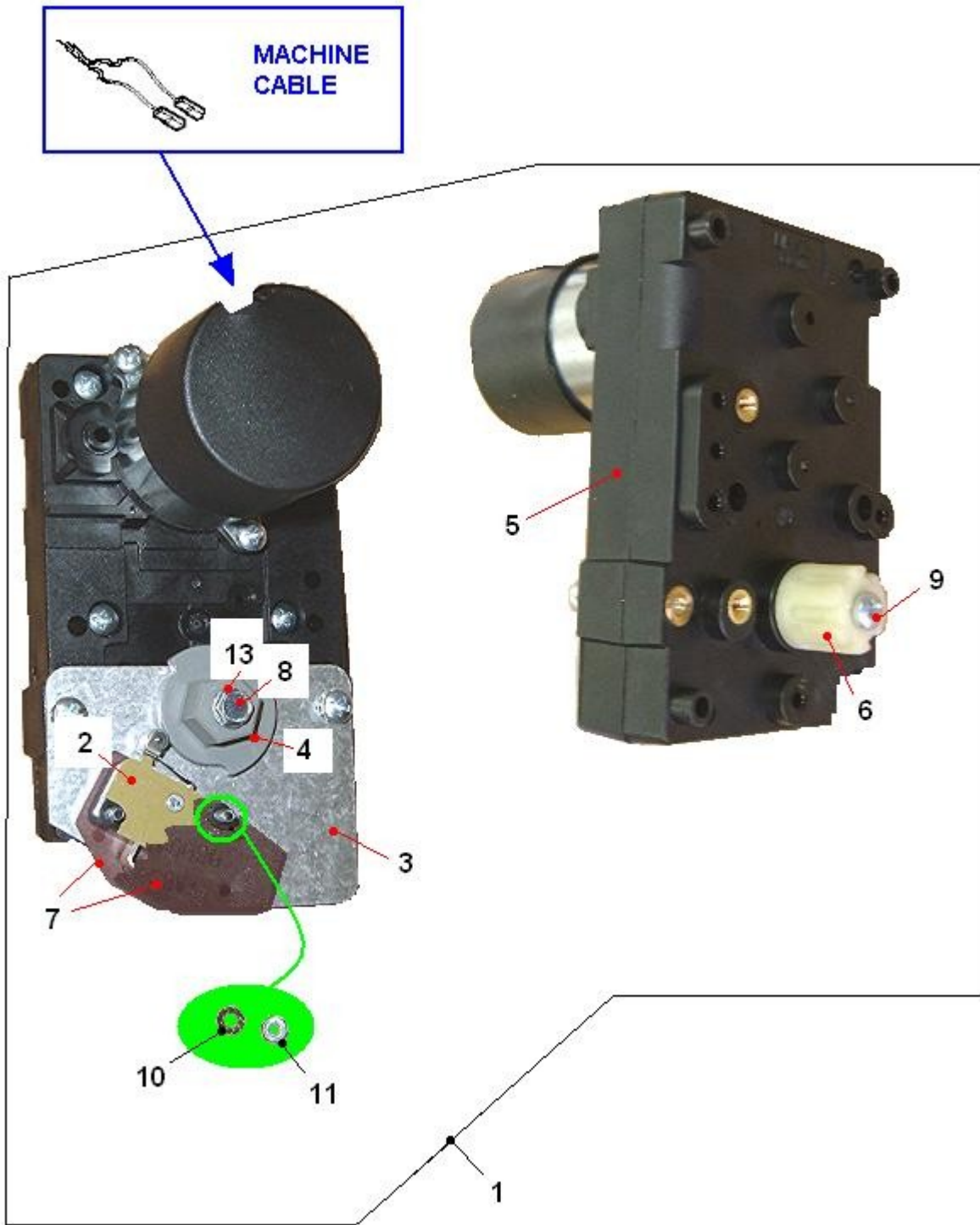
Table: COFFEE BEANS CONTAINER (399)



COFFEE BEANS CONTAINER (399) - Items detail

Position	SPARE PARTS CODE VARIANT	Accessories	DESCRIPTION	For each main Item multiply q.ty by
1	05235310		ASS.TRAMOG.CAFFE CAP.3,5 KG	
2	05232815M37		COP.TRAM. CAF. CAPACITA' 3,5KG	
3	05232715M16		TRAMOGGIA CAFFE' CAPACITA 3,5K	
4	01228311		PARATIA ARRESTO CAFFE'	
5	00112050		FLANGIA PER TRAMOGGIA	
6	01588611-03		PIASTR. TRAMOG. CAFFE'	
7	32010736		VITE A/F 4,0X20 TCB UNI9707	
8	19043521		POMOLO FISS.	
100	See Table "COFFEE GRINDER - DOSER (404)" - Pag. 21			

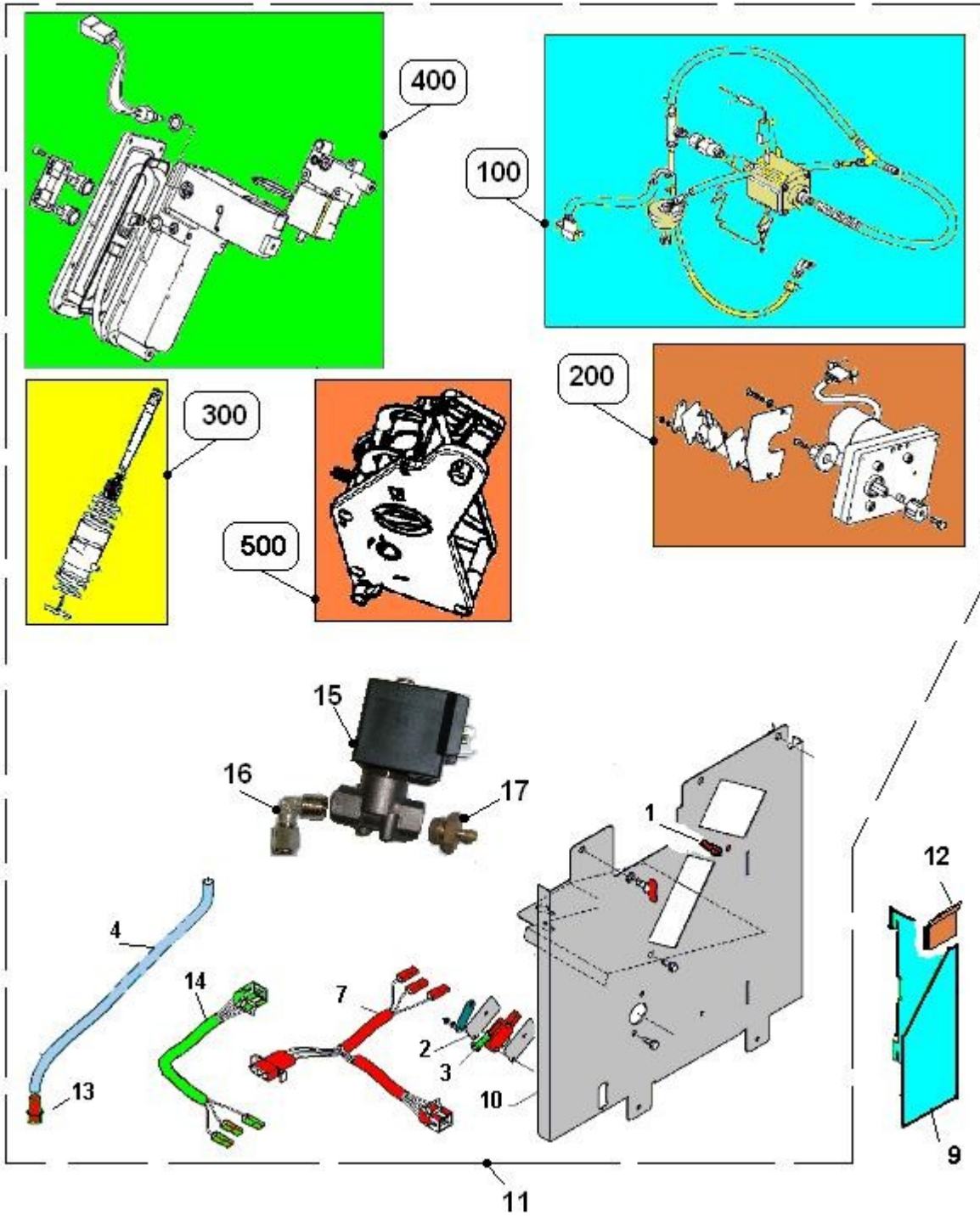
Table: COFFEE GROUP GEARMOTOR (483)



COFFEE GROUP GEARMOTOR (483) - Items detail

Position	SPARE PARTS CODE VARIANT	Accessories	DESCRIPTION	For each main Item multiply q.ty by
1	20016810-03		ASS.MOTORID. S/CABL.24V GR-CAF	
2	26005126		MICRO CON ROTELLA -BT-	
3	01484212		ASS. PIASTRINA X MICRO MOTORID	
4	05110915M37		CAMMA ROTAZ. GRUPPO MARRONE	
5	20014946-02		MOTORID. 24V DC 11-12 R S/CABL	
6	41081216		GIUNTO IN PLS TRASCIN. GR/CAFF	
7	08004111		ISOLANTE MICRO	
8	32050516		VITE TE M4 x 10C.R.ZN	
9	32061016		VITE TC 4MAX25	
10	35160216		ROSETTA DENT. D. 3,2 BR.	
11	34102716		DADO ES. 3MA	
13	35160316		ROSETTA DENT. D. 4,2 ZN	

Table: BOILER SUPPORT ASSEMBLY (578)



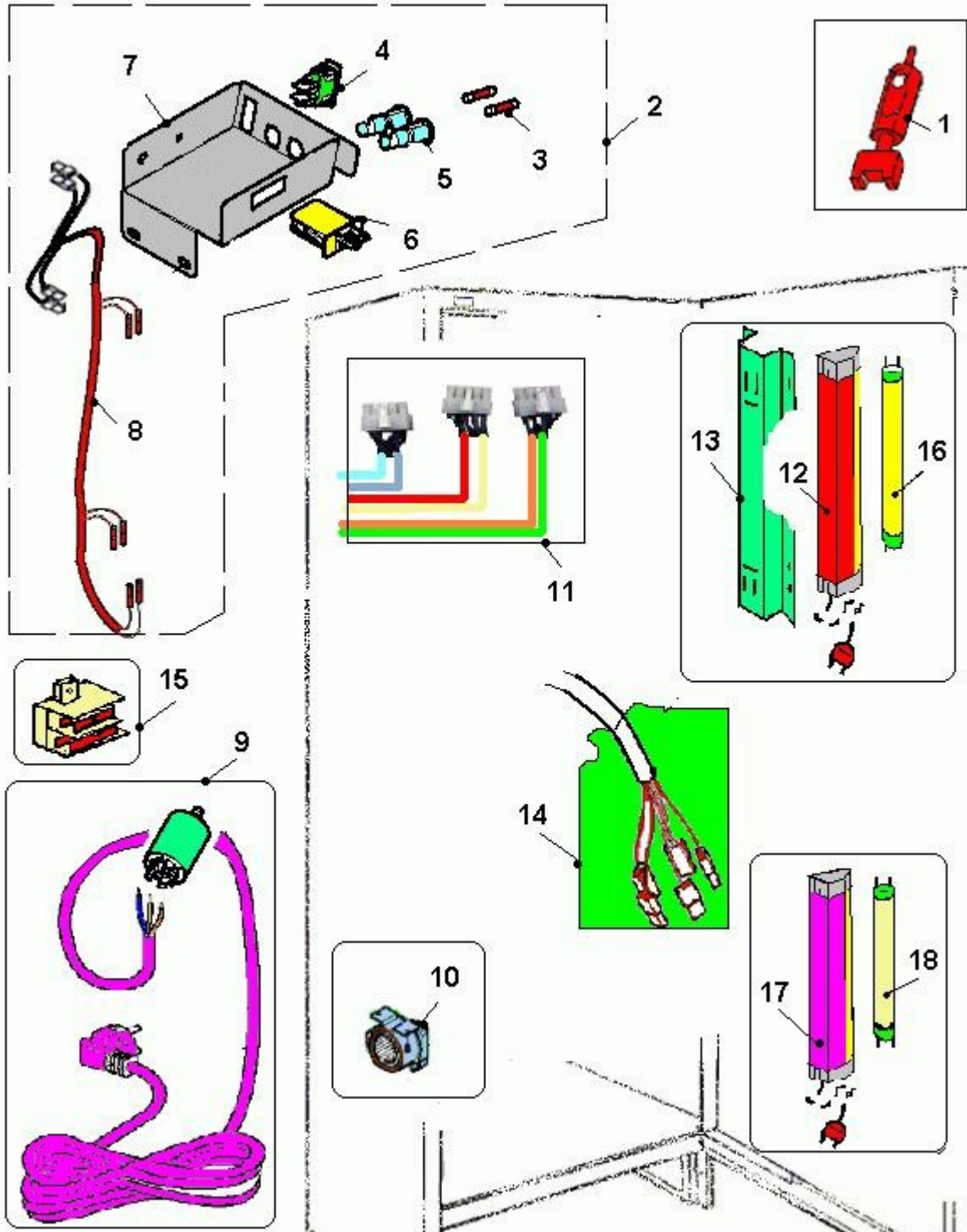
BOILER SUPPORT ASSEMBLY (578) - Items detail

Position	SPARE PARTS CODE VARIANT	Accessories	DESCRIPTION	For each main Item multiply q.ty by
1	19056011		PERNO FISSAGGIO GRUPPO	
2	08004111		ISOLANTE MICRO	
3	26005136		MICRO CON ROTELLA XGM2-81-S21	
4	09087823-01		TUBO SIL.SZ.5X 9 MARRONE	
7	22171412		CABL.GRUPP.CAFFE DC-MC SIR-BV	
9	01483511		SCIVOLO FONDI	
10	01662812-01		ASS.PIASTRA GRUPPO ANT-E5S	
11	95007920		C/O SUPP.CALDAIA ANT-BVM951	
12	05118241		PROFILO SALVATUBO	
13	05036515		TAPPO PER TUBO DI SCARICO	
14	22173312		CABL.ELETTROVALVOLE BVM950	
15	25012146		ELETTROV. 2 VIE 24V DC	
16	04035356		RACC.GOM.1/4GM-4X6	
17	04036521		RACCORDO PORTAGOMMA	
100	See Table "WATER PUMP AND FLOWMETER (403)" - Pag. 81			
200	See Table "COFFEE GROUP GEARMOTOR (483)" - Pag. 25			
300	See Table "PISTON ASSEMBLY(7)" - Pag. 11			
400	See Table "ESPRESSO BOILER ASSEMBLY W/INSTANT ELEC.VALVES (579)" - Pag. 100			
500	See Table "PLASTIC COFFEE GROUP(1)" - Pag. 15			

Tables of group :

-  **Coffee Machines**
-  **BVM 951 - Free Standing**
 -  **BV951ES01GG - BVM951 E4S MC GRAF**
 -  **ELECTRICS & ELECTRONICS**

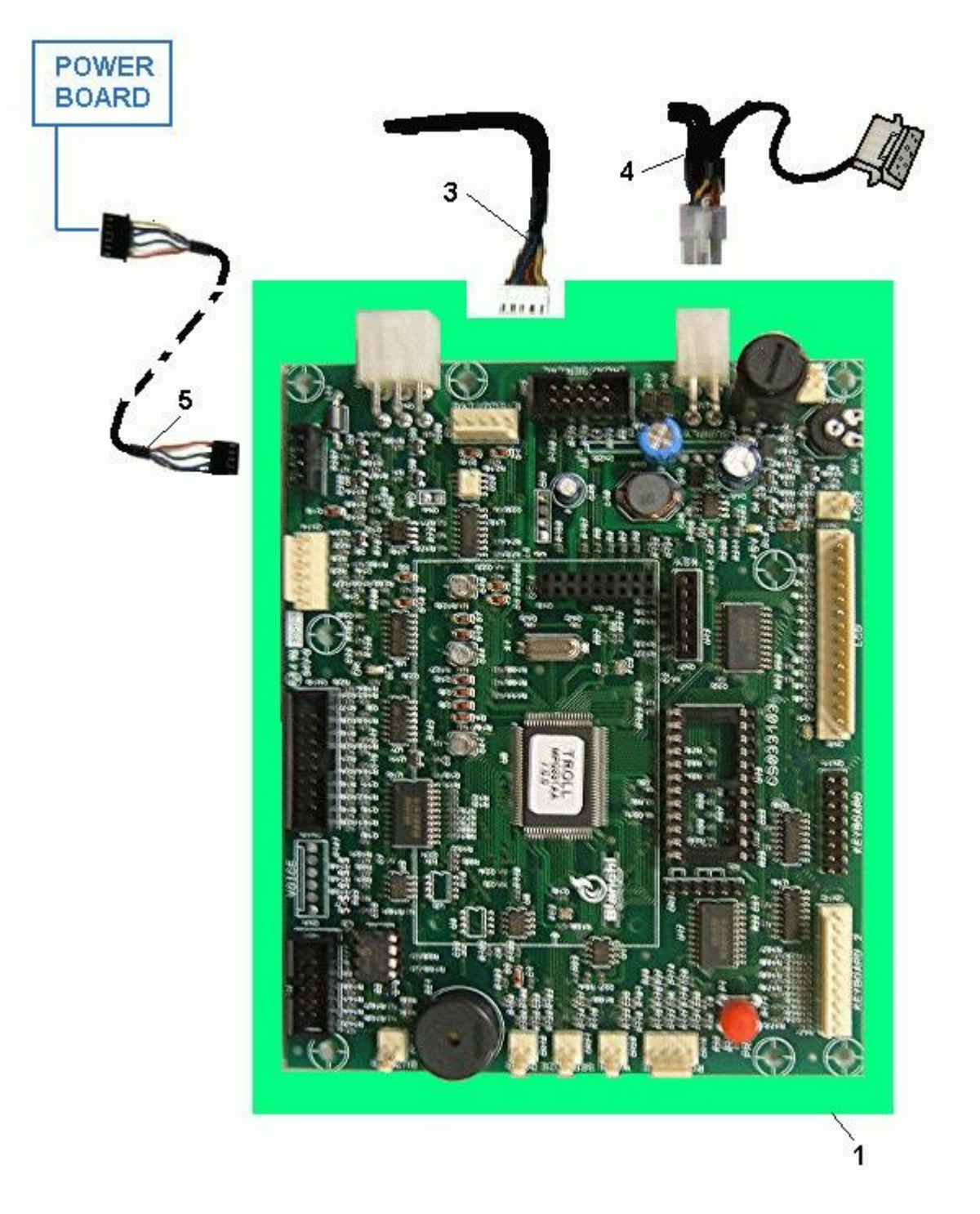
Table: ELECTRIC COMPONENTS AND WIRES (386)



ELECTRIC COMPONENTS AND WIRES (386) - Items detail

Position	SPARE PARTS CODE VARIANT	Accessories	DESCRIPTION	For each main Item multiply q.ty by
1	05097215-01M37		CHIAVE DI SERVIZIO XT-CLIX MAR	
2	94033410		C/O SCAT. INTERRUTTORE BVM951	
3	23014916		FUSIBILI 10 AMP.	
4	23014416		PRESA 2P+T	
5	23017316		PORTAFUS.A SCATTO 6.3x32	
6	26016726		INTER.DI SICUREZZA	
7	01815611		SCATOLA INTERRUTTORE E PRESA	
8	22173012-01		CABL. INTERRUTTORE BVM 950	
9	26026326		FILTR.RETE ATT-SCATT.C/CAVO A	
10	20006316		ASPIRAT.SIRIO-ORION-ANTARES	
11	22172912-01		CABL.GENERALE BVM950	
12	23039126		LAMPADA PLAFON. + CAVO 230V 8W	
13	01812311		OMEGA SUPERIORE NEON BVM 951	
14	22172812		CABL.PORTA BVM950	
15	23038816		MORSETTIERA PER BVM	
16	41081626		KIT TUBO NEON X LAMPAD.PLAF.8W	
17	23039116		LAMPADA PLAFON.+CAVO230V 6W	
18	41081616		KIT TUBO NEON X LAMPAD.PLAF.6W	

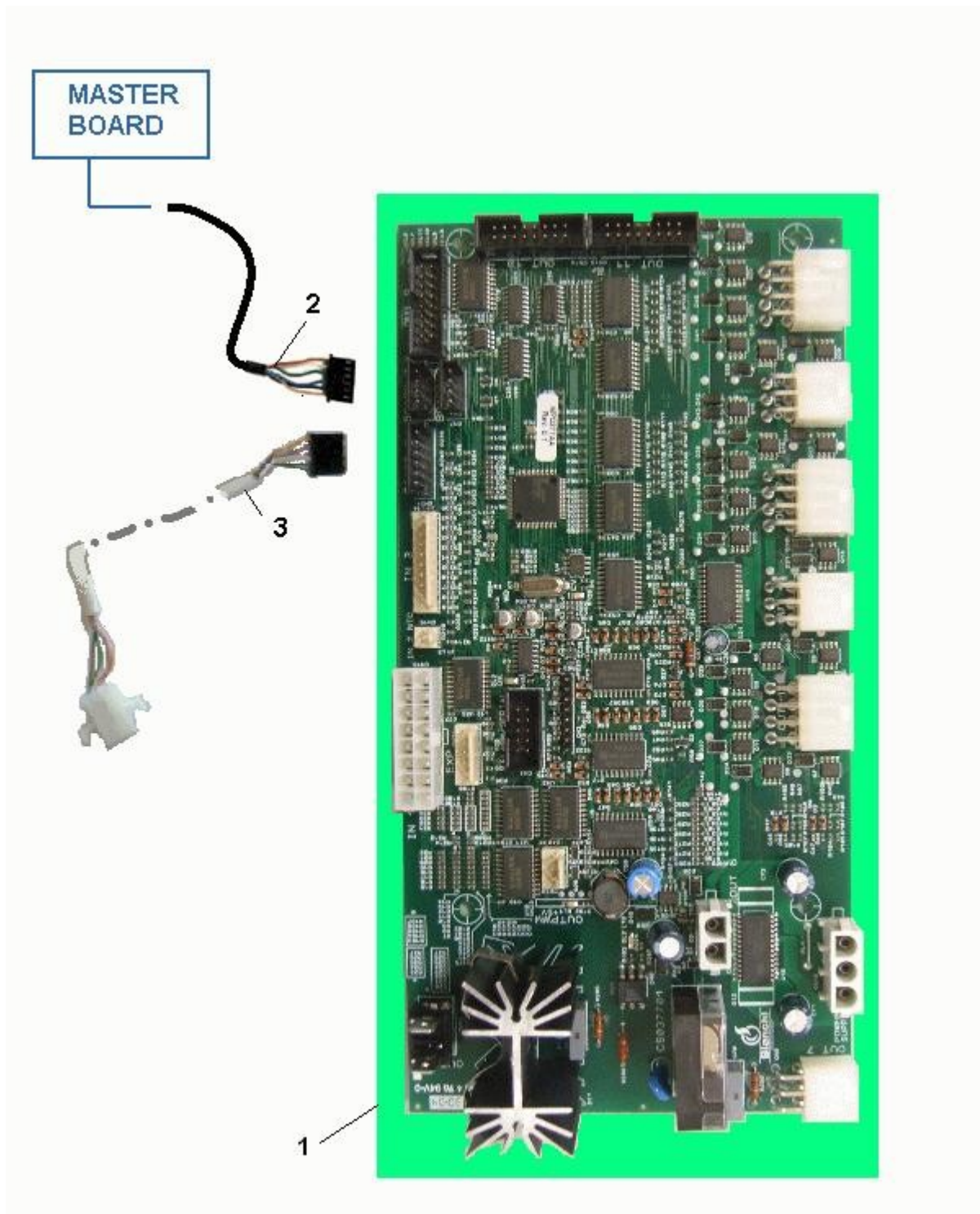
Table: MASTER ELECTRONIC BOARD (387)



MASTER ELECTRONIC BOARD (387) - Items detail

Position	SPARE PARTS CODE VARIANT	Accessories	DESCRIPTION	For each main Item multiply q.ty by
1	26027336		SCHEDA MASTER SMT	
3	22084222-01		CAVO INTERFAC. EXECUTIVE 24V	
4	22172312		CABL.MDB+ALIM.EXECUT.SIRIO BV	
5	43020012		CABLAG.DA SCH MASTER A POT.SMT	

Table: POWER ELECTRONIC BOARD (388)



POWER ELECTRONIC BOARD (388) - Items detail

Position	SPARE PARTS CODE VARIANT	Accessories	DESCRIPTION	For each main Item multiply q.ty by
1	26048416		SCHEDA POTENZA SMT	
2	43020012		CABLAG.DA SCH MASTER A POT.SMT	
3	22125052		CAVO PER MASTER/SLAVE	

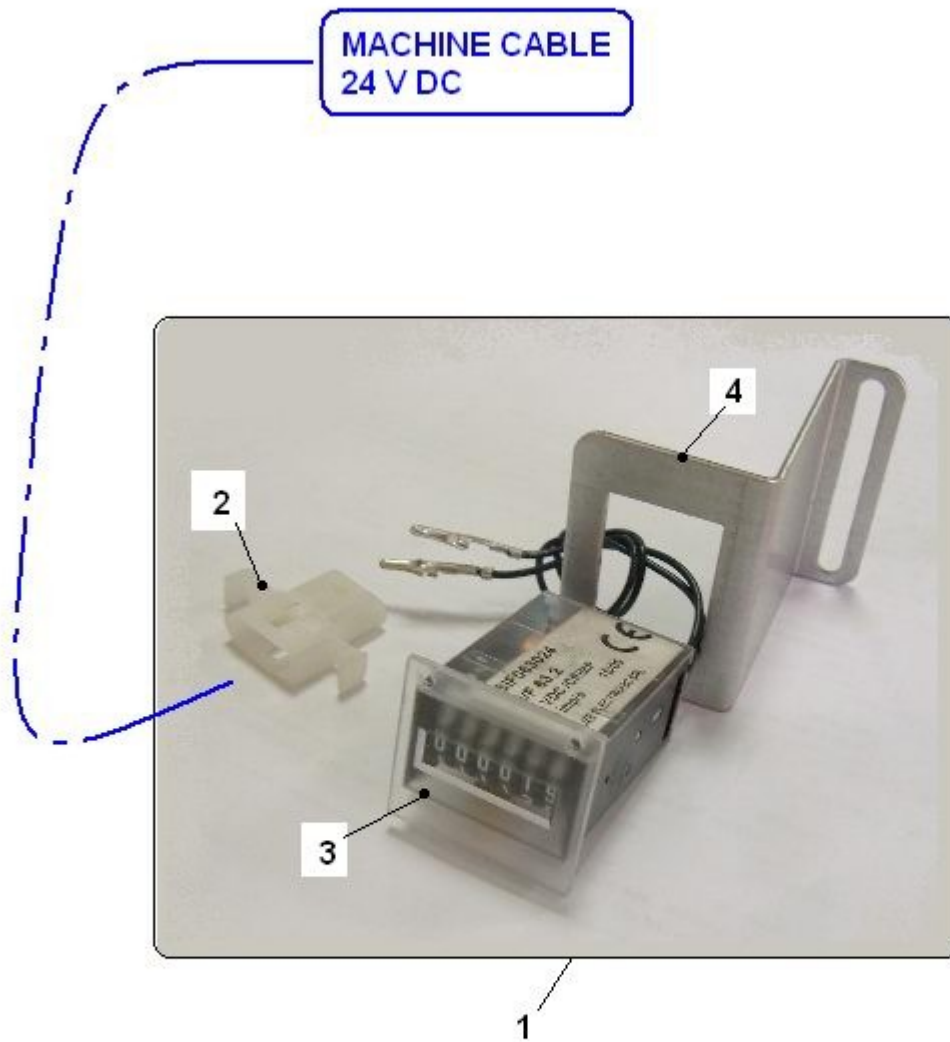
Table: MAIN POWER SUPPLY - SWITCHING (389)



MAIN POWER SUPPLY - SWITCHING (389) - Items detail

Position	SPARE PARTS CODE VARIANT	Accessories	DESCRIPTION	For each main Item multiply q.ty by
1	26048316		ALIMENT.SWITC.230/110Vac-24Vd	
3	41080110		KIT SWITCHING	

Table: ELECTROMECHANICAL COUNTER KIT (545)



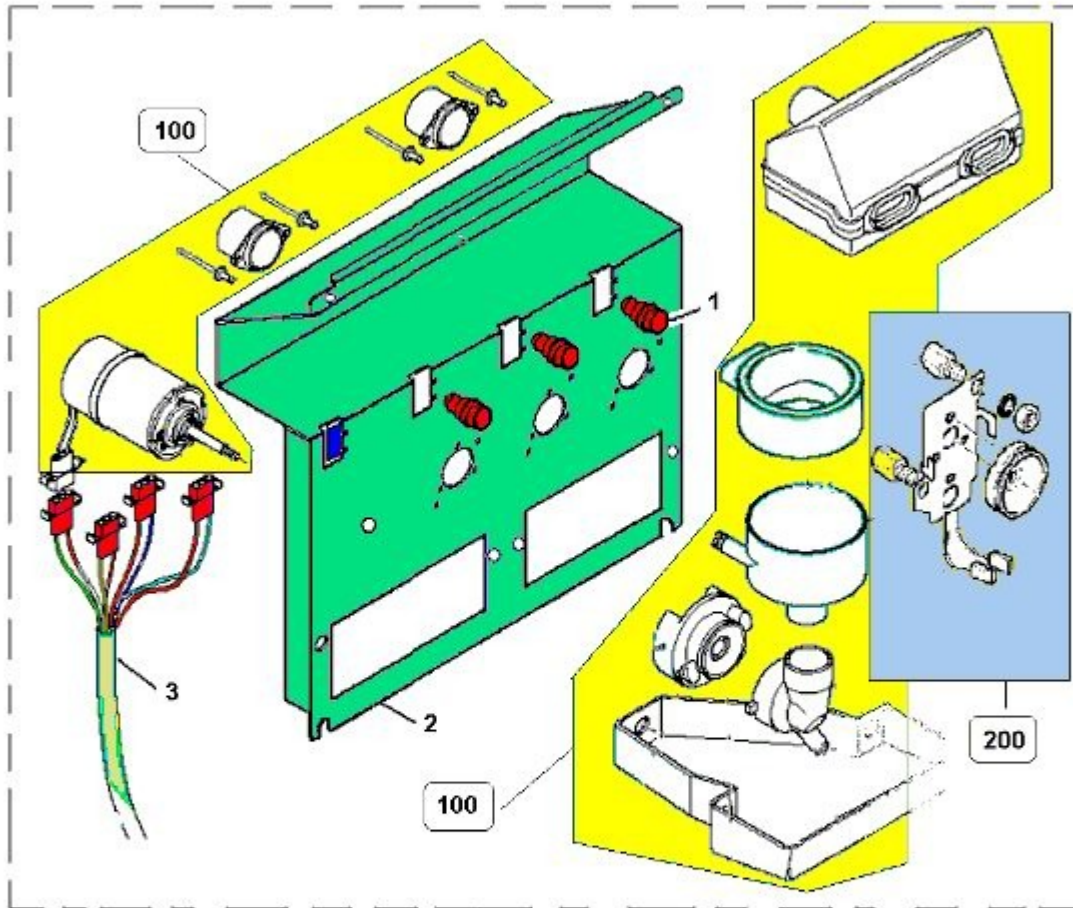
ELECTROMECHANICAL COUNTER KIT (545) - Items detail

Position	SPARE PARTS CODE VARIANT	Accessories	DESCRIPTION	For each main Item multiply q.ty by
1	43030310		KIT CONTACOLPI	
2	23009616		CONNETTORE F.TRE VIE	
3	28001156		CONTACOLPI 24 VDC INN.RAPIDO	
4	01669111-01		SQUADRETTA SUPPORTO CONTACOLP	

Tables of group :

-  **Coffee Machines**
-  **BVM 951 - Free Standing**
 -  **BV951ES01GG - BVM951 E4S MC GRAF**
 -  **INSTANT ASSEMBLY**

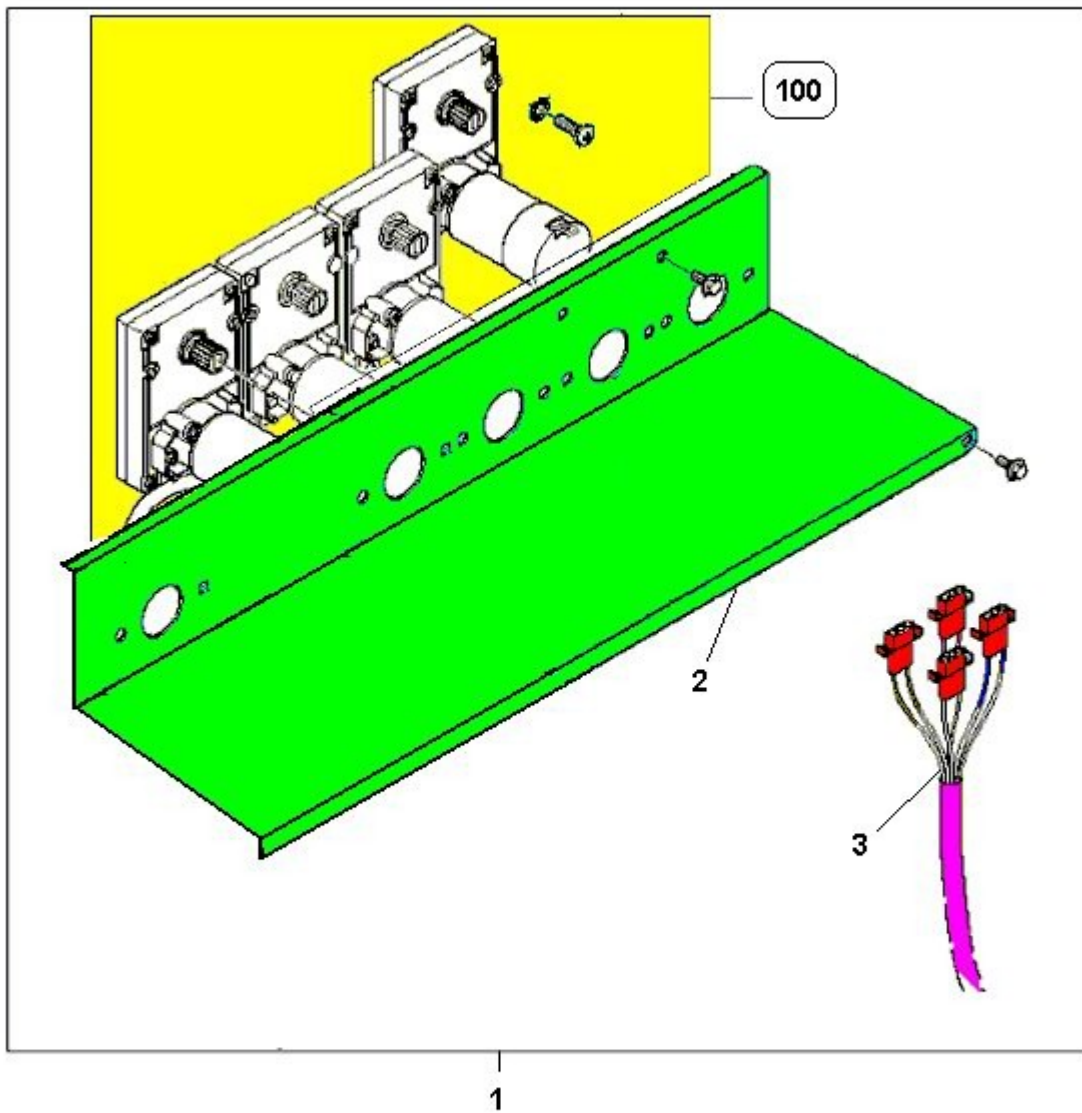
Table: MIXERS GROUP SUPPORT ASSEMBLY (397)



MIXERS GROUP SUPPORT ASSEMBLY (397) - Items detail

Position	SPARE PARTS CODE VARIANT	Accessories	DESCRIPTION	For each main item multiply q.ty by
1	05132525		RACC.P-GOMMA TB 3x5 MARRONE	
2	01660011-02		PIASTRA SUPP.FRULL.ANT-E5S	
3	22173212		CABL.MOTOFRULLATORI BVM950	
4	96055420		C/O SUPP.MOTOFR.ANT-BVM951	
100	See Table "MIXERS COMPONENTS (405)" - Pag. 92			
200	See Table "PREHEATED MIXING CHAMBER (406)" - Pag. 94			

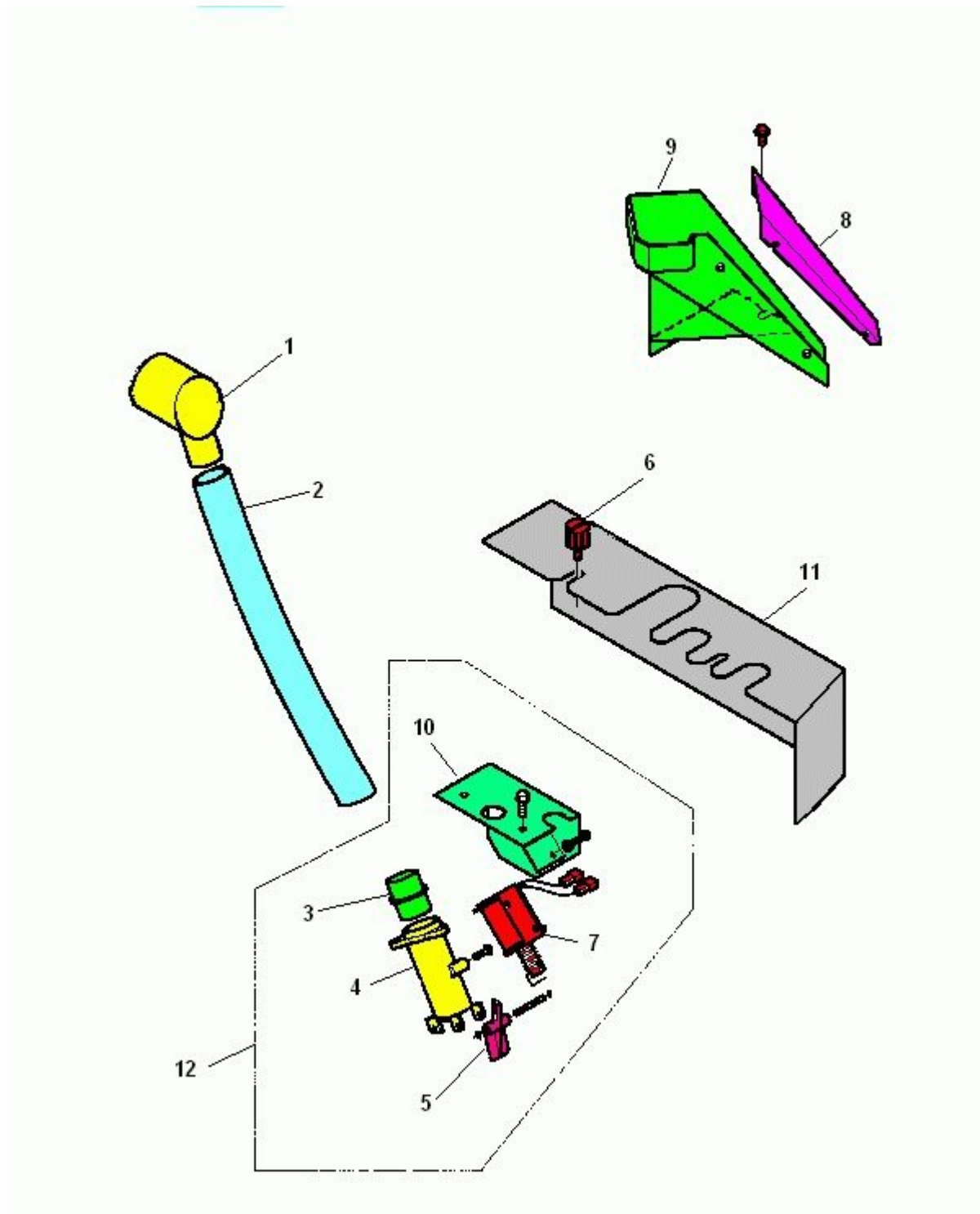
Table: MOTORS GROUP (396)



MOTORS GROUP (396) - Items detail

Position	SPARE PARTS CODE VARIANT	Accessories	DESCRIPTION	For each main Item multiply q.ty by
1	96056120		C/O SUPP.SCAT/MOTOR.ANT-BVM95	
2	01660112-02		ASS. SUPP. SCATOLE ANT. E5S	
3	22173112		CABL.MOTORIDUTTORI BVM950	
100	See Table "MOTORS (401)" - Pag. 96			

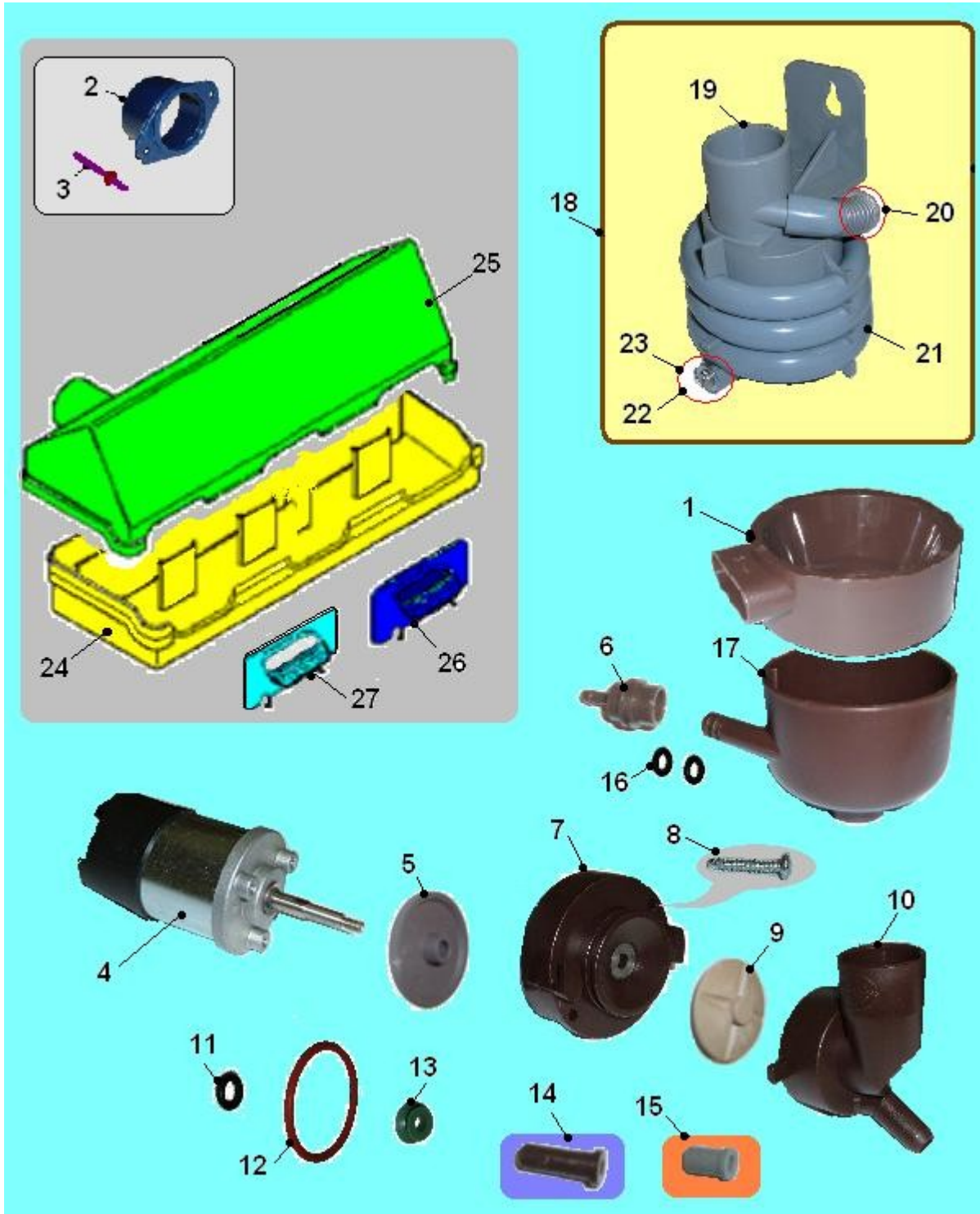
Table: SUGAR DOSER (407)



SUGAR DOSER (407) - Items detail

Position	SPARE PARTS CODE VARIANT	Accessories	DESCRIPTION	For each main Item multiply q.ty by
1	05123015		BOCCHETTA PER ZUCCHERO	
2	09027653		TUBO PVC CRISTALLO 20X26	
3	05096215		RACCORDO PER TUBO ZUCCHERO	
4	05104715M37		FLANGIA EROGAZ.ZUCCHERO MARRON	
5	05123715		LEVA PER DOSATORE	
6	19043511		POMOLO DI FISSAGGIO=19043521	
7	20008946		ELETTR. 15% 24V.DC	
8	05138025		COPERCH.SCIV.ZUCCH.MARR.ANT.	
9	05137925		SCIV.ZUCCH.MARRONE ANTARES	
10	01519612		AS.SUPP. X ZUCCHERO ANTARES	
11	01518911-02		COPERT.EROG.ZUCCHERO ANTARES	
12	96032810		COMPL.SUPP.EROGAZ.ZUCCH.ANTARE	

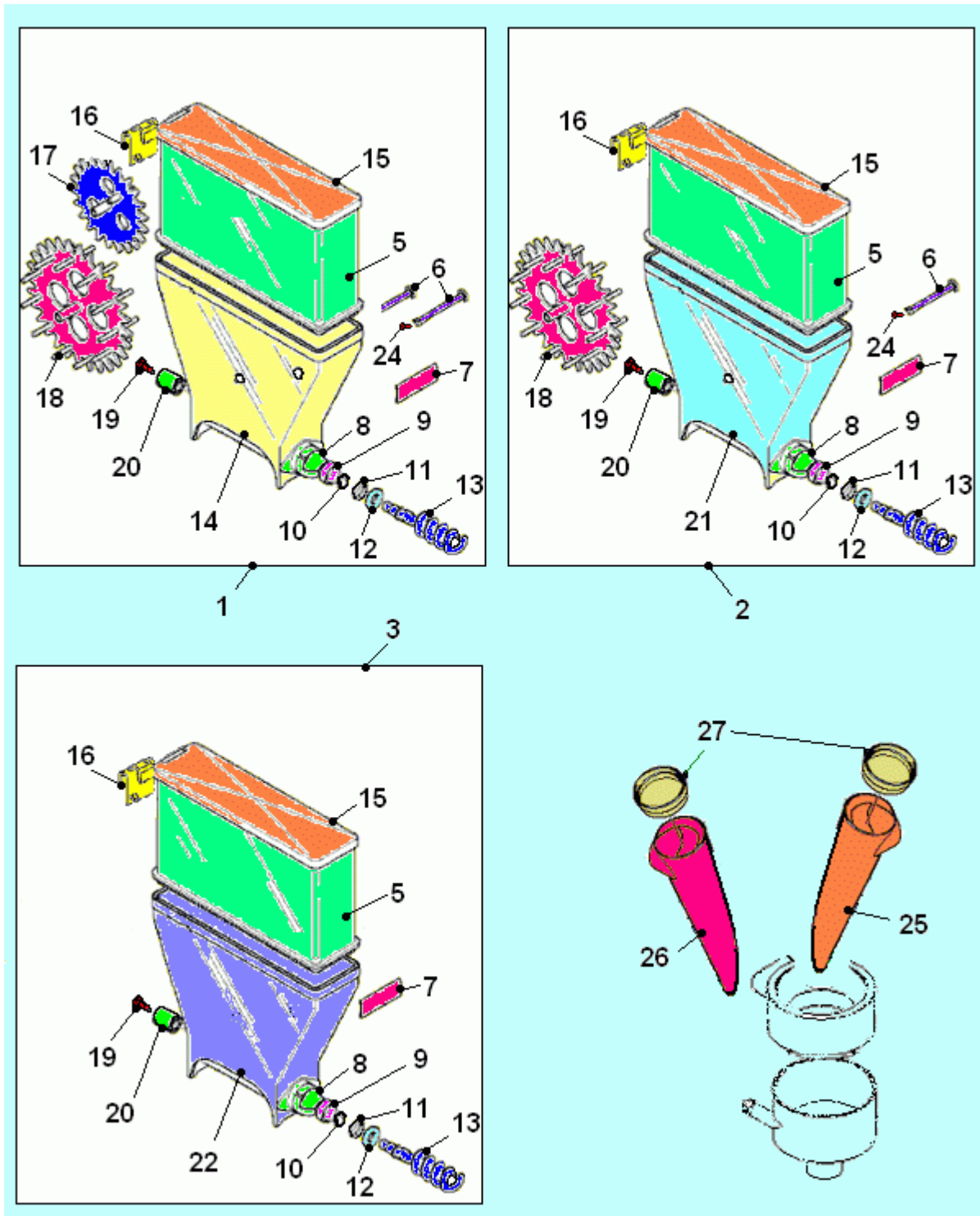
Table: COMPONENTI PER MISCELATORI (644)



COMPONENTI PER MISCELATORI (644) - Items detail

Position	SPARE PARTS CODE VARIANT	Accessories	DESCRIPTION	For each main Item multiply q.ty by
1	05113825		COPERCH.ASPIRAT.(MISC.BIA)MAR	
2	05071915		BOCCHETTONE PER ASPIRATORE	
3	33050126		RIVETTO D.3,2X8	
4	20020016-01		MOTOFR.24V.DC ALB-FILET.S/CABL	
5	05154015		DISCO PROTEZ. MOTOFRULLATORE	
6	05132525		RACC.P-GOMMA TB 3x5 MARRONE	
7	05133242		FLANG.MISCELAZ.POM C/ROND.MAR	
8	32224356		VITE AUTOF.TMTB 3,9x22 S/PUNTA	
9	05111825		GIRANTE MISC.COPP-RISC.	
10	05111625		CAMERA MISCELAZ.(BIANCHI)MARR	
11	36210416		GUARNIZIONE OR 2018	
12	36210716		GUARNIZIONE OR 3131 SIL.	
13	36351215		GUARNIZIONE V SEAL V-SEAL VERD	
14	05102225		RIDUT.CAM-MISCELAZ.MARRONE	
15	05132015M37		RIDUT.PORTATA LATTE MARRONE	
16	36203816		O-RING 106 6,75/1,78	
17	05113745		COPPETTA MISCEL.PED-L=10 MARR	
18	43027810		ASS.SERPEN.THE PLS ANT-PEG MAR	
19	05141825		SUPP.SERPENT.THE PLS MARRONE	
20	07017711		MOLLA SERPENTINA THE	
21	09087843-01		TUBO SIL.SZ.7X11 MARRONE	
22	32010216		VITE A/F 3x10	
23	35168616		ROND-PIANA D. 3,2X9X1 ZN	
24	05116825		CASSET.ASPIR.3 VAP.MARRONE	
25	05116925		COPERCH.CASS-ASPIR.3 VAP.MARR	
26	05117215		TAPPO CASSETT. ASPIR. VAPORI	
27	05117615		BOCCHETT. CASSET. ASPIR. VAPOR	

Table: SCATOLE DOSATRICI (686)



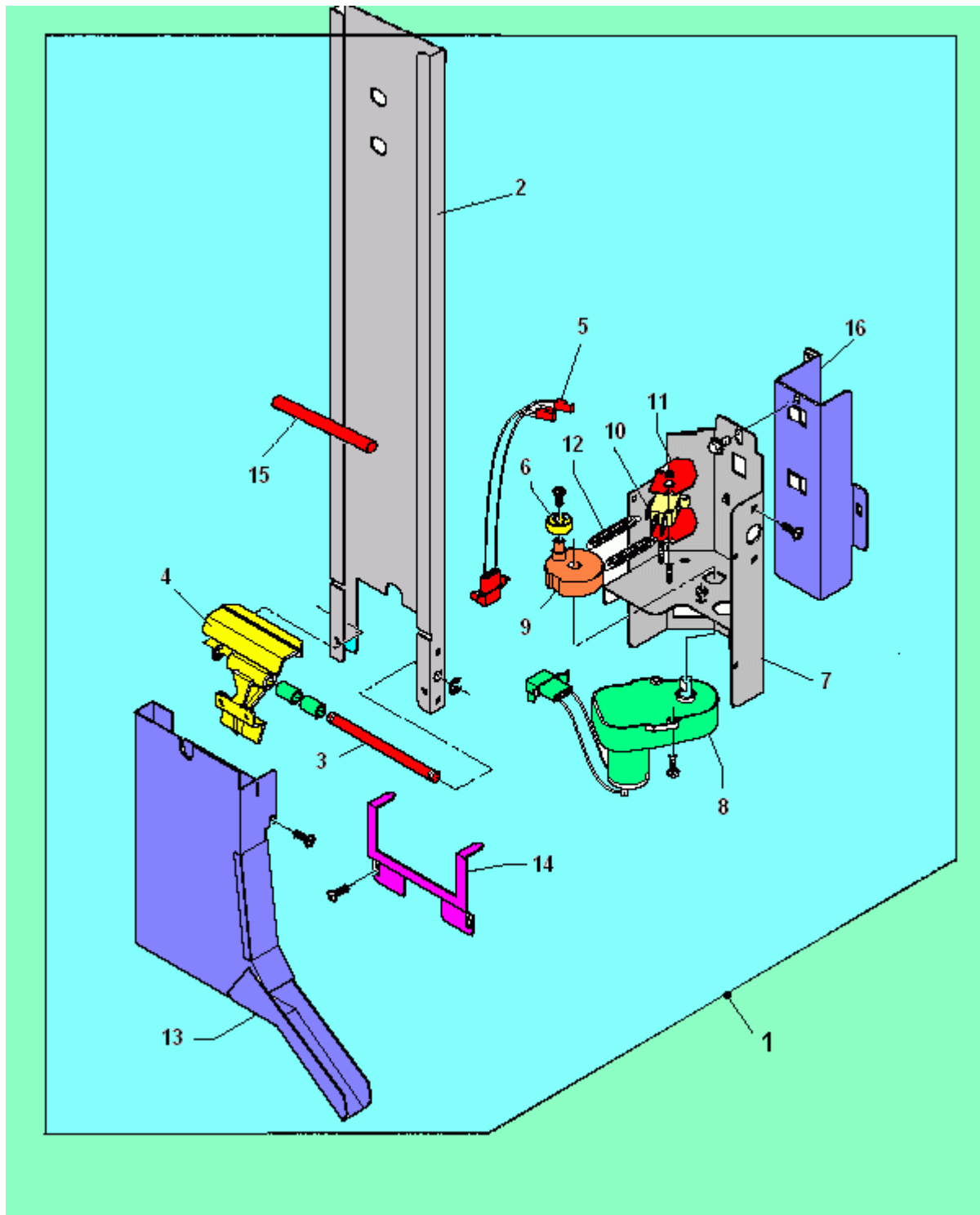
SCATOLE DOSATRICI (686) - Items detail

Position	SPARE PARTS CODE VARIANT	Accessories	DESCRIPTION	For each main Item multiply q.ty by
1	96035940-01		C/O SC-DOS 2/R PROL-100MM	
2	96035850-01		C/O SC-DOS 1/R PROL-100MM	
3	96035740-01		C/O SC-DOS S/R PROL.-100 MM	
5	05112735		SCAT.DOS-SUP.L=100	
6	05133115-01		PERNO SC-DOS	
7	05113415		GANCIO SERRAGGIO SCATOLA	
8	05158515-01		BOCCHET.EROG.SCAT.DOS.	
9	05112535		BOCCOLA PERNO COCLEA X GUARN.	
10	36200616		GUAR.O-RING 15X2	
11	36250016		GUARNIZIONE	
12	05113215		BOCCOLA DI TENUTA X COCLEA	
13	05124515		COCLEA DI ESTRAZIONE	
14	05158615-01		SCAT.DOS.-INF. X 2 RUOTE	
15	05112915		COPERCHIO SCATOLA	
16	05113015		GANCIO APPOGGIO SCATOLA	
17	05112315		RUOTA DENTATA SECONDARIA	
18	05112215-01		RUOTA DENT. SCAT. DOS. PRINCIP	
19	32222916		VITE AUTOFILETTANTE 2,9x13	
20	05113315		GIUNTO PER COCLEA	
21	05158625-01		SCAT.DOS.-INF. X 1 RUOTA	
22	05158635-01		SCATOLA DOS.INF. X S/RUOTA	
24	05160215		TASSELLO PER PERNO SCATOLE	
25	05160665		IMBUTO POLV.SX L=101 MARRONE	
26	05160655		IMBUTO POLV.DX L=101 MARRONE	
27	05160415-01M37		TAPPO SCIV. POLVERE MARRONE	

Tables of group :

-  **Coffee Machines**
-  **BVM 951 - Free Standing**
 -  **BV951ES01GG - BVM951 E4S MC GRAF**
 -  **PRODUCT DELIVERY**

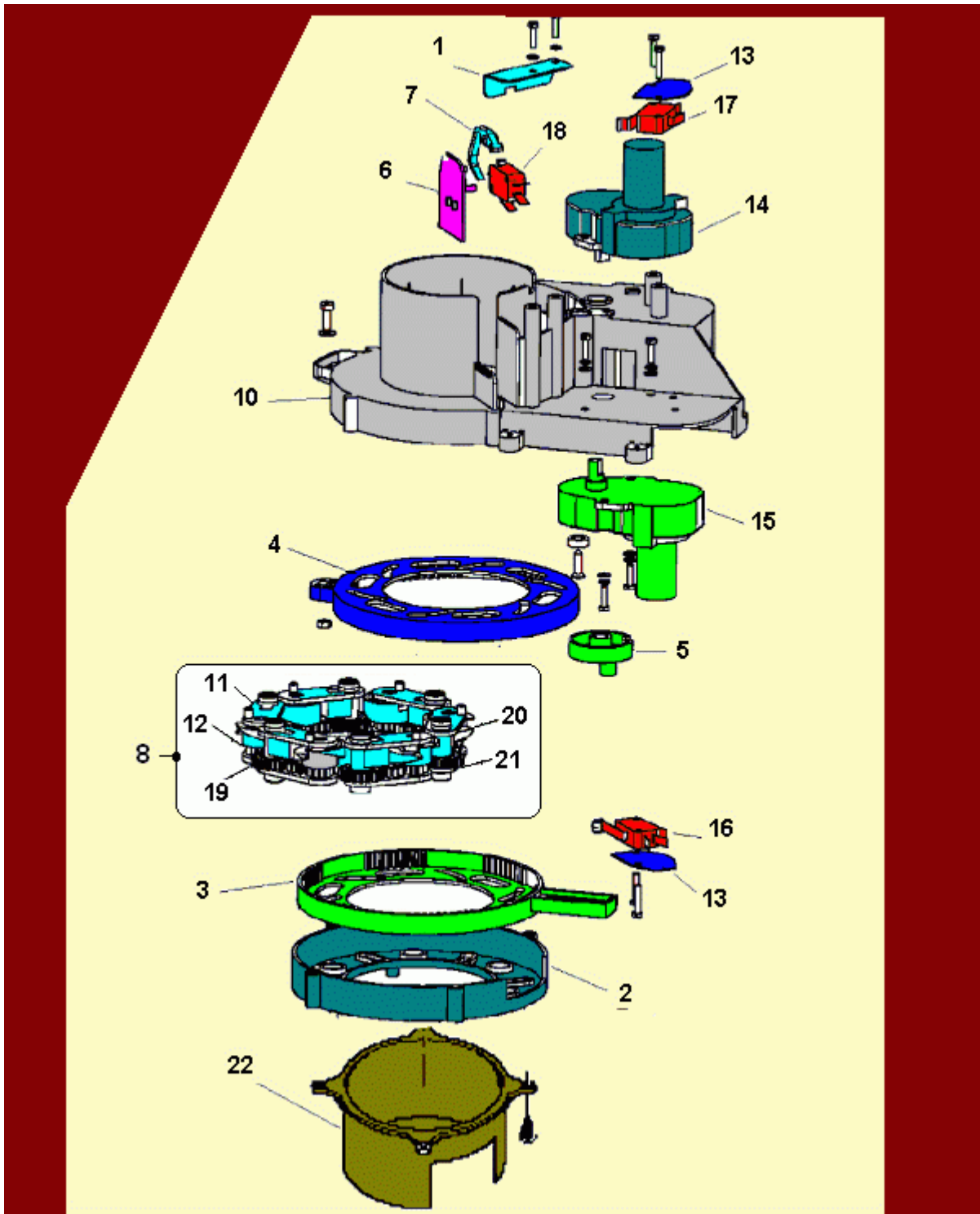
Table: DETAILS FOR : SPOONS DISPENSER(89)



DETAILS FOR : SPOONS DISPENSER(89) - Items detail

Position	SPARE PARTS CODE VARIANT	Accessories	DESCRIPTION	For each main Item multiply q. ty by
1	91006710		C/O DISTR.PALET.ANTARES L=90	
2	01801011		CONT. PALETTE ANTARES L=90	
3	12014911		ALBERINO X PALETTIERA	
4	05103915-01M37		ESPULSORE PALETTE MARRONE	
5	22123212		CORD.B-T MICRO PALET.ANTARES	
6	05104915		RUOTA PER CAMMA PALETTE	
7	01592112-02		ASS.TEL.DISTR.PALET.ANTARES	
8	20022016-01		MOTORID.24VDC 12RPM 2,2nF 100V	
9	05104015		CAMMA MICRO PALETTE ORION	
10	26005126		MICRO CON ROTELLA -BT-	
11	08004111		ISOLANTE MICRO	
12	07017211		MOLLA PER ESPULSORE PALETTE	
13	01600312-01		ASS.SCIV.PALET.ANTARES	
14	01487921		SQUADRET.CORREZ.ESPULSIONE CUC	
15	12004611-01		PESO X CUCCHIAINI L=90mm	
16	01707111		SUPPORTO PALETTIERA	

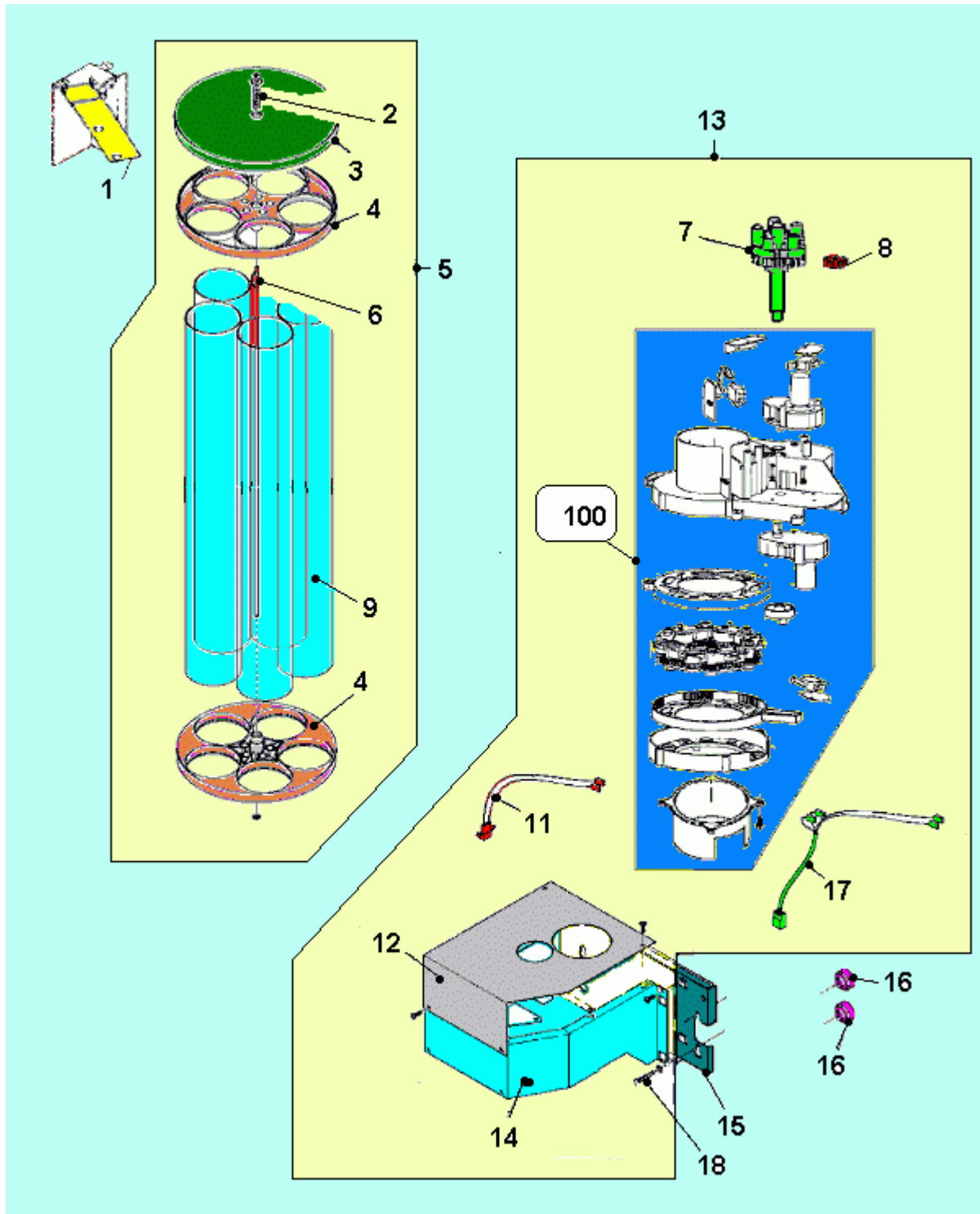
Table: BIANCHI CUP DISPENCER(27)



BIANCHI CUP DISPENCER(27) - Items detail

Position	SPARE PARTS CODE VARIANT	Accessories	DESCRIPTION	For each main Item multiply q.ty by
1	01576411		SQUADRA SUPP. MICRO	
2	05120615M37		COPERCH.INF.SG-BIC MARRONE	
3	05120815M37		GHIERA ESPULS.BICCH. MARRONE	
4	05120915M37		GHIERA REGOL.DIAM.SG-BIC MARR.	
5	05121115		CAMMA MOVIMENTAZ. GHIERA	
6	05121215		SUPPORTO MICRO	
6	05121215-01M37		SUPP.MICRO SG-BICCH MARRONE	
7	05121315-02		SENSORE PRESENZA BICCHIERI	
8	05131010		GRUPPO AZIONAM.SG-BICCH.	
10	05140115M37		COPERCH.SUP.C/POP-ALTE MARRON	
11	05121915		SUPP.SUP.CHIOCCIOLA SG-BIC	
12	05121715		PIGNONE FOLLE SG-BIC	
13	08004111		ISOLANTE MICRO	
14	20018416-01		MOTORID.24VDC 12RPM 2,2nF 100V	
15	20019316-01		MOTORID. 24VDC XXGM 2,2nF 100V	
16	26005136		MICRO CON ROTELLA XGM2-81-S21	
17	26005156		MICRO C/LEVA SAGOMATA	
18	26017016		MICRO S/LEVA 10GR. -BT-	
19	05121515		CHIOCCIOLA X SG-BIC	
20	05121615		PIGNONE MOV.CHIOCCIOLA SG-BIC	
21	05121815		SUPP.INF.CHIOCCIOLA SG-BIC	
22	05121015		IMBUTO BICCH. SGANCIABICCHIERI	

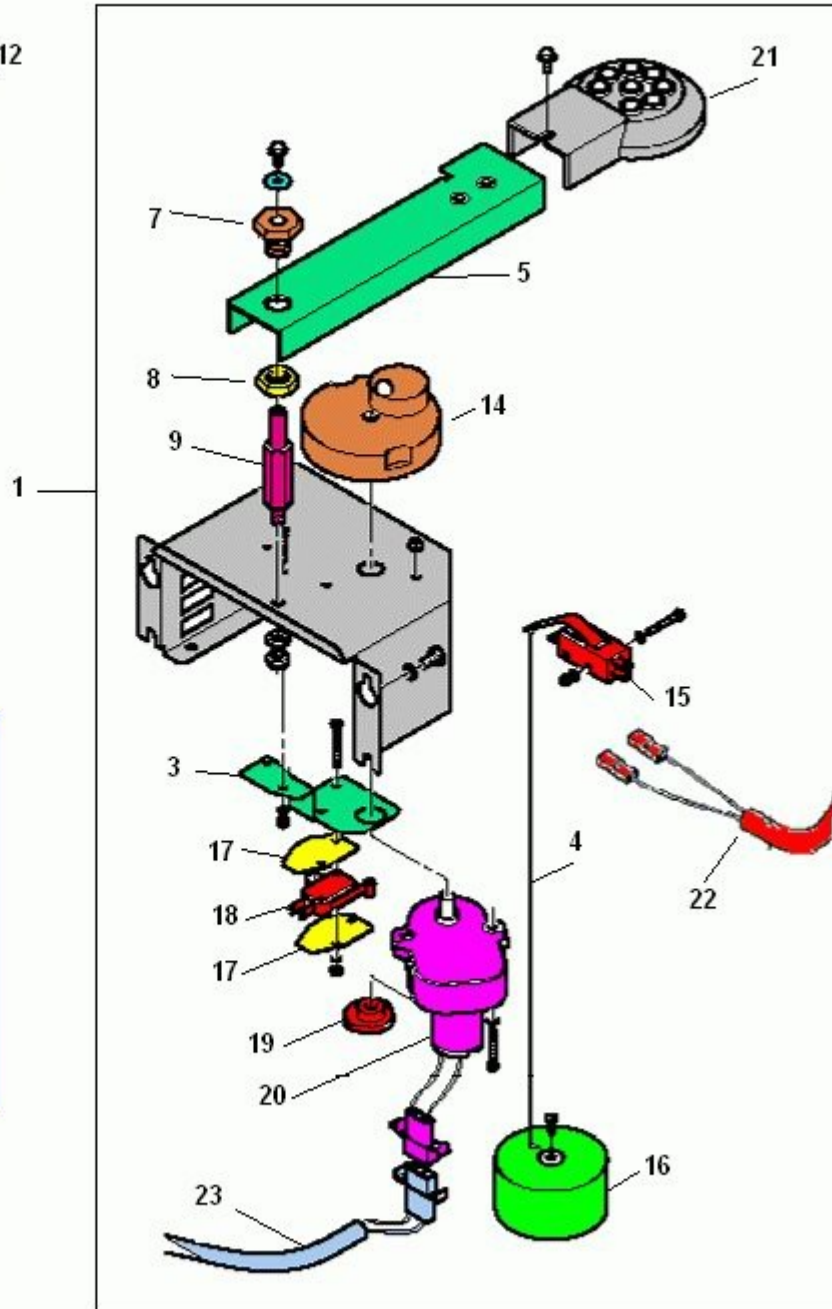
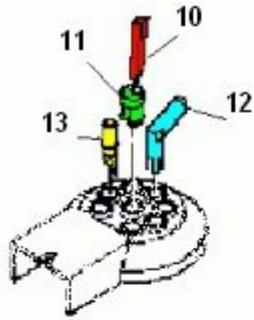
Table: BIANCHI CUP DISPENSER AND CUP TURRET



BIANCHI CUP DISPENCER AND CUP TURRET - Items detail

Position	SPARE PARTS CODE VARIANT	Accessories	DESCRIPTION	For each main Item multiply q. ty by
1	01606711		FERMO TAMBURO BICCH.	
2	07020711		MOLLA X ASS.TAMBURO	
3	05146115		COPERCHIO TAMBURO BICCHIERI	
3	05146115M37		COPERCH.TAMBURO BICCH. MARRONE	
4	05135615		DISCO TAMB.SG-BICCHIERI	
4	05135615M37		DISCO TAMB.SG-BICCH.MARRONE	
5	28006940		ASS. TAMBURO BICCH. ANTARES	
6	19059321		TIRANTE TAMB-BICCH.ANTARES	
7	05136015		CAMMA ROTAZ. TAMB. BICCHIERI	
8	05136115		PIGNONE MOTORE SGANCIABICCHIER	
9	09094121		TUBO PVC A/S TRASP.75X77 L-521	
11	22120912		CORD 24V SGANC BICH	
12	01587311-02		COPERCH.SG-BICCH.	
13	28007010-01		COMPL. SGANCIABICC. X TAMBURO	
14	01587211-02		TEL. SG-BICCHIERI	
15	01607011-02		SUPPORTO SGANCIATORE BICCHIERI	
16	19055611		DIST. PER SUPP. SGANCIA BICCH.	
17	22120812		CORD.B-T SG-BICCH.	
18	32091016		VITE TE 5MA X 30	
100	See Table "BIANCHI CUP DISPENCER (27)" - Pag. 86			
100	See Table "BIANCHI CUP DISPENCER(27)" - Pag. 54			

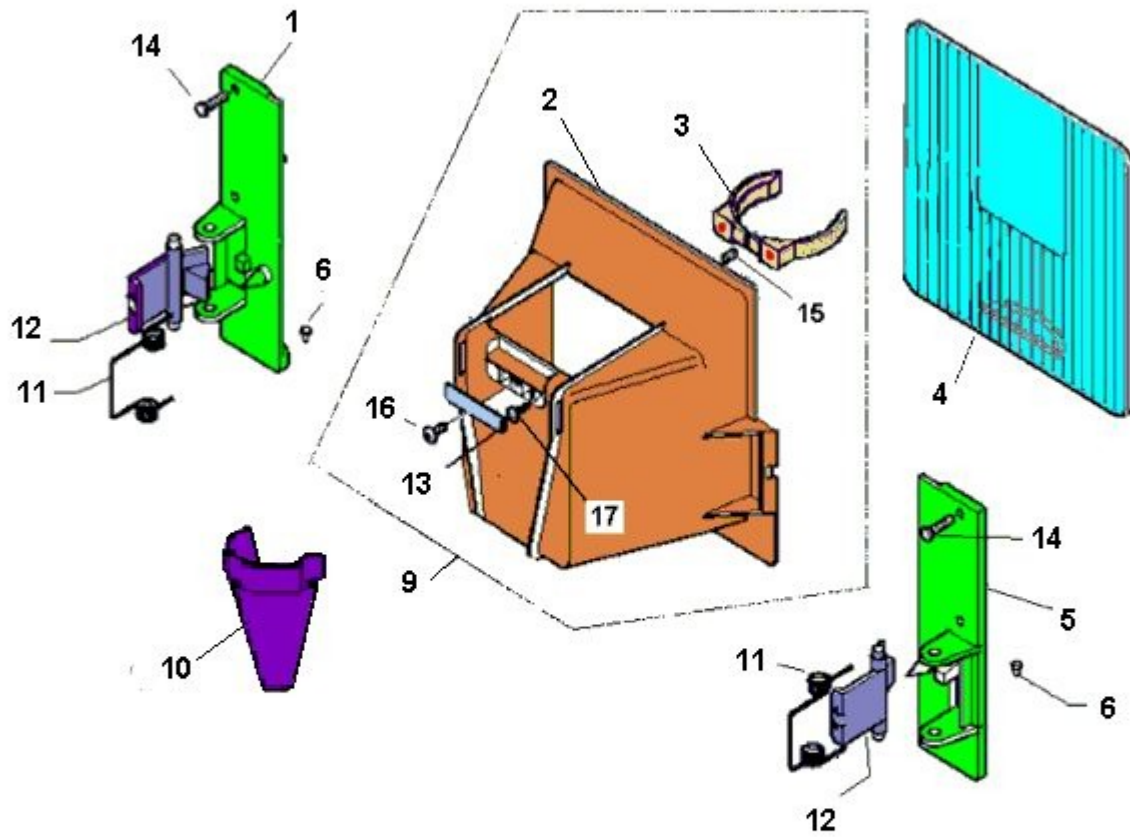
Table: NOZZLES SUPPORT(95)



NOZZLES SUPPORT(95) - Items detail

Position	SPARE PARTS CODE VARIANT	Accessories	DESCRIPTION	For each main item multiply q.ty by
1	96032720		C/O SUPP.UGELLI ANTARES DEC.	
2	09031113		TUBO LEVIFLEX 28X33	
3	01630011-01		SQUADR. SUPP. MICRO	
4	22130312		CORD. MICRO GALLEG. OR-GP	
5	01509811-01		BRACC.SUPP. UGELLI ANTARES	
6	01511112-02		ASS.BRACC.SUPP.UGELLI ANTARES	
7	19057411		BUSSOLA PER BRACCIO UGELLI	
8	04014111		DADO ESAG.1/4 GAS	
9	19057311		PERNO BRACCIO UGELLI ANTARES	
10	05099715-01		UGELLO CAPILLARE L=48	
11	05099615		BUSSOLA	
12	05089815-01		BECCUCC.EROGAZ.A GOMITO	
12	05089825		BECCUC.EROGAZ.A GOMITO MARRON	
13	05096025		BECCUCCIO EROGAZIONE DIRITTO	
13	05096035		BECCUC.EROGAZ.DIRIT.SMUS.MARR	
14	05089715		CAMMA TRASCINAMENTO BECCUCCI	
14	05089715M37		CAMMA TRASC. BECCUCCI MARRONE	
15	26013726		MICRO X TROPPO PIENO MOD.ROLD	
16	05074412		ASS.GALLEGGIANTE	
17	08004111		ISOLANTE MICRO	
18	26005126		MICRO CON ROTELLA -BT-	
19	05110715		CAMMA MICRO ORION	
20	20018816-01		MOTORID.24VBIALBERO 2,2nF 100V	
21	05089925-01M37		FLANG.SUPP.BECCUC.8 POS. PA66	
22	22130312		CORD. MICRO GALLEG. OR-GP	
23	22111312		CORD. SUPP.BECCUCCI BT ANTARES	

Table: CUP STATION (88)



CUP STATION (88) - Items detail

Position	SPARE PARTS CODE VARIANT	Accessories	DESCRIPTION	For each main item multiply q.ty by
1	05103425		SUPP. SX VANO EROGAZ. NERO	
2	05103225		VANO EROGAZ. ORION NERO	
3	05000315		FORCELLA PER BICCHIERE	
4	05103615		SPORTELLO VANO EROGAZIONE	
5	05103325		SUPP.LEVA VANO EROGAZ.NERO	
6	05099116		GOMMINO PER SFIATO	
7	05103715-01M37		VASCHETTA RACC. GOCCE MARRONE	
9	05108320		ASS. VANO EROGAZIONE NERO	
10	05103815-01		IMBUTO VANO EROGAZIONE	
11	07017311		MOLLA LEVA FERMO VANO	
12	05103525		LEVA VANO EROG.NERO	
13	05134415		PIAST.VANO EROG.	
14	32090636		VITE TE 5MA x 18 IX	
15	32110416		GRANO ESAG. INC. 5MA X 10	
16	32008726		VITE SPEC. TC M5X5 ZIN	

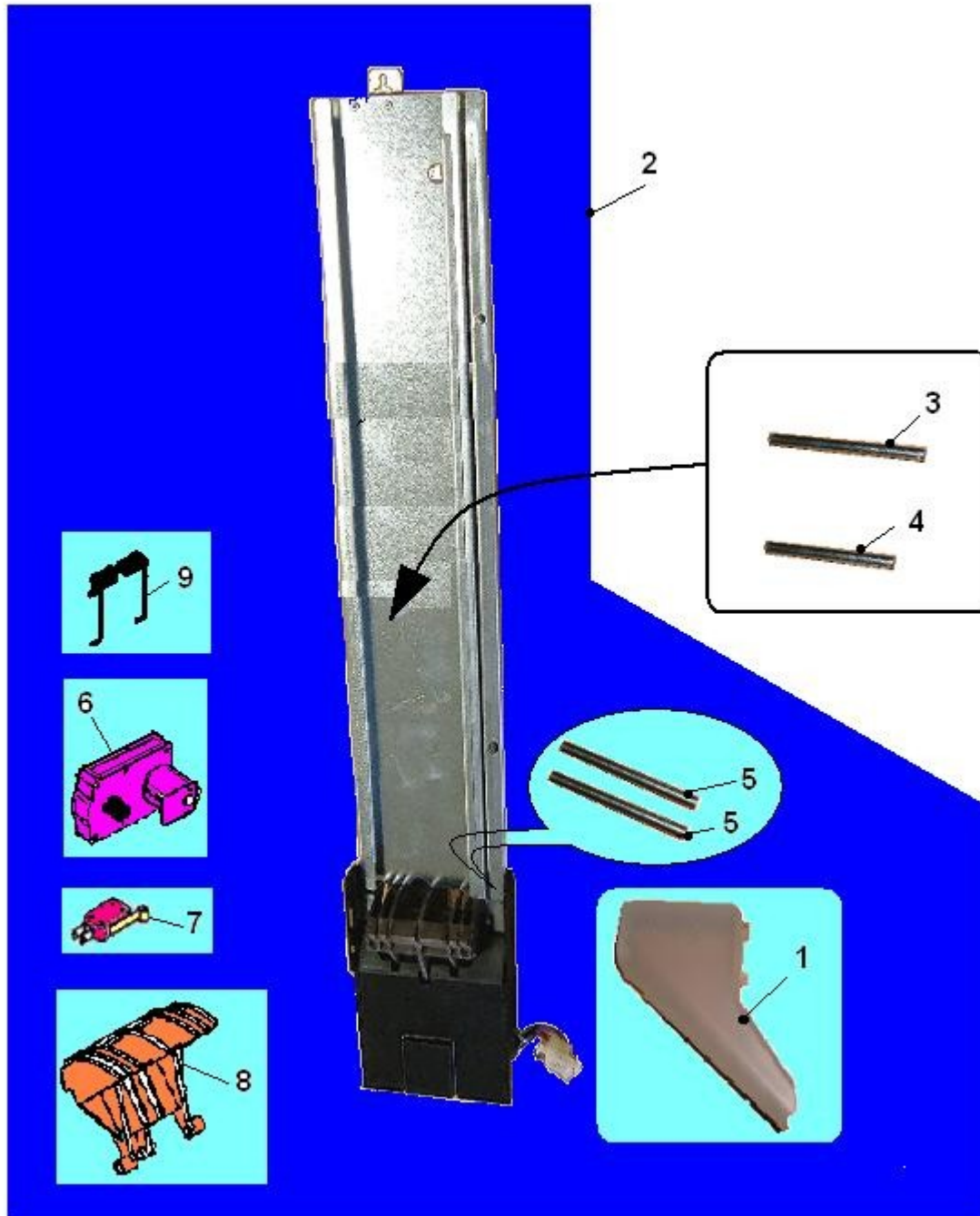
Table: KIT RETROFIT NEW SPOONS DISPENSER (597)



KIT RETROFIT NEW SPOONS DISPENSER (597) - Items detail

Position	SPARE PARTS CODE VARIANT	Accessories	DESCRIPTION	For each main Item multiply q. ty by
1	41083110		KIT RETROFIT NEW PALET.AN/BV95	
2	43029920		C/O PALET.951 90/105 COMPLETA	
3	12013611-02		PESO X CUCCHIAINI USA L=105mm	
4	12004611-01		PESO X CUCCHIAINI L=90mm	
5	12047111		RULLO PER PALETTIERA	
6	01826811		PIASTRA CONNETTORE SGANCIATORE	
7	01790021-01		SUPPORTO PALETTIERA BV951	
8	01826721-01		COPERTURA SGANCIATORE BV951	
9	01826621		TELAIO SGANCIATORE BICCH.BV95	
10	05241415M00		SCIVOLO PALETT.CADUTA DX BV951	
11	32188216		VITE TRILOBATA TC M5X12 T.CROC	
12	32222856		VITE AUTOF.	

Table: DETTAGLI PER : TAV.PALETTIERA (626)



DETTAGLI PER : TAV.PALETTIERA (626) - Items detail

Position	SPARE PARTS CODE VARIANT	Accessories	DESCRIPTION	For each main Item multiply q.ty by
1	05241415M00		SCIVOLO PALETT.CADUTA DX BV951	
2	43029920		C/O PALET.951 90/105 COMPLETA	
3	12013611-02		PESO X CUCCHIAINI USA L=105mm	
4	12004611-01		PESO X CUCCHIAINI L=90mm	
5	12047111		RULLO PER PALETTIERA	
6	20020916		MOTORID.DIST.PALETTE AMEL 24DC	
7	26029626		MICRO A TENUTA	
8	05149015-01M37		ESPULS.PALETTE MARRONE IRIS ES	
9	07021721		MOLLA ESP.PAL D.1,3 L=90/105	

Table: _DISTRIBUTORE PALETTE (656)



100

KIT RETROFIT

SPOONS DISPENCER NEW

200

SPOONS DISPENCER OLD

300

The image displays three technical diagrams for the 'DISTRIBUTORE PALETTE (656)' vending machine. The top diagram, labeled '100', shows a 'KIT RETROFIT' with various components including a main dispenser unit, two screws (3 and 4), a small metal part (11), a screw (12), a long metal strip (13), two screws (5 and 6), a small black component (7), a metal plate (10), and a small metal part (8). The middle diagram, labeled '200', shows a 'SPOONS DISPENCER NEW' with a main dispenser unit, two screws (3 and 4), a small metal part (11), a screw (12), a long metal strip (13), two screws (5 and 6), a small black component (7), a metal plate (10), and a small metal part (8). The bottom diagram, labeled '300', shows a 'SPOONS DISPENCER OLD' with a main dispenser unit, a long metal strip (13), a small metal part (11), a screw (12), a long metal strip (13), a small metal part (14), a small metal part (15), a small metal part (16), a small metal part (17), a small metal part (18), a small metal part (19), a small metal part (20), a small metal part (21), a small metal part (22), a small metal part (23), a small metal part (24), a small metal part (25), a small metal part (26), a small metal part (27), a small metal part (28), a small metal part (29), a small metal part (30), a small metal part (31), a small metal part (32), a small metal part (33), a small metal part (34), a small metal part (35), a small metal part (36), a small metal part (37), a small metal part (38), a small metal part (39), a small metal part (40), a small metal part (41), a small metal part (42), a small metal part (43), a small metal part (44), a small metal part (45), a small metal part (46), a small metal part (47), a small metal part (48), a small metal part (49), a small metal part (50), a small metal part (51), a small metal part (52), a small metal part (53), a small metal part (54), a small metal part (55), a small metal part (56), a small metal part (57), a small metal part (58), a small metal part (59), a small metal part (60), a small metal part (61), a small metal part (62), a small metal part (63), a small metal part (64), a small metal part (65), a small metal part (66), a small metal part (67), a small metal part (68), a small metal part (69), a small metal part (70), a small metal part (71), a small metal part (72), a small metal part (73), a small metal part (74), a small metal part (75), a small metal part (76), a small metal part (77), a small metal part (78), a small metal part (79), a small metal part (80), a small metal part (81), a small metal part (82), a small metal part (83), a small metal part (84), a small metal part (85), a small metal part (86), a small metal part (87), a small metal part (88), a small metal part (89), a small metal part (90), a small metal part (91), a small metal part (92), a small metal part (93), a small metal part (94), a small metal part (95), a small metal part (96), a small metal part (97), a small metal part (98), a small metal part (99), a small metal part (100).

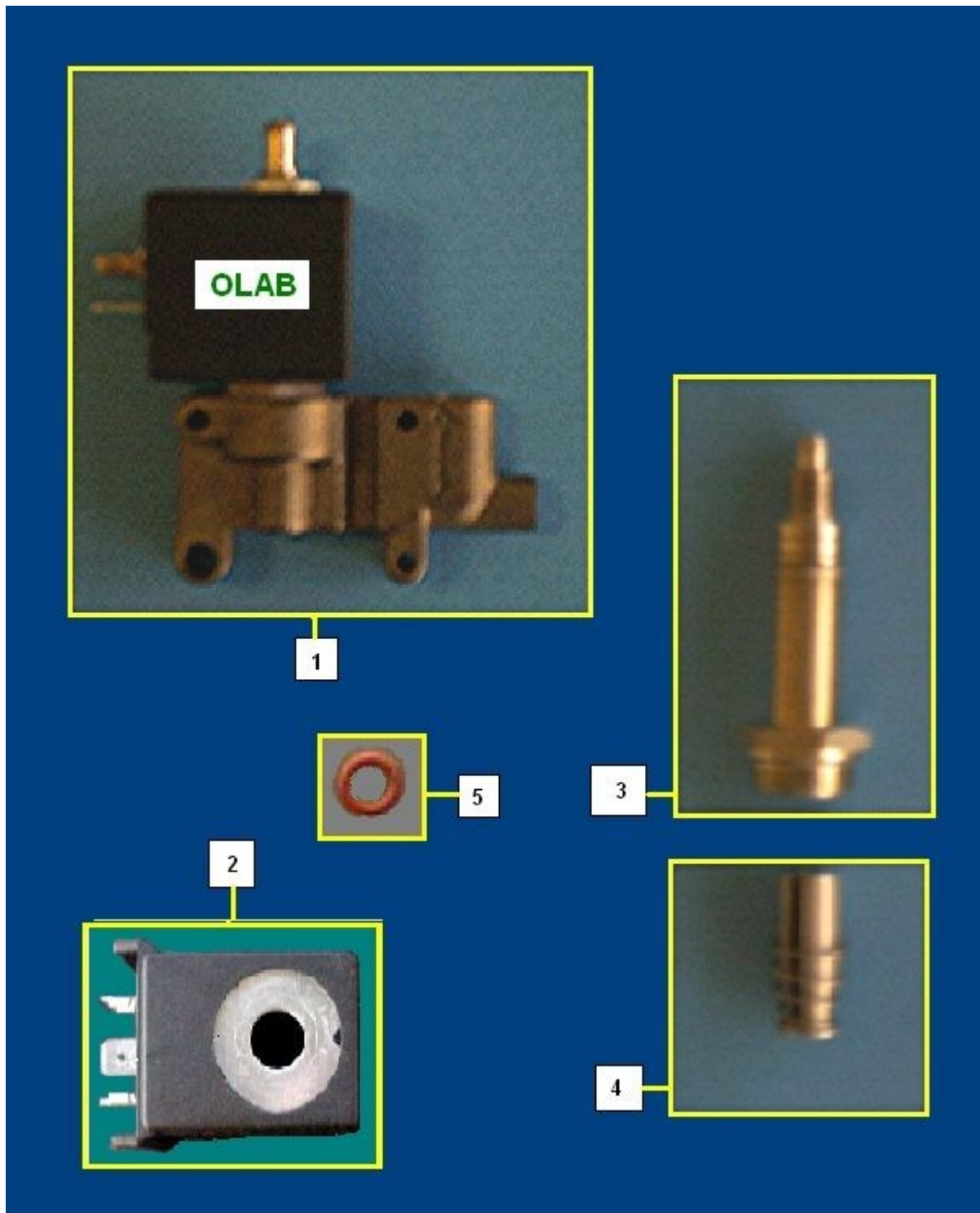
_DISTRIBUTORE PALETTE (656) - Items detail

Position	SPARE PARTS CODE VARIANT	Accessories	DESCRIPTION	For each main Item multiply q.ty by
100			See Table "KIT RETROFIT NEW SPOONS DISPENCER (597)" - Pag. 62	
200			See Table "DETTAGLI PER : TAV.PALETTIERA (626)" - Pag. 64	
300			See Table "DETAILS FOR : SPOONS DISPENCER(89)" - Pag. 52	

Tables of group :

-  **Coffee Machines**
-  **BVM 951 - Free Standing**
 -  **BV951ES01GG - BVM951 E4S MC GRAF**
 -  **HYDRAULIC COMPONENTS**

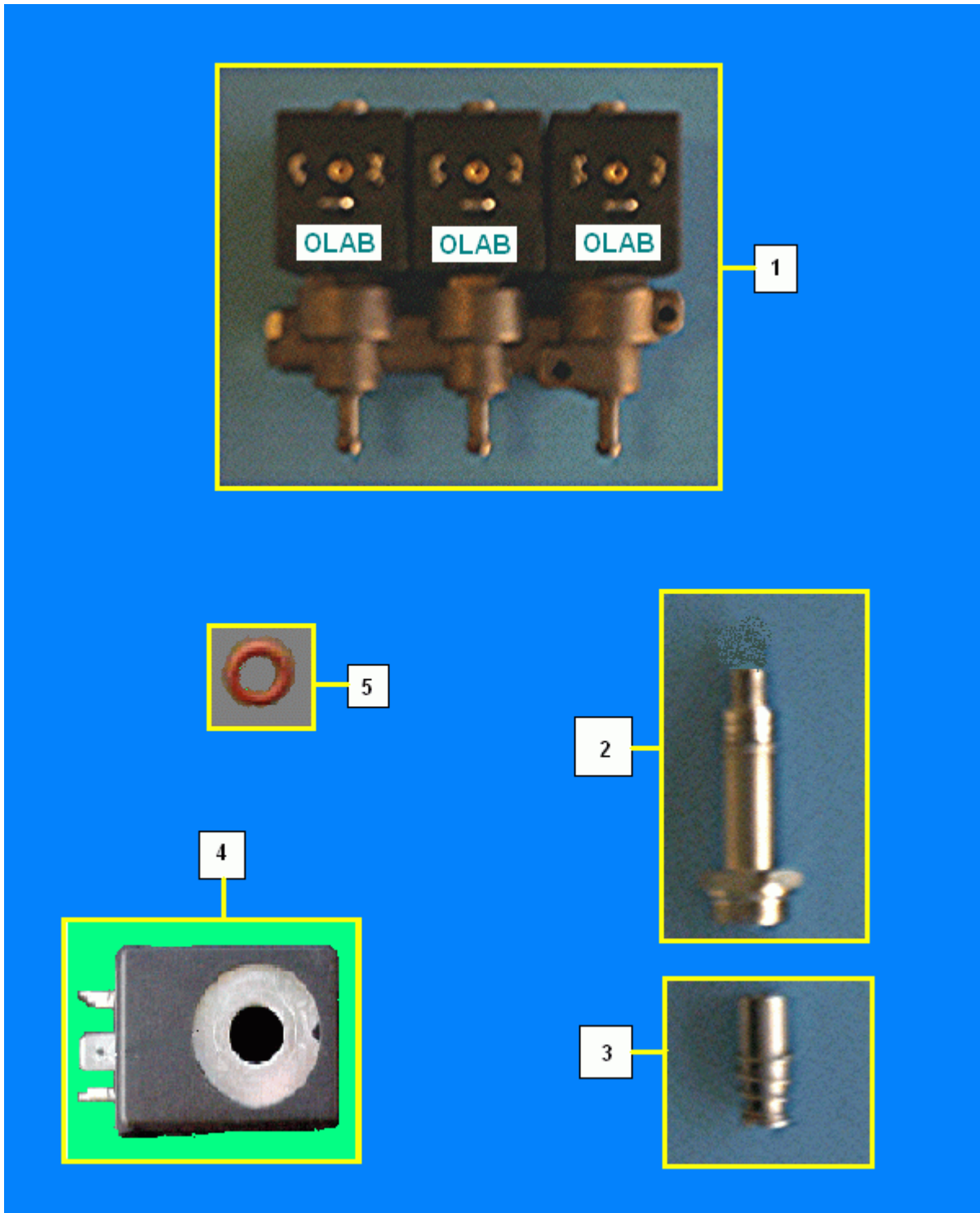
Table: ELECTROVALVE THREE WAYS OLAB(115)



ELECTROVALVE THREE WAYS OLAB(115) - Items detail

Position	SPARE PARTS CODE VARIANT	Accessories	DESCRIPTION	For each main Item multiply q.ty by
1	25020856		EL-VALV.3VIE 24V DC (0-7,5BAR)	
2	41037116		BOBINA OLAB 24V DC X 25020846	
2	41037126		BOBINA OLAB 24V AC X 25020836	
3	41037516		CANOT+NUCL.FIS.OLAB X25020836	
4	41037416		NUCLEO OLAB X 25020836 TEFL.	
5	43001316		O-RING VITON 9,63x6,07 X EV	

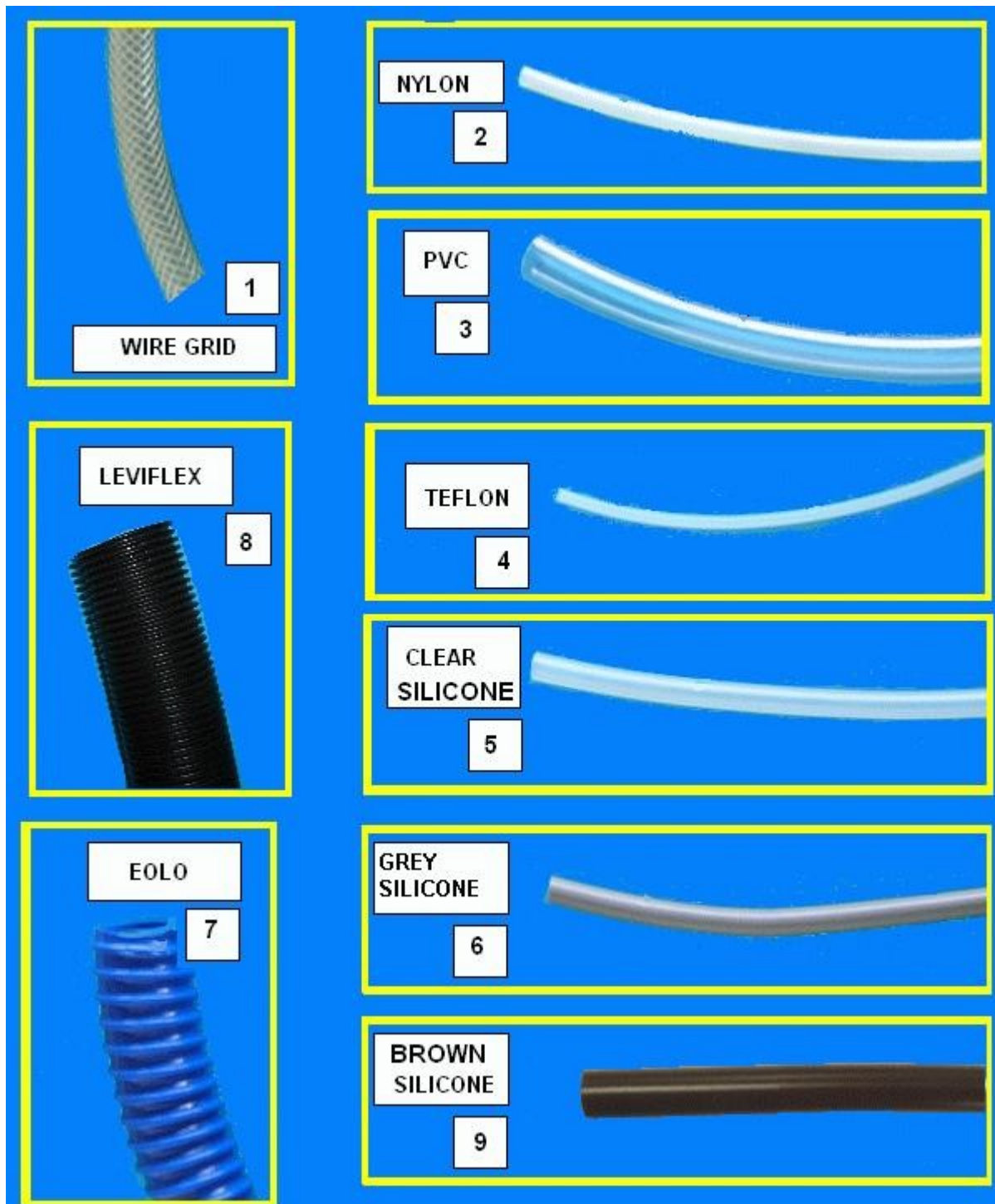
Table: ELECTROVALVES GROUP OF 3, TWO WAYS OLAB(116)



ELECTROVALVES GROUP OF 3, TWO WAYS OLAB(116) - Items detail

Position	SPARE PARTS CODE VARIANT	Accessories	DESCRIPTION	For each main item multiply q.ty by
1	25019416-01		EL-VALV.GR-3 2VIE 24V DC	
1	25019426-01		GRUPPO 3 EV.2 VIE 24V AC SIRIO	
2	41037316		CANOTTO OLAB X 25019416	
3	41037216		NUCLEO OLAB PER 25019416	
4	25019416B		BOBINA PER EV 25019416	
5	43001316		O-RING VITON 9,63x6,07 X EV	

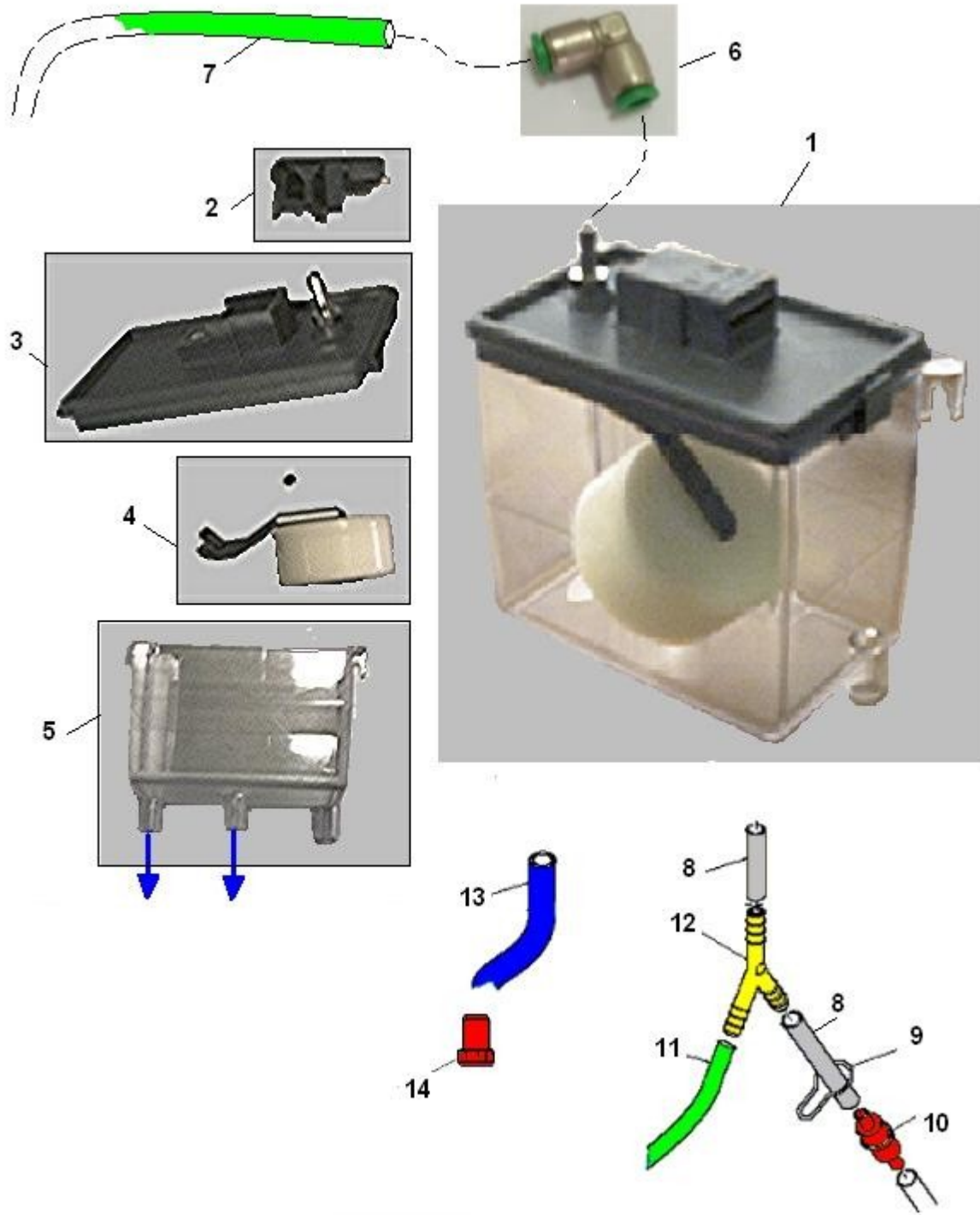
Table: PIPES(68)



PIPES(68) - Items detail

Position	SPARE PARTS CODE VARIANT	Accessories	DESCRIPTION	For each main Item multiply q.ty by
1	09094613		TUBO RETINATO 10X15 XALIMENTI	
2	09009813		TUBO NYLON 8X10	
3	09027623		TUBO PVC CRISTALLO 12X16	
3	09027643		TUBO PVC CRISTALLO 14X17	
3	09027653		TUBO PVC CRISTALLO 20X26	
3	09027663		TUBO PVC CRIST. 14x18	
4	09085413		TUBO TEFLON DM. 4X2	
4	09085423		TUBO TEFLON DM. 4X6	
5	09029763		TUBO SILIC. 5x9 TRASPARENTE	
5	09036091		TUBO SILICONE 3X5 TRASPARENTE	
5	09037141		TUBO SILICONE 4X6 TRASPARENTE	
5	09038361		TUBO SILICONE 6X9 TRASPARENTE	
5	09039311		TUBO SILICONE 8X11 TRASPARENTE	
5	09040021		TUBO SILICONE 8X12 TRASPARENTE	
6	09087823		TUBO SILICONE SEZ 5X9 GRIGIO	
6	09087833		TUBO SILICONE 6X9 GRIGIO	
6	09093441		TUBO SILICONE 3x6 REST. GRIGIO	
7	09031113		TUBO LEVIFLEX 28X33	
7	09031133		TUBO LEVIFLEX	
8	09092811		TUBO EOLO SZ 30*35	
9	09087823-01		TUBO SIL.SZ.5X 9 MARRONE	
9	09087843-01		TUBO SIL.SZ.7X11 MARRONE	
9	09087873-01		TUBO SIL.SZ.3X6 MARRONE	

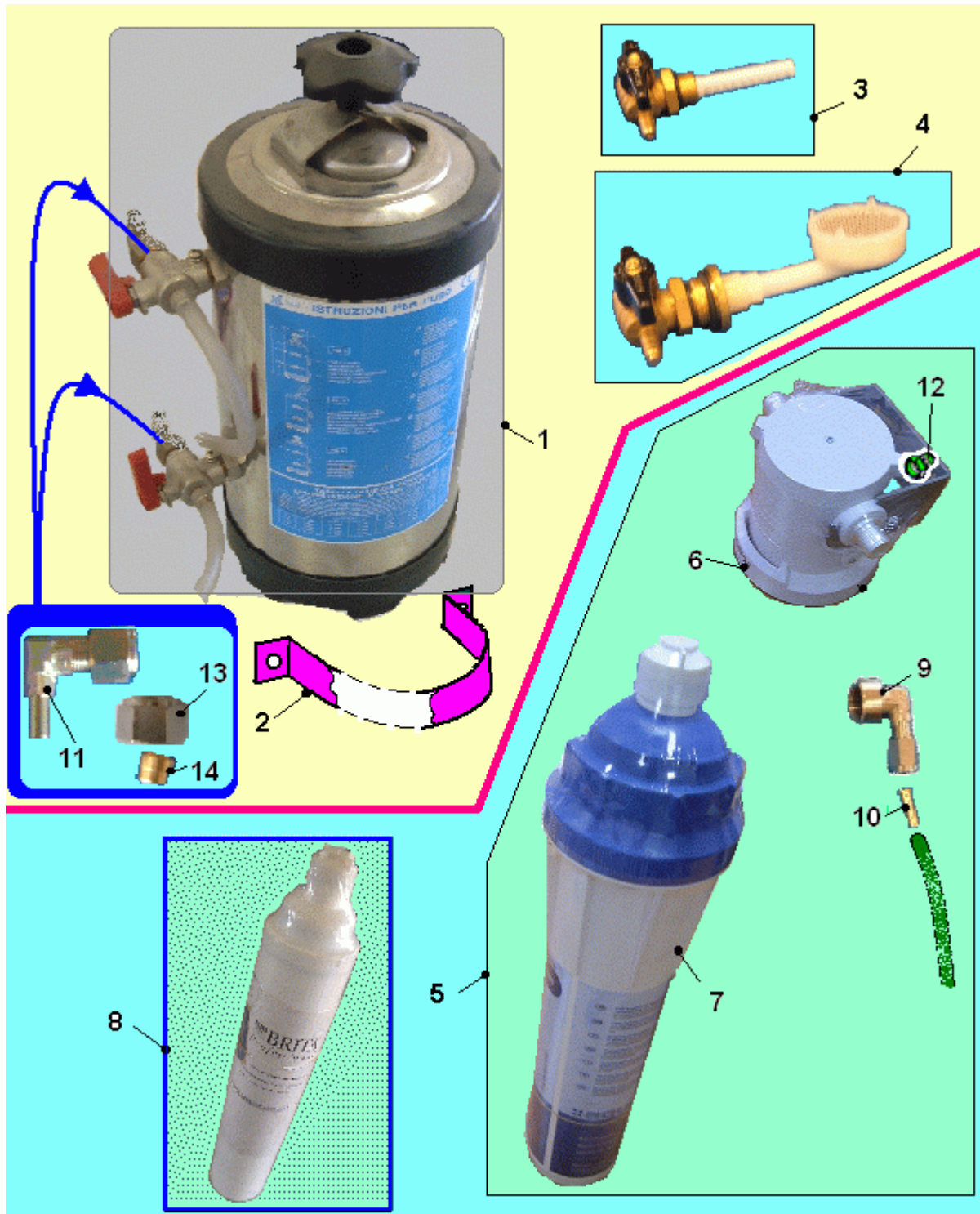
Table: NEW AIRBREAK(102)



NEW AIRBREAK(102) - Items detail

Position	SPARE PARTS CODE VARIANT	Accessories	DESCRIPTION	For each main Item multiply q.ty by
1	93012010		C/O VASCH.ACQUA PICCOLA	
2	26024316		SENSORE VASCHETTA NUOVA	
3	43001016		COPERCH. X VASCH. 93012010	
4	43000916		GALLEG. + BRAC. X VASC.93012010	
5	43001116		SERBATOIO X VASCH. 93012010	
6	04041416		RACC.GOMMA 2 ATTACCO RAP.D=6	
7	09085423		TUBO TEFLON DM. 4X6	
8	09039311		TUBO SILICONE 8X11 TRASPARENTE	
9	07010711		FERMAGLIO	
10	16014316		FILTRO ACQUA	
11	09039311		TUBO SILICONE 8X11 TRASPARENTE	
12	05240015M00		RACC.3 VIE D.ESTERNO 9 mm	
13	09027623		TUBO PVC CRISTALLO 12X16	
14	05036515		TAPPO PER TUBO DI SCARICO	

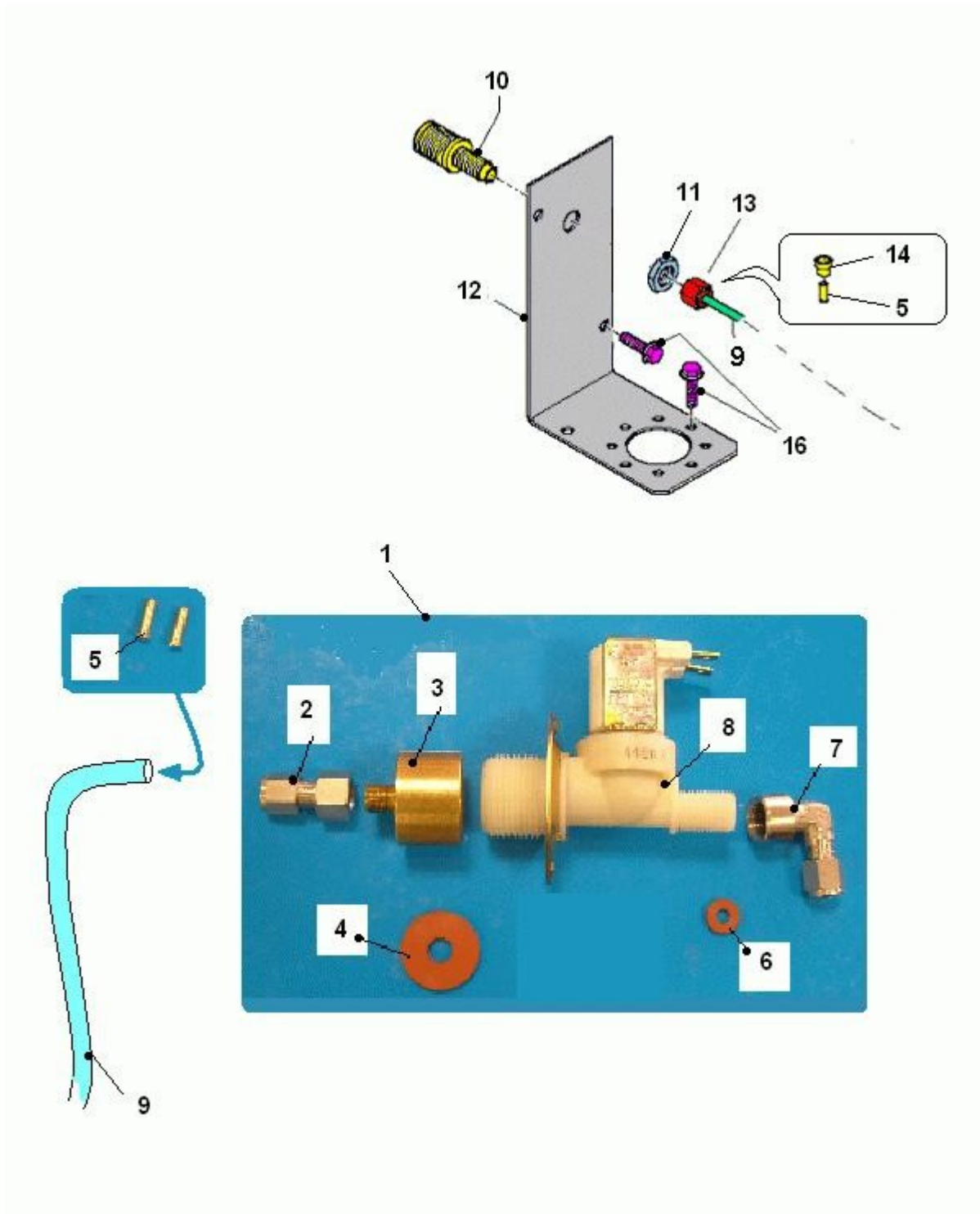
Table: WATER FILTERS(362)



WATER FILTERS(362) - Items detail

Position	SPARE PARTS CODE VARIANT	Accessories	DESCRIPTION	For each main Item multiply q.ty by
1	16005916		DEPURATORE LT. 8	
2	01197521		FASC.FISS.DEPURATORE	
3	43015516		RUBINETTO SUPER. CON FILTRO	
4	43015526		RUBINETTO INFER. CON FILTRO	
5	41076910		KIT FILTRO BRITA ANTARES/SIRIO	
6	16022116		TESTATA C/RUBIN.H2O+ STAF.BRIT	
7	16022216		FILTRO PRIMA INSTALL.1,5 BRIT	
8	43012716		CARTUC.INT.RICAMBIO FILTRO1,5	
9	04036836		RACC.GOM.6-3/8 A-235	
10	19004326		BUSSOLA DI RINFORZO	
11	04033276		RACC. A GOMITO ORIENTABILE 1/8	
12	32187216		VITE TRILOBATA TE 5X8 FLANG.	
13	04035636		DADO	
14	19046536		BUSSOLA	

Table: INLET WATER ELECTROVALVE (408)



INLET WATER ELECTROVALVE (408) - Items detail

Position	SPARE PARTS CODE VARIANT	Accessories	DESCRIPTION	For each main Item multiply q.ty by
1	25019180		ASS.EL-VALV.E-ACQUA STD BVM	
2	04035536		RACC.DIRIT.FEM.1/8GAS.A-234	
3	04000131		RACCORDO 3/4 GF 1/8GM	
4	05111016		GUARNIZIONE PIANA PER RACCORDO	
5	19004326		BUSSOLA DI RINFORZO	
6	05111026		GUARNIZ.PIANA AL SILICONE	
7	04036846		RACCORDO A GOMITO	
8	25000146		EL-VALV.E-ACQUA 24V DC.	
9	09085423		TUBO TEFLON DM. 4X6	
10	04040716		RACC.DIRI 1/8-3/8 GMCI	
11	04014131		DADO ESAGONALE 1/8 GAS	
12	01525111-02		SQUAD.SUPP.EL-VALV.OR-SI-ANT	
13	04035726		RAC.DRIT.1/4GF-6 SEN.DADO-BUS.	
14	19046526		BUSSOLA DI ANCORAGGIO A6	
15	09085423		TUBO TEFLON DM. 4X6	
16	32187216		VITE TRILOBATA TE 5X8 FLANG.	

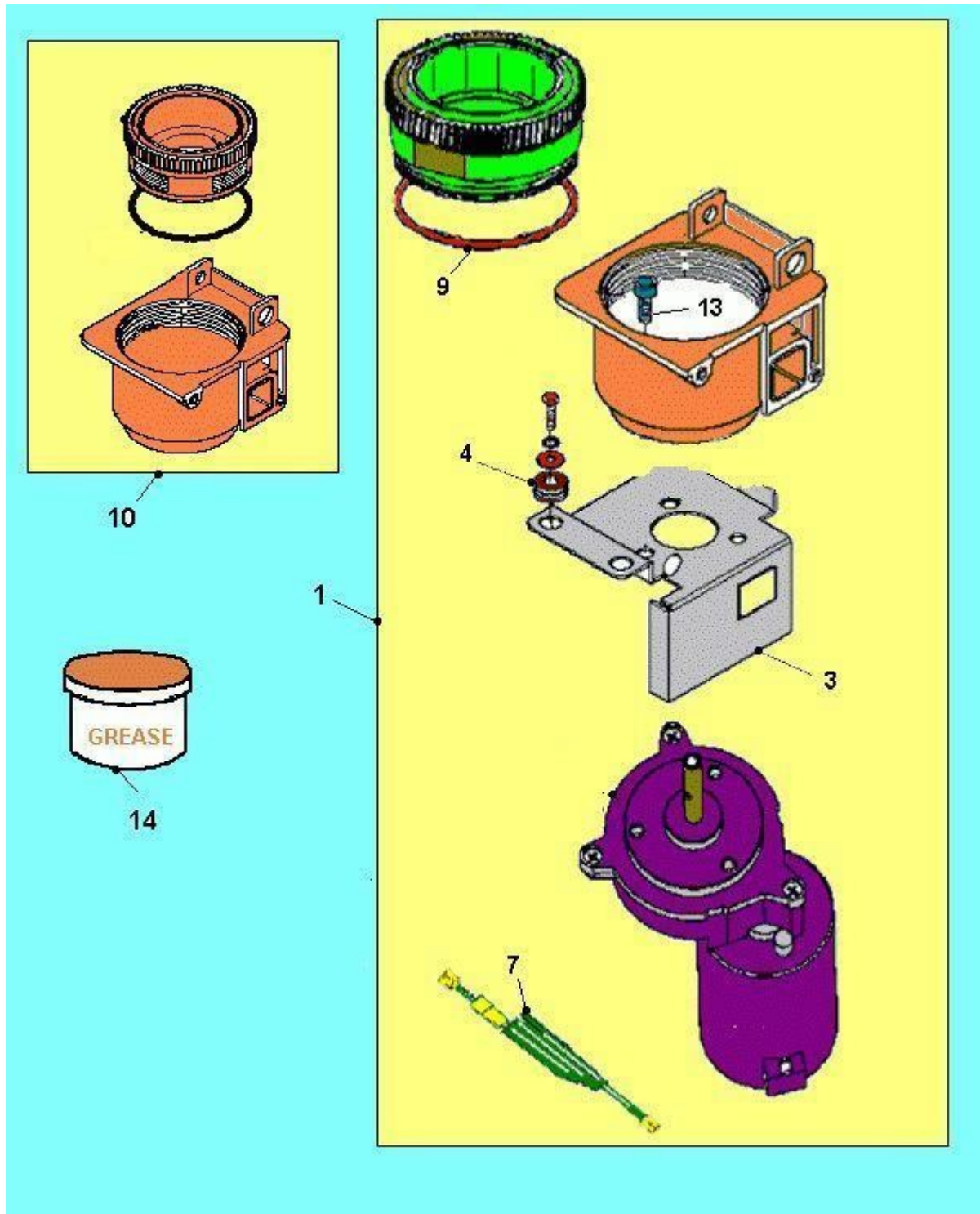
WATER PUMP AND FLOWMETER (403) - Items detail

Position	SPARE PARTS CODE VARIANT	Accessories	DESCRIPTION	For each main item multiply q.ty by
1	09029763		TUBO SILIC. 5x9 TRASPARENTE	
2	27003316		EL-POMPA ULKA EX5 230V-50H	
3	04040916		VALVOLA DI SICUREZZA	
4	04041016		VALVOLA DI NON RITOR.MASC-FEMM	
5	05240015M00		RACC.3 VIE D.ESTERNO 9 mm	
7	24012116		RILEVATORE DI FLUSSO	
9	07016416-01		SUPPORTO POMPA	
10	09085423		TUBO TEFLON DM. 4X6	
11	05102215		RIDUZIONE	
11	05102225		RIDUT.CAM-MISCELAZ.MARRONE	
13	09087823-01		TUBO SIL.SZ.5X 9 MARRONE	
14	19046526		BUSSOLA DI ANCORAGGIO A6	
15	19004326		BUSSOLA DI RINFORZO	
16	04035626		DADO DI BLOCCAGGIO A6	
17	04034616		RACCORDO A GOMITO	
18	07017711		MOLLA SERPENTINA THE	

Tables of group :

 **Other tables**

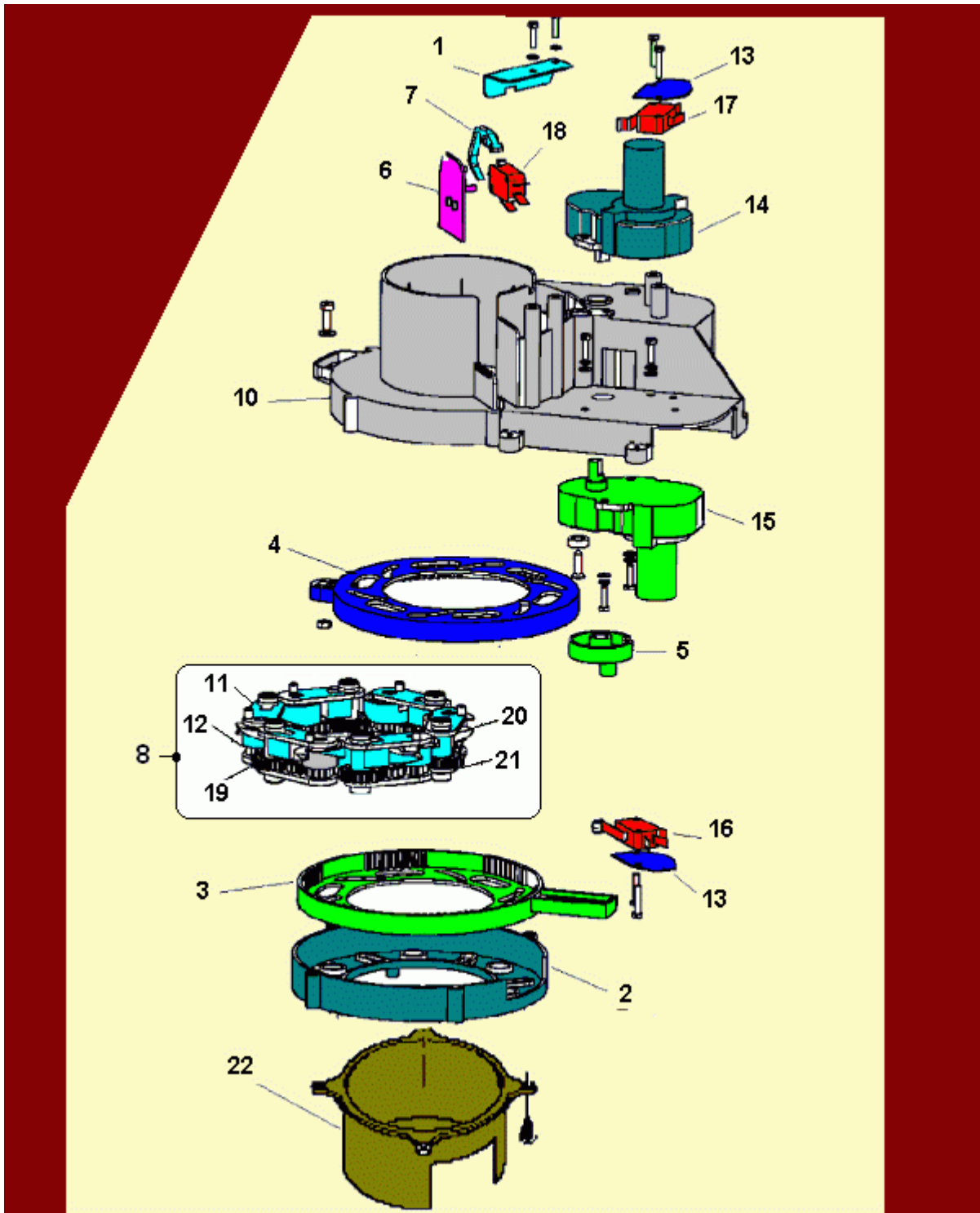
Table: VERTICAL GRINDER ASSEMBLY(30)



VERTICAL GRINDER ASSEMBLY(30) - Items detail

Position	SPARE PARTS CODE VARIANT	Accessories	DESCRIPTION	For each main Item multiply q.ty by
1	41038520		KIT MACININO 24V AMETEK	
3	01586921		SUPP. XMACININO AMETEK	
4	23004086		PASSACAVO DM. 6X15 GOMMA	
7	22126622		PROTEZ.MOT.MAC. AMETEK FAST4,8	
9	36211316		O-RING 3262 NBR 70Sh	
10	43018910		ASSIEME CAMERA MACINATURA	
13	32135316		VITE TCEI 6MAX12 ZN	
14	43028311		SCATOLA GRASSO ALIMENTARE 40g	

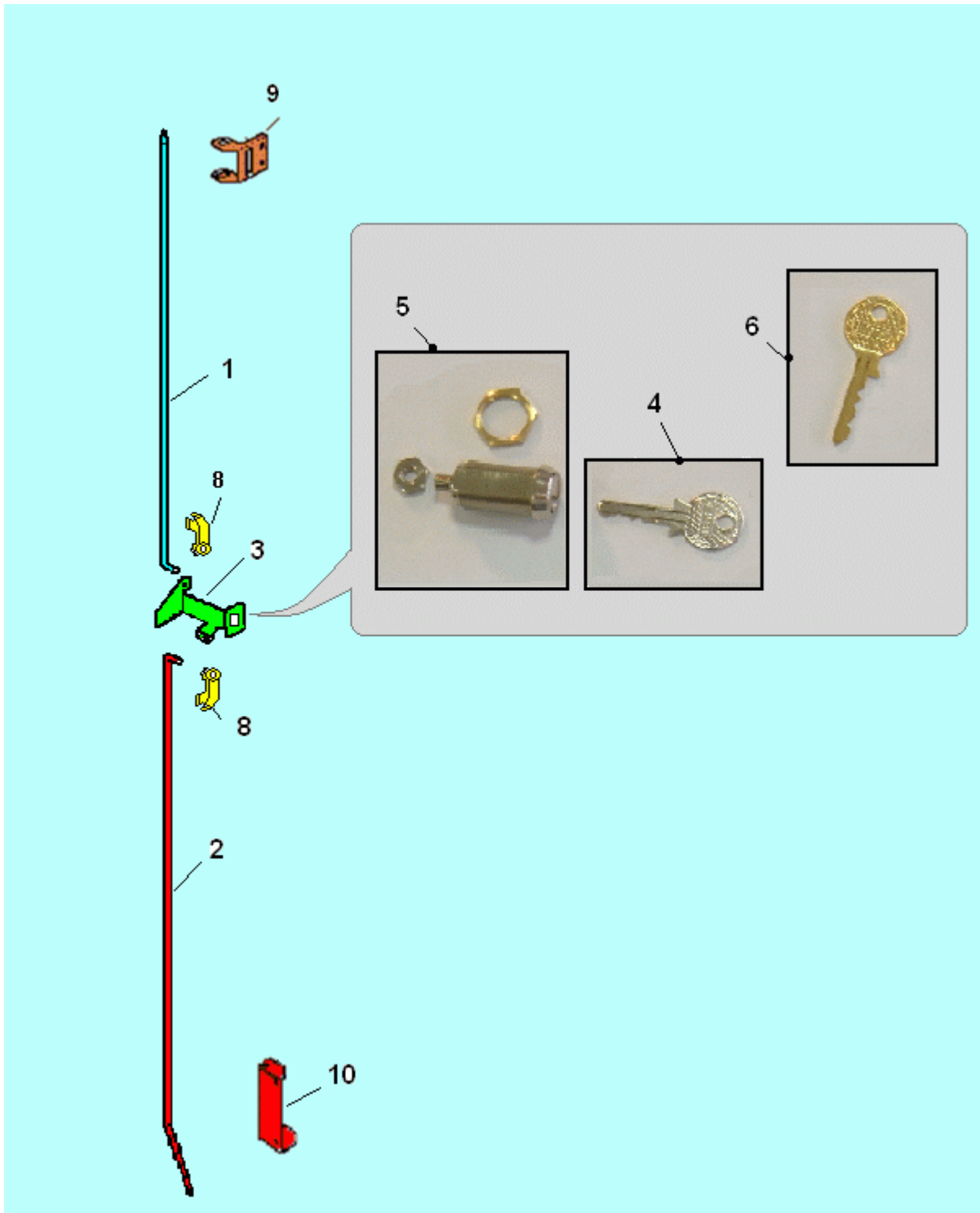
Table: BIANCHI CUP DISPENCER (27)



BIANCHI CUP DISPENCER (27) - Items detail

Position	SPARE PARTS CODE VARIANT	Accessories	DESCRIPTION	For each main Item multiply q.ty by
1	01576411		SQUADRA SUPP. MICRO	
2	05120615M37		COPERCH.INF.SG-BIC MARRONE	
3	05120815M37		GHIERA ESPULS.BICCH. MARRONE	
4	05120915M37		GHIERA REGOL.DIAM.SG-BIC MARR.	
5	05121115		CAMMA MOVIMENTAZ. GHIERA	
6	05121215		SUPPORTO MICRO	
7	05121315-02		SENSORE PRESENZA BICCHIERI	
8	05131010		GRUPPO AZIONAM.SG-BICCH.	
10	05140115M37		COPERCH.SUP.C/POP-ALTE MARRON	
11	05121915		SUPP.SUP.CHIOCCIOLA SG-BIC	
12	05121715		PIGNONE FOLLE SG-BIC	
13	08004111		ISOLANTE MICRO	
14	20018416-01		MOTORID.24VDC 12RPM 2,2nF 100V	
15	20019316-01		MOTORID. 24VDC XXGM 2,2nF 100V	
16	26005136		MICRO CON ROTELLA XGM2-81-S21	
17	26005156		MICRO C/LEVA SAGOMATA	
18	26017016		MICRO S/LEVA 10GR. -BT-	
19	05121515		CHIOCCIOLA X SG-BIC	
20	05121615		PIGNONE MOV.CHIOCCIOLA SG-BIC	
21	05121815		SUPP.INF.CHIOCCIOLA SG-BIC	
22	05121015		IMBUTO BICCH. SGANCIABICCHIERI	

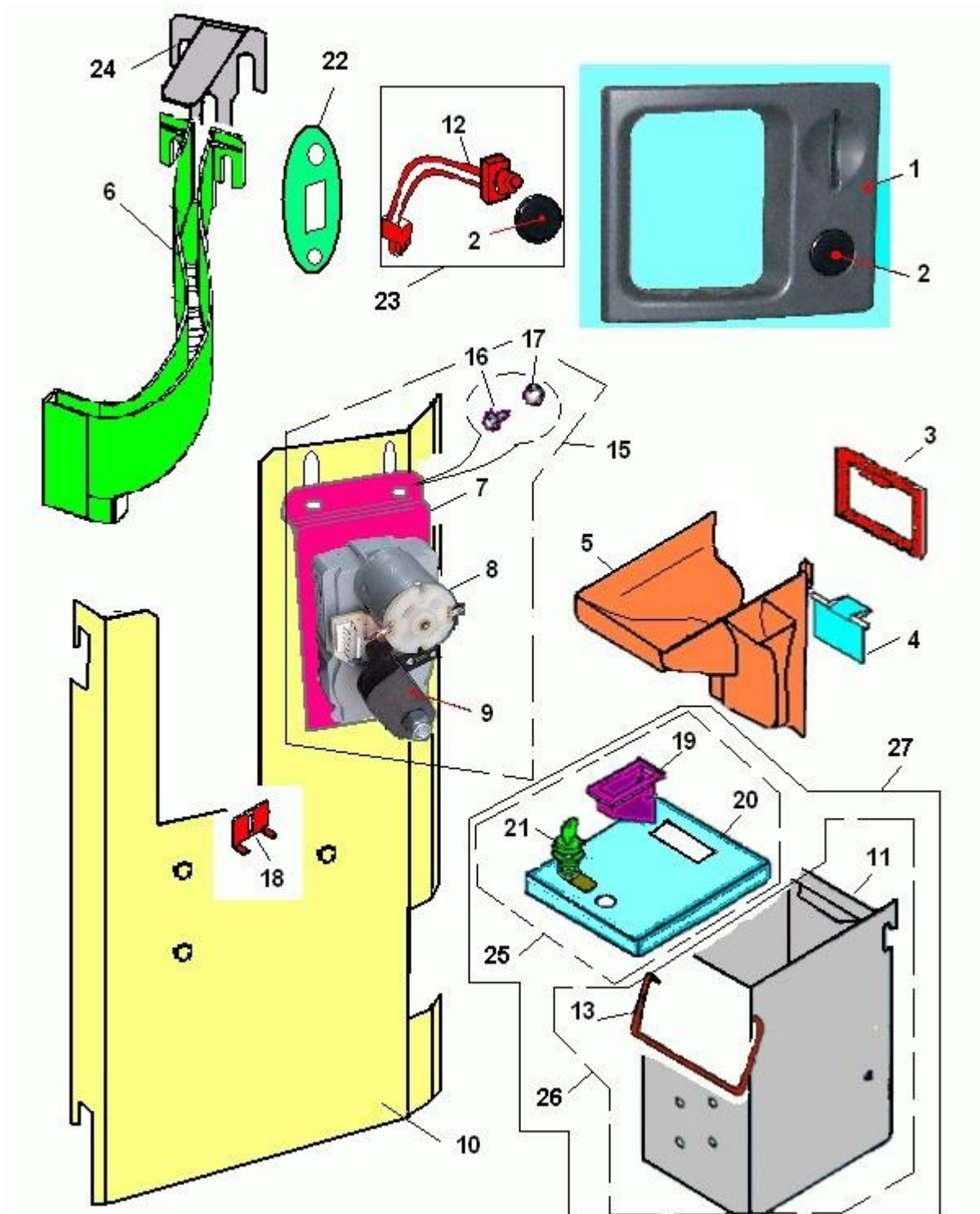
Table: LOCK (400)



LOCK (400) - Items detail

Position	SPARE PARTS CODE VARIANT	Accessories	DESCRIPTION	For each main Item multiply q.ty by
1	12011461		ASTINA X SERRATURA ANTARES	
2	12017011		ASTA INFER. X PORTA ANTARES	
3	01786311		LEVA SERRATURA A 2 ASTE BVM95	
4	41029836		CHIAVE SERR.RIELDA X MANIGL.EM	
5	41029616		SERRATURA MOD.511.0 A/S/O/P	
6	43001726		CHIAVE SBLOC SER.RIELDA x EMKA	
8	07014116		CLIPS	
9	01522611-01		STAFFA SUP. SERR. ANTARES	
10	01532911		STAFFA X ASTA INF.PORTA ANTAR	

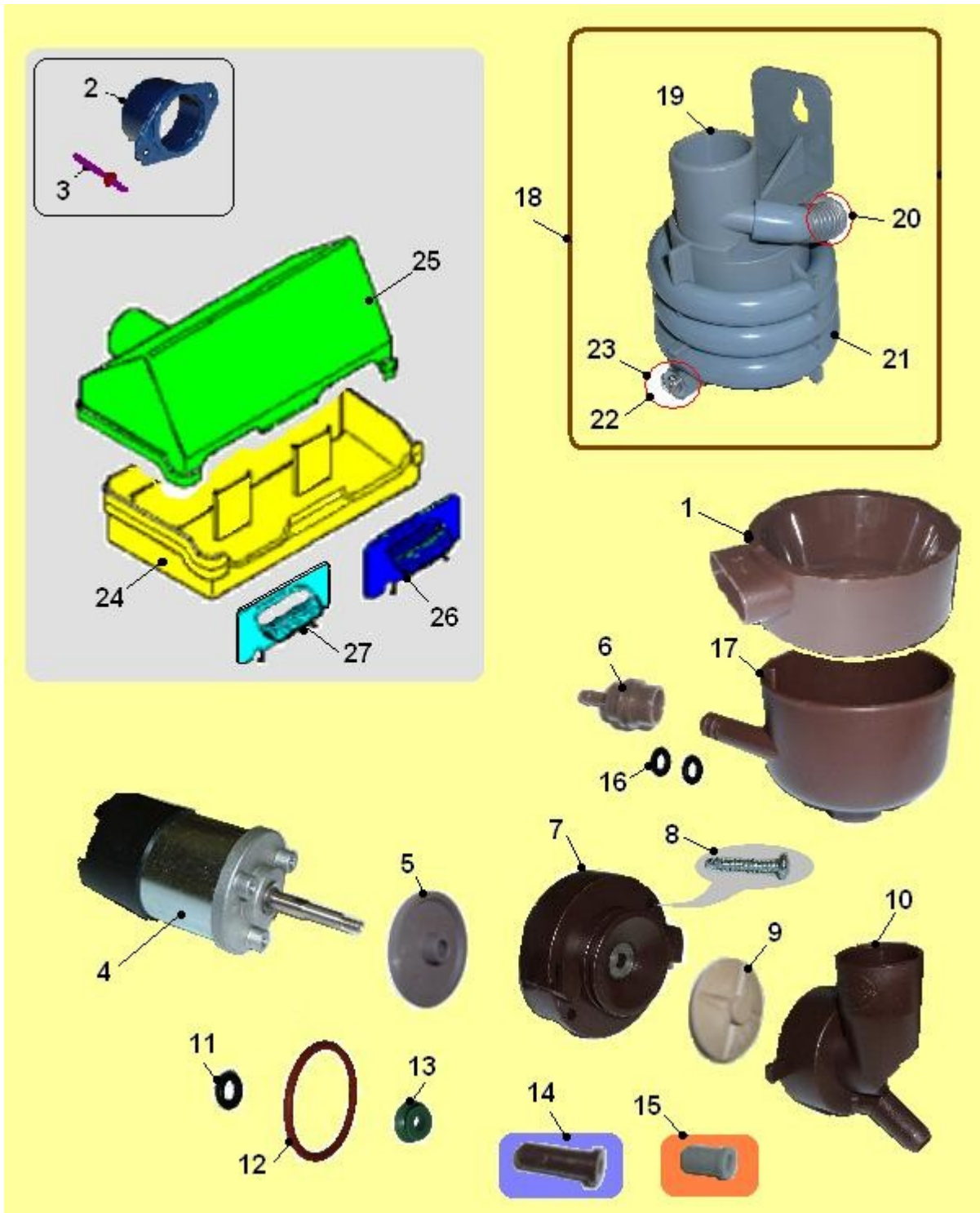
Table: COIN INTRODUCTION AND COIN BOX (391)



COIN INTRODUCTION AND COIN BOX (391) - Items detail

Position	SPARE PARTS CODE VARIANT	Accessories	DESCRIPTION	For each main item multiply q.ty by
1	05232215M30		MASCHE.INTROD.MONETE+M/S GRAF	
2	05232315M09		PULSANTE RENDIRESTO NERO	
3	05139215M30		MASCH.RECUPERO MONETA GRAF	
4	05083115M30		PORTEL.RECUP.MON.GRAF	
5	05233615-01M37		CANALE RECUPERO MONETE MARRON	
6	05233515M37		SCIVOLO INTROD. MONETE MARRON	
7	01799011-01		SUPP.MOTORINO RENDIRESTO	
8	20031216		MOTORIDUTTORE PER RENDIRESTO	
9	05192815		CAMMA PER ATTUATORE RENDIMONE	
10	01800312		ASS.SUPPORTO GETTONIERA	
11	01680112-01		ASS.CASSETTA MONETE C/GANCIO	
12	26019492		ASS.PULSANTE RENDIMONETE	
13	12028011		MANIGLIA PER CASSETTA MONETE	
15	96065520		ASS.MOTOR.RENDIM.BVM951/971	
16	32122916		VITE TE 5MAX10 CR ZIGR ZNB	
17	34115416		DADO MA5 CON RONDELLA	
18	01214411		SQUADRETTA FISSAGGIO GETTONIER	
19	05006315		BOCCHETTA PER CASSETTA MONETA	
20	01798011-01		COPERCHIO CASSETTA MONETE	
21	21011416		SERRATURA RAPIDA	
22	01796011		PIASTRINA SUPPORTO PULSANTE	
23	43018810		ASS.PULSANTE RENDIMON C/CAP	
24	01807111		TETTO SCIVOL.MONETE IN PLASTI	
25	41079710-01		KIT COPER.CASSA MON.BV951/971	
26	43024710		ASS. CASSETTA MONETA C/MANIGLI	
27	96056320-01		C/O CASSETT.MONETA BVM	

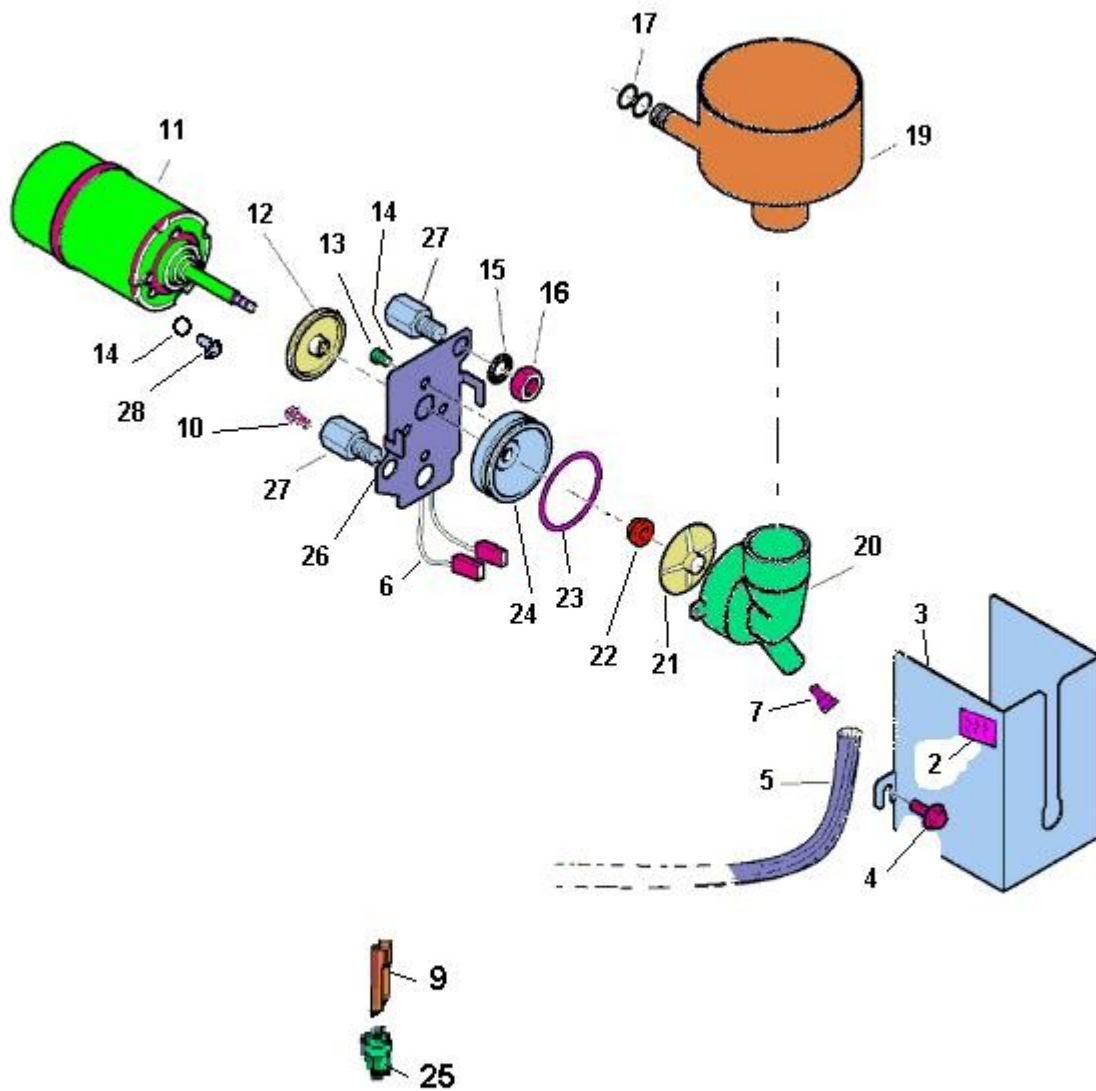
Table: MIXERS COMPONENTS (405)



MIXERS COMPONENTS (405) - Items detail

Position	SPARE PARTS CODE VARIANT	Accessories	DESCRIPTION	For each main Item multiply q.ty by
1	05113825		COPERCH.ASPIRAT.(MISC.BIA)MAR	
2	05071915		BOCCHETTONE PER ASPIRATORE	
3	33050126		RIVETTO D.3,2X8	
4	20020016-01		MOTOFR.24V.DC ALB-FILET.S/CABL	
5	05154015		DISCO PROTEZ. MOTOFRULLATORE	
6	05132525		RACC.P-GOMMA TB 3x5 MARRONE	
7	05133242		FLANG.MISCELAZ.POM C/ROND.MAR	
8	32224356		VITE AUTOF.TMTB 3,9x22 S/PUNTA	
9	05111825		GIRANTE MISC.COPP-RISC.	
10	05111625		CAMERA MISCELAZ.(BIANCHI)MARR	
11	36210416		GUARNIZIONE OR 2018	
12	36210716		GUARNIZIONE OR 3131 SIL.	
13	36351215		GUARNIZIONE V SEAL V-SEAL VERD	
14	05102225		RIDUT.CAM-MISCELAZ.MARRONE	
15	05132015M37		RIDUT.PORTATA LATTE MARRONE	
16	36203816		O-RING 106 6,75/1,78	
17	05113745		COPPETTA MISCEL.PED-L=10 MARR	
18	43027810		ASS.SERPEN.THE PLS ANT-PEG MAR	
19	05141825		SUPP.SERPENT.THE PLS MARRONE	
20	07017711		MOLLA SERPENTINA THE	
21	09087843-01		TUBO SIL.SZ.7X11 MARRONE	
22	32010216		VITE A/F 3x10	
23	35168616		ROND-PIANA D. 3,2X9X1 ZN	
24	05117025		CASSET.ASPIR.2 VAP.MARRONE	
25	05117125		COPERCH.CASS-ASPIR.2 VAP.MARR	
26	05117215		TAPPO CASSETT. ASPIR. VAPORI	
27	05117615		BOCCHETT. CASSET. ASPIR. VAPOR	

Table: PREHEATED MIXING CHAMBER (406)



PREHEATED MIXING CHAMBER (406) - Items detail

Position	SPARE PARTS CODE VARIANT	Accessories	DESCRIPTION	For each main item multiply q.ty by
2	30069411-01		TARGH.AVVERT.TEMPERATURA	
3	01601111-03		COPERT.CAMERA RISCALDATA	
4	32227256		VITE AUTOF. 3,9X9,5 SENZA PUNT	
5	09087823		TUBO SILICONE SEZ 5X9 GRIGIO	
5	09087823-01		TUBO SIL.SZ.5X 9 MARRONE	
6	29004216		RESISTENZA FLESS. E.F.20w 24V	
7	05102225		RIDUT.CAM-MISCELAZ.MARRONE	
9	05099715-01		UGELLO CAPILLARE L=48	
10	32050516		VITE TE M4 x 10C.R.ZN	
11	20020016		MOTOFR. 24V.DC ALB-FILET.	
11	20020016-01		MOTOFR.24V.DC ALB-FILET.S/CABL	
12	05154015		DISCO PROTEZ. MOTOFRULLATORE	
13	32060416		VITE TC4MAX8 ZINC.	
14	35160316		ROSETTA DENT. D. 4,2 ZN	
15	35160616		ROSETTA DENTATA D. 8,3	
16	34103116		DE UNI 5588 6SM8 ZIN	
17	36203816		O-RING 106 6,75/1,78	
19	05113725		COPPETTA MISCEL.GRIGIO BROWN	
20	05137615		CAMERA MISCELAZIONE	
21	05111825		GIRANTE MISC.COPP-RISC.	
22	36351215		GUARNIZIONE V SEAL V-SEAL VERD	
23	36212516		O RING 29.74X2.95 VITON	
24	19033441		BASE X FRULLATORE NUOVA	
25	05099615		BUSSOLA	
26	01123821		SUPPORTO COPPETTA PASSO 61,5	
27	19056531		DADO	
28	32050416		VITE TE M4X8 C/R ZN	

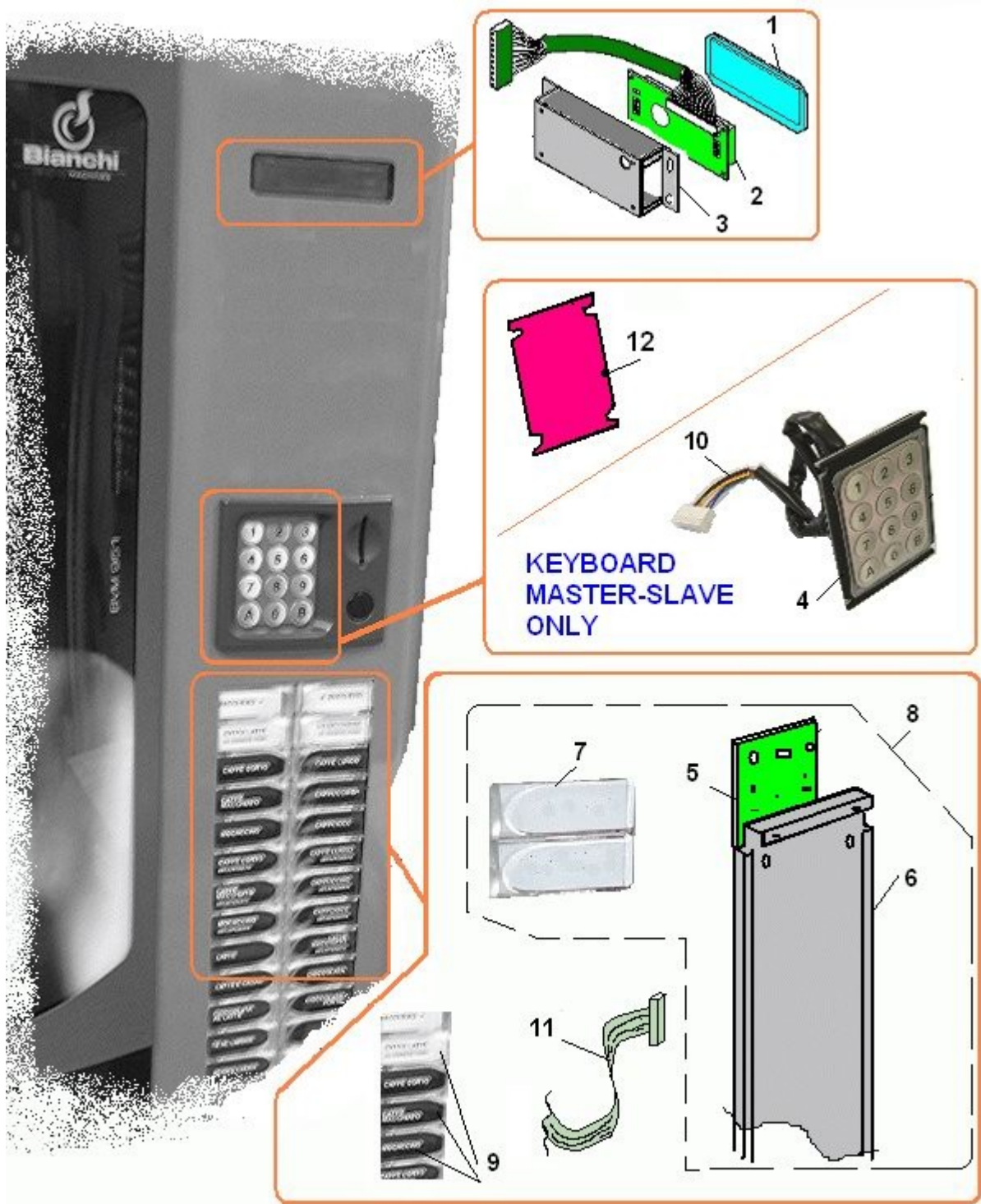
Table: MOTORS (401)



MOTORS (401) - Items detail

Position	SPARE PARTS CODE VARIANT	Accessories	DESCRIPTION	For each main Item multiply q.ty by
1	20016916-02		MOT.24VDC 40G/M S/CABL.PLS	
2	20017016-02		MOTORID. 24VDC 100G/M S/CABLA	
4	35160516		ROSETTA	
5	32130616		VITE TE 6MA X 16 ZIN .CROCE	

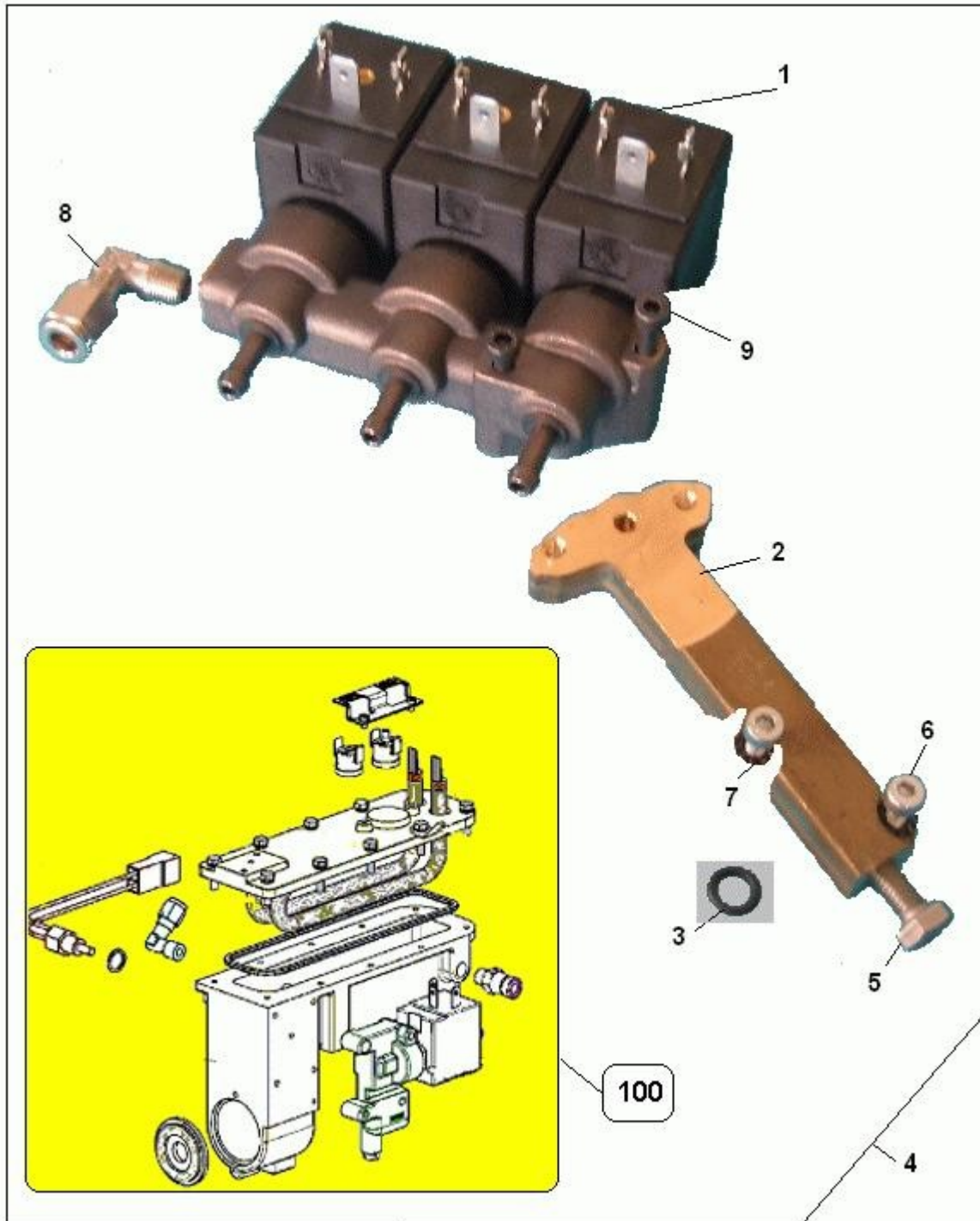
Table: KEYPAD DISPLAY (390)



KEYPAD DISPLAY (390) - Items detail

Position	SPARE PARTS CODE VARIANT	Accessories	DESCRIPTION	For each main Item multiply q.ty by
1	05232515M00		VETRINO DISPLAY	
2	26047916		NEW DISPLAY 16X2	
3	01793011		LAMIERA SUPPORTO DISPLAY	
4	30100926		PULSANTIERA M/S IN METAL.A e	
5	26048016		SCHEDA PULSANTIERA BVM951/971	
6	01795112		ASS.LAMIERE PULSANTIERA	
7	05232415M00		PULSANTE SELEZIONE	
8	26048220		ASSIEME PULSANTIERA BVM951	
9	30262811		ETICHETTE SELEZIONE BVM951/97	
10	22170812		FLAT TAST. NUM.METAL. AB VEGA	
11	22175422		FLAT CABLE 16 VIE L=900mm	
12	01806311		PIASTRINA RINF.FERITOIA M/S	

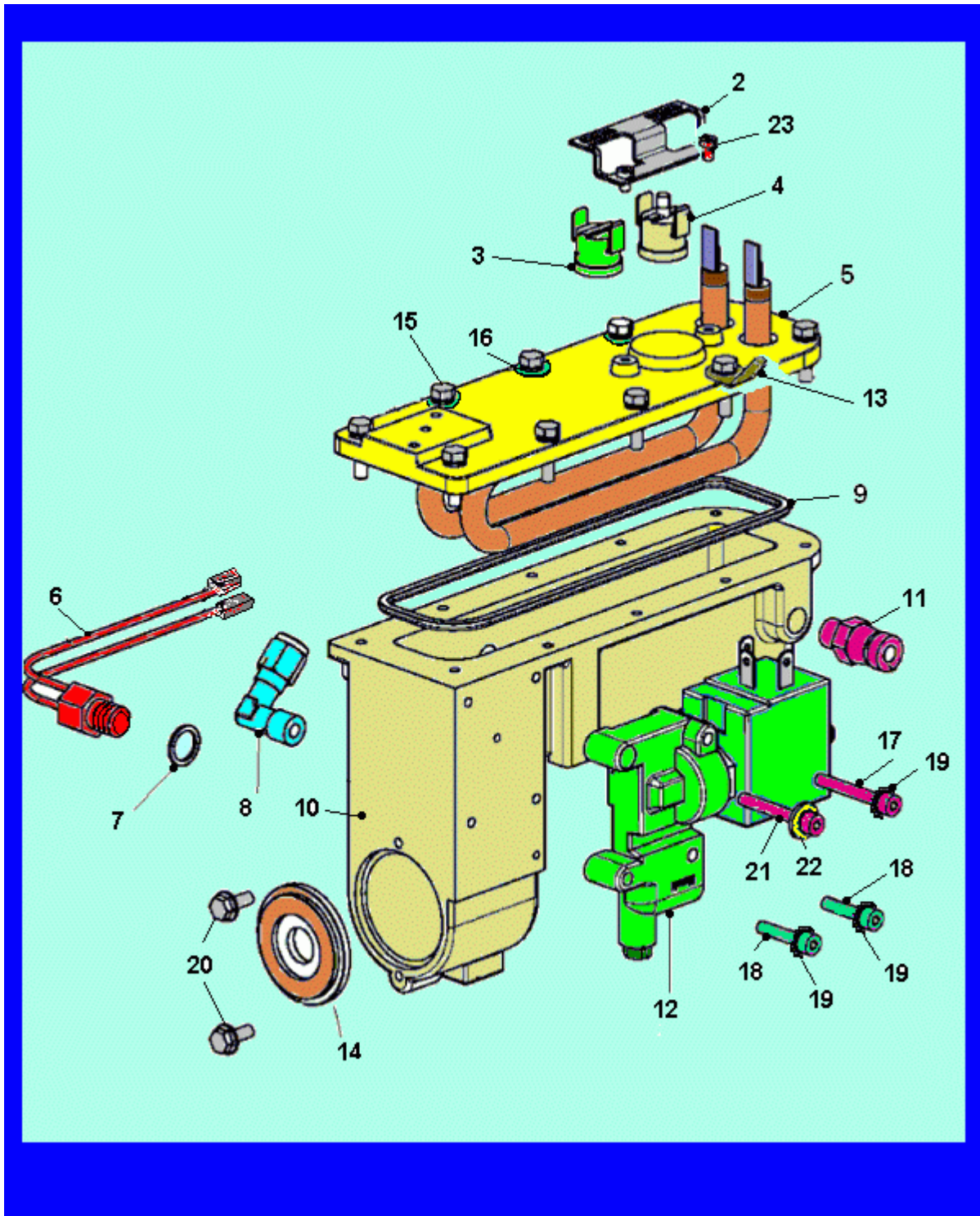
Table: ESPRESSO BOILER ASSEMBLY W/INSTANT ELEC.VALVES (579)



ESPRESSO BOILER ASSEMBLY W/INSTANT ELEC.VALVES (579) - Items detail

Position	SPARE PARTS CODE VARIANT	Accessories	DESCRIPTION	For each main Item multiply q.ty by
1	25019416-01		EL-VALV.GR-3 2VIE 24V DC	
2	19059411-01		DISTANZIALE X BLOCCO EV NUOVO	
3	36350116		O-RING 2025 VITON	
4	85003320		ASS.CALD.GB ANTARES ES 5S STD	
5	32125336		VITE TE 6 MA X 12 IX	
6	32065616		VITE TCE 4x16	
7	35160316		ROSETTA DENT. D. 4,2 ZN	
8	04035326		RACC.GOMITO	
9	32068316		VITE TCEI 4MAX35	
100	See Table "COMPONENTI CALDAIA ESPRESSO (599)" - Pag. 102			

Table: COMPONENTI CALDAIA A ESPRESSO (599)



COMPONENTI CALDAIA ESPRESSO (599) - Items detail

Position	SPARE PARTS CODE VARIANT	Accessories	DESCRIPTION	For each main Item multiply q. ty by
2	01599411		MOLLETTA FISSAGGIO CLIXON	
3	25020516		CLIXON 110° MIN.	
4	25020616-01		CLIXON TY6OR 135 SC. LIBERO	
5	29004312-01		RESIST. 1500W C/F 220V INOX	
6	26050826		SENSOR.TEMPERAT.CON NTC+CONNET	
7	18002516		GUARNIZIONE RAME	
8	04035326		RACC.GOMITO	
9	05143815		GUARNIZ. FLANGIA	
10	13008011		CORPO CALDAIA GRUPPO CAFFE' NB	
11	04040316		VALVOLA DI SCARICO	
12	25020856		EL-VALV.3VIE 24V DC (0-7,5BAR)	
13	23020626		LINGUETTA MASCHIO 6.3x0.8	
14	18007011		RONDELLA FERMO PISTONE OT58	
15	32055536		VITE TE 4x16 INOX	
16	35153426		ROSETTA ELAST. D. 4,3 IX	
17	32068216		VITE TCEI 4MAX30 P.FIL. BR	
18	32067916		VITE TCEI 4MAX20	
19	35160316		ROSETTA DENT. D. 4,2 ZN	
20	32050516		VITE TE M4 x 10C.R.ZN	
21	32068116		VITE TCEI 4MA x 25 PF.	
22	35157616		RONDELLA	
23	32025116		VITE TC 3MAX5	